



Wiremold

2HUB

2-Inch Conduit Hub Fitting INSTALLATION INSTRUCTIONS

Installation Instruction No.: 1 010 592 – February 2012

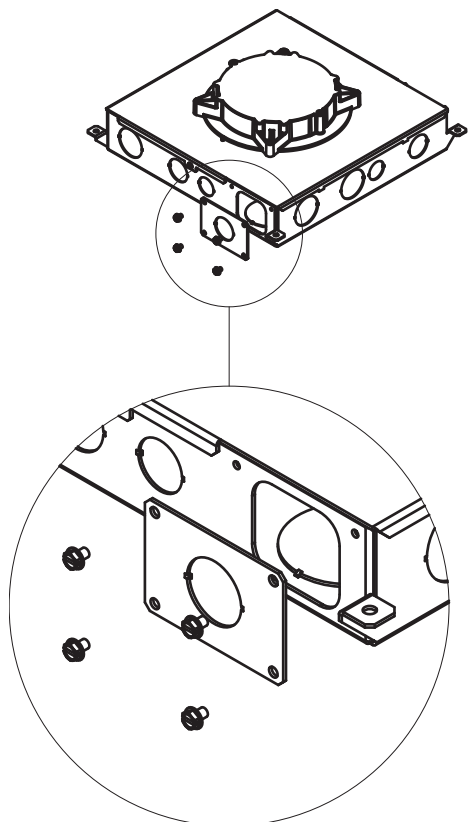
Legrand/Wiremold electrical systems conform to and should be properly grounded in compliance with requirements of the current National Electrical Code or codes administered by local authorities.

All electrical products may present a possible shock or fire hazard if improperly installed or used. Legrand/Wiremold electrical products may bear the mark of a Nationally Recognized Testing Laboratory (NRTL) and should be installed in conformance with current local and/or the National Electrical Code.

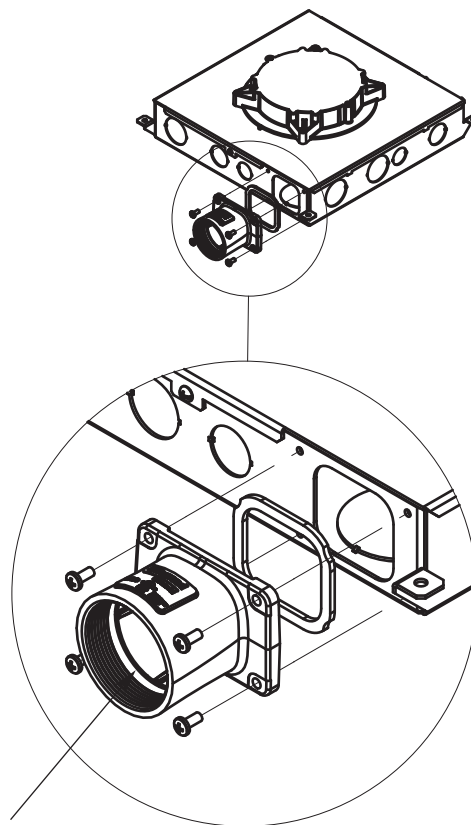
IMPORTANT: Please read all instructions before beginning.

PRODUCTS COVERED: Floor Box Conduit Fitting Cat. No. 2HUB

Step 1. Remove existing plate and #10-32 x 1/4" hex screws from side of RFB4E floor box.



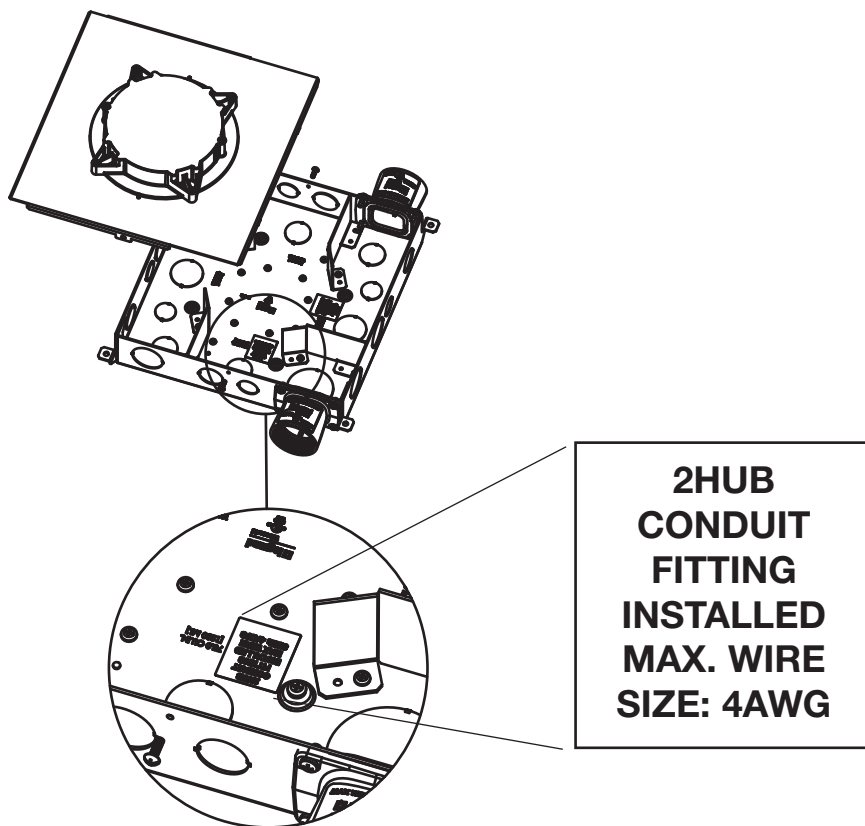
Step 2. Position gasket between 2-inch conduit hub fitting and floor box and mount conduit hub fitting with (4) #10-32 x 7/16 in. screws provided. Tighten screws to 2 ft-lbs. (3 N-m).



Plastic Throat Bushing (included)

CAUTION: Ensure plastic throat bushing is inserted in place in front of conduit thread

Step 3. Place label next to “Volume Marking” in front of compartment where the 2HUB has been installed.



Wiremold

WIREMOLD

U.S. and International:

60 Woodlawn Street • West Hartford, CT 06110
1-800-621-0049 • FAX 860-232-2062 • Outside U.S.: 860-233-6251

Canada:

570 Applewood Crescent • Vaughan, Ontario L4K 4B4
1-800-723-5175 • FAX 905-738-9721

