



Walker® Infloor Systems

525 Series

Power Service Fittings

INSTALLATION INSTRUCTIONS

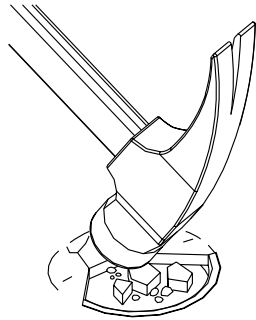
Installation Instruction No.: 1 003 339 R1 – December 2003

Walker® electrical systems conform to and should be properly grounded in compliance with requirements of the current National Electrical Code or codes administered by local authorities.

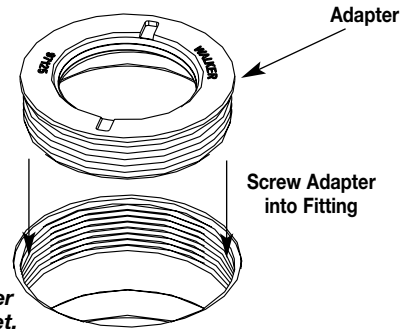
All electrical products may present a possible shock or fire hazard if improperly installed or used. Walker electrical products may bear the mark as UL Listed and/or Classified and should be installed in conformance with current local and/or the National Electrical Code.

IMPORTANT: Please read all instructions before beginning.

STEP 1

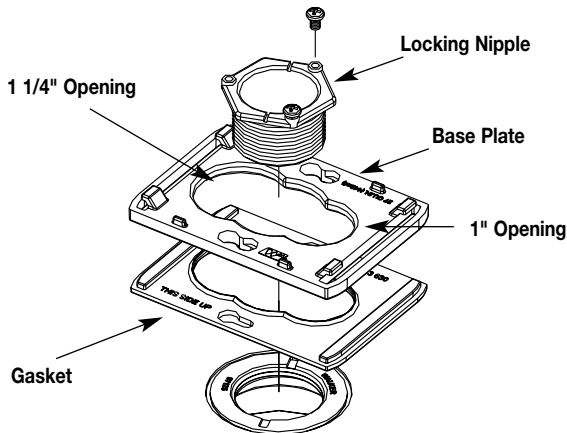


STEP 2

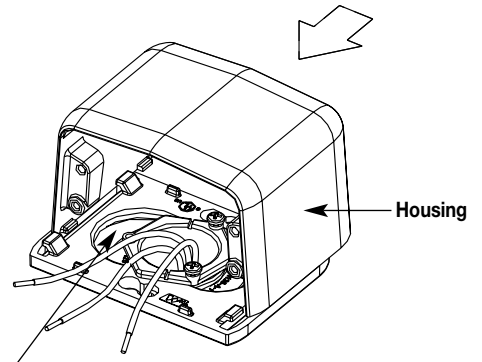


NOTE: Trim carpet or tile flush with perimeter of preset or afterset.

STEP 3

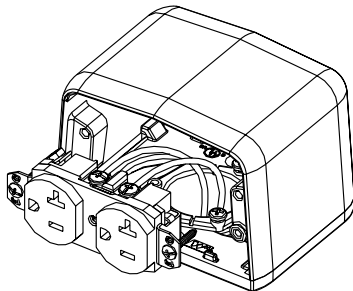


STEP 4

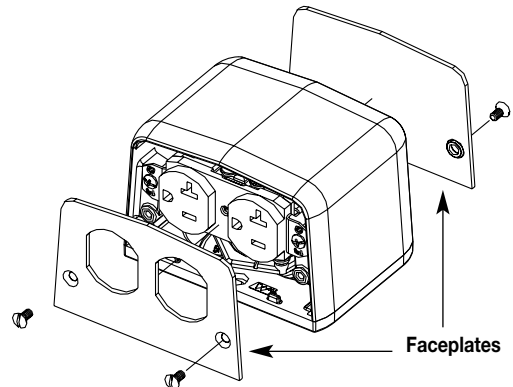


NOTE: If fitting is placed on carpeted floor, remove exposed carpet in opening area.

STEP 5



STEP 6



The Wiremold Company

U.S. and International:

60 Woodlawn Street • West Hartford, CT 06110

1-800-621-0049 • FAX 860-232-2062 • Outside U.S.: 860-233-6251

Canada:

850 Gartshore Street • Fergus, Ontario N1M 2W8

1-800-741-7957 • FAX 519-843-5980





Walker® Infloor Systems

525 Series

Communication Service Fittings

INSTALLATION INSTRUCTIONS

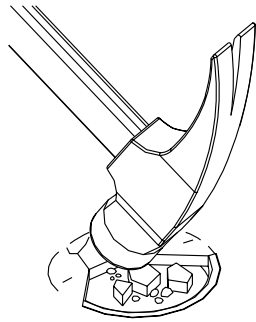
Installation Instruction No.: 1 003 339 R1 - December 2003

Walker® electrical systems conform to and should be properly grounded in compliance with requirements of the current National Electrical Code or codes administered by local authorities.

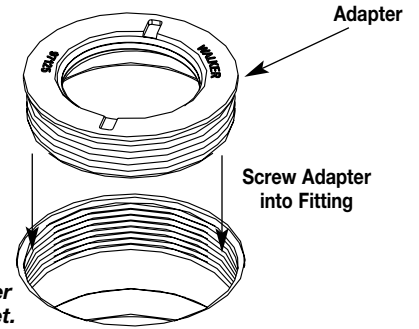
All electrical products may present a possible shock or fire hazard if improperly installed or used. Walker electrical products may bear the mark as UL Listed and/or Classified and should be installed in conformance with current local and/or the National Electrical Code.

IMPORTANT: Please read all instructions before beginning.

STEP 1

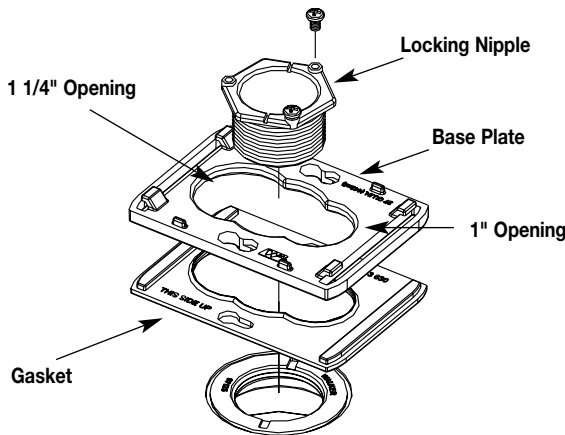


STEP 2



NOTE: Trim carpet or tile flush with perimeter of preset or afterset.

STEP 3

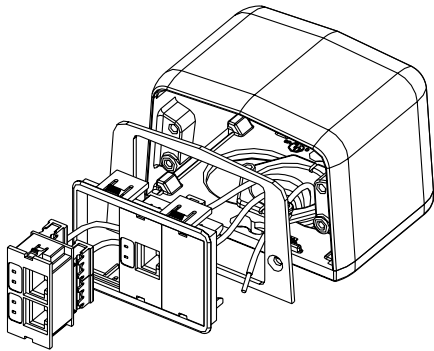


STEP 4

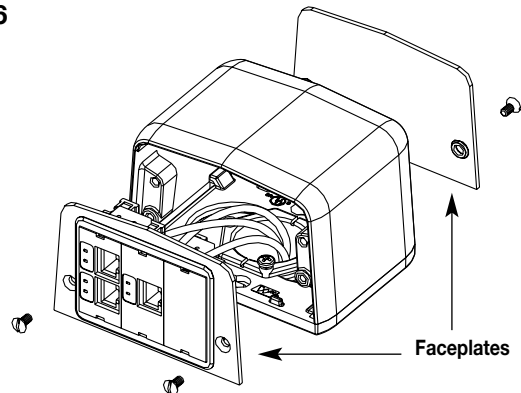


NOTE: If fitting is placed on carpeted floor, remove exposed carpet in opening area.

STEP 5



STEP 6



The Wiremold Company

U.S. and International:

60 Woodlawn Street • West Hartford, CT 06110

1-800-621-0049 • FAX 860-232-2062 • Outside U.S.: 860-233-6251

Canada:

850 Gartshore Street • Fergus, Ontario N1M 2W8

1-800-741-7957 • FAX 519-843-5980

