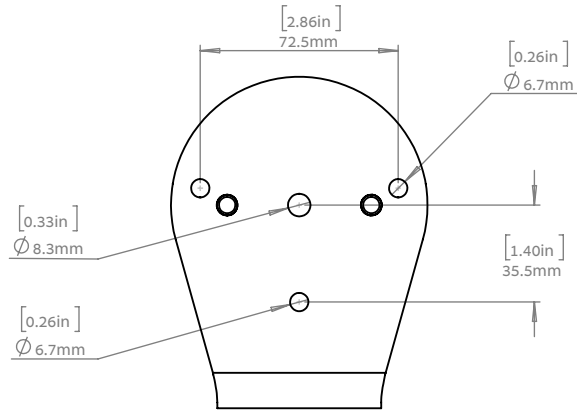
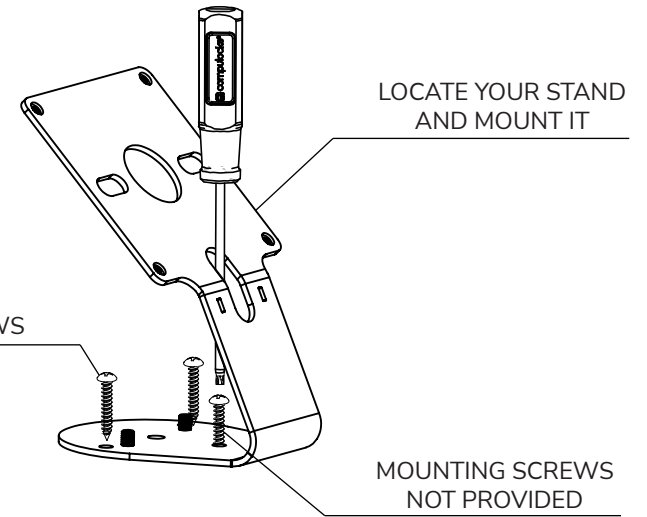


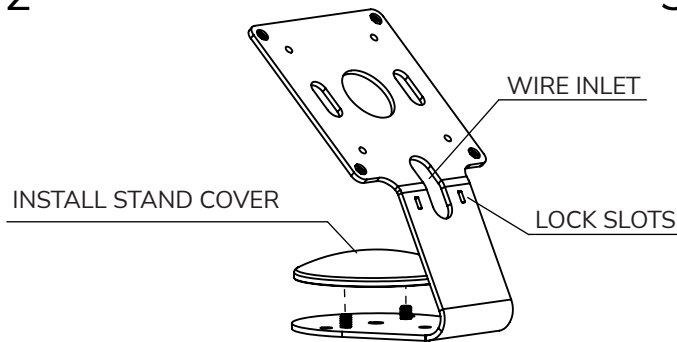
COUNTER MOUNTING PATTERN



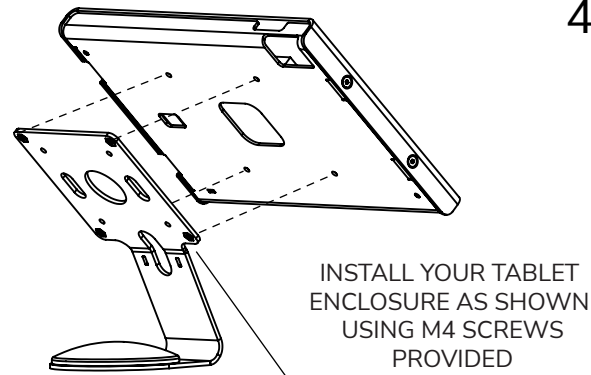
1



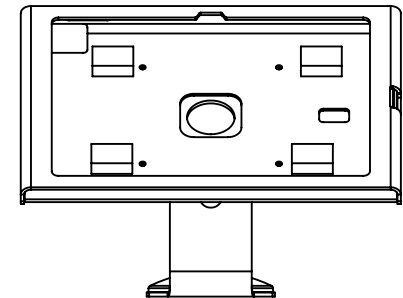
2



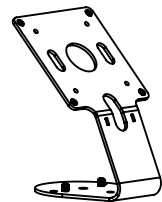
3



4



IN THE BOX



Fixed Stand



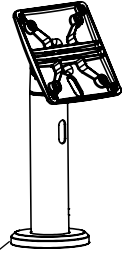
Plastic cover



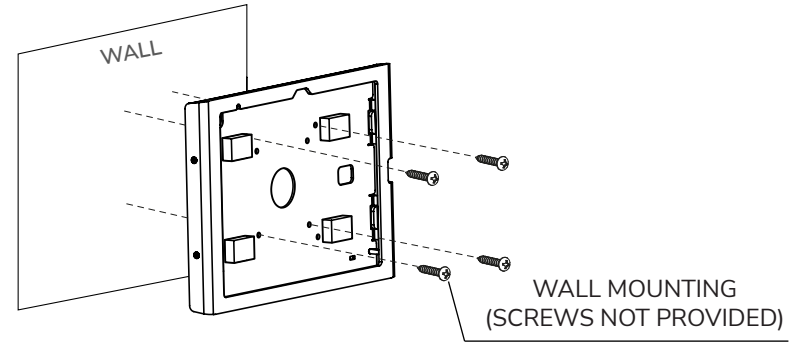
M4x8MM Phillips Screws

Mounting options

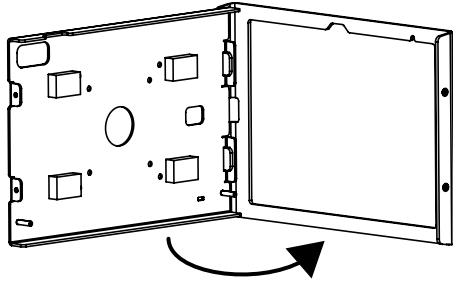
FOLLOW STAND
MOUNTING INSTRUCTIONS
(SUPPLIED WITH STANDS)



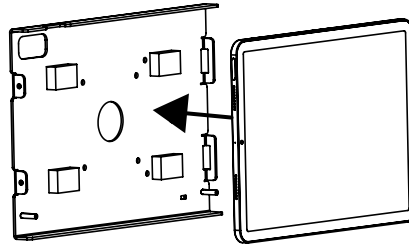
Or



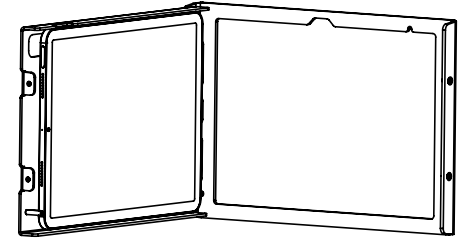
1



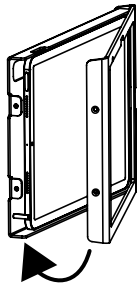
2



3

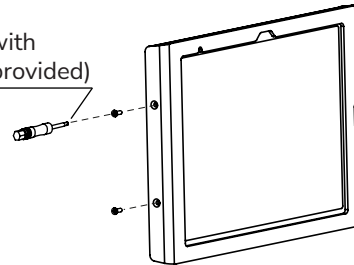


4

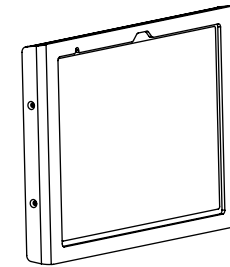


5

Secure with
M3 screws (provided)



6



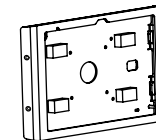
IN THE BOX



Torx Screwdriver



M3x10mm tamper proof screws



Swell enclosure