



DATA SHEET

C2G30055

HDMI HDBaseT + USB-B to A + RS232 Over Cat
Extender Box TX to Box RX (18Gbps) 4K 60Hz up to 328ft

OVERVIEW

The HDMI® HDBaseT + USB-B to A and RS232 over Cat Extender (18Gbps) allows for the extension of a 4K HDMI source up to 328ft to a 4K display without signal loss using a single Cat6a Ethernet cable. This is an ideal solution where USB must also be extended alongside HDMI video and audio to interactive whiteboards and displays or in any installation that goes far beyond the length limitations of standard HDMI and USB cabling.

This HDMI HDBaseT 3.0 kit supports 5Play features, including the combined delivery of uncompressed ultra-high-definition digital video and audio, Ethernet, control signals, USB 2.0, and up to 100W of power through a single, 100m/328ft Cat6a LAN cable. The uncompressed digital video fully supports 4K 60Hz (4:4:4) HDMI signals and all audio formats in the HDMI 2.0 specification. The Ethernet pass-through transmits 1GB of data. The featured dip switch allows for RS232 pass-through and the added convenience of field firmware updating. USB 2.0 supports streaming cameras, connected peripherals, and storage devices. With one-way Power over HDBaseT (PoH) support, one power adapter connected to the receiver powers both the transmitter and receiver, so no additional power adapter required, allowing for greater flexibility in installations.

Note: Ensure a solid reliable connection between the 4K HDMI HDBaseT Extender and critical equipment. We suggest using HDMI Cables with gripping connectors that provide greater port retention than standard HDMI connectors.

Note: Shielded, solid conductor Cat6 or HDBaseT Certified Cat6a network cabling is recommended for applications where the category cable must be coiled, is run near other high-frequency signaling cables, or in high EMI/RFI environments. For best performance use an [HDBaseT Certified Cat6a Patch Cable](#).

FEATURES

- Supports the HDMI 2.0 (18Gbps) specification, with full uncompressed 4K 60Hz (4:4:4) HDMI video and all audio formats through a single, at the full 100m/328ft without signal degradation, over a single Cat6a Ethernet cable.
- USB ports support USB 2.0 standards, maximizing streaming cameras, connected peripherals, and data rates of 350Mbps.
- The Ethernet pass-through transmits 1GB of data.

ITEM DESCRIPTION

C2G30055	HDMI HDBaseT + USB-B to A + RS232 Over Cat Extender Box TX to Box RX (18Gbps) 4K 60Hz up to 328ft
----------	--

ADDITIONAL TECHNICAL SPECS

TRANSMITTER

- Chipset: VS210
- TX Input/ Output Ports: 1 x HDBT OUT, 1 x HDMI IN, 1 x HDMI OUT, 1 x AUDIO IN (PASS THROUGH), 1 x AUDIO OUT (DE-EMBED), 1 x USB HOST (Type-B), 1 x RS232, 1 x ETHERNET, 1 x DC 12V IN
- Input Video Signal: HDMI (4K@60Hz YUV 4:2:0, HDCP 2.2), USB-C DP Alt mode
- Video Output: 1 x HDBT OUT (RJ-45)
- Output Video Signal: HDBT 2.0
- Audio Input: 1 x HDMI; 1 x USB-C; 1 x Audio In (Unbalanced stereo 3.5mm)
- Audio Format: HDMI/USB-C: Supports multi-channel audio formats, including PCM 2.0/5.1/7.1, Dolby TrueHD, Dolby Atmos, DTS-HD Master Audio and DTS:X
- Audio In: Stereo
- USB Pass-through: USB 2.0 (backwards compatible with USB 1.1/1.0)
- USB Port Type: USB-B
- Maximum Pixel Clock: 600Mhz
- Maximum Data Rate: HDMI: 18Gbps; USB: 350Mbps
- Control Method: RS232

RECEIVER

- Chipset: VS210
- RX Input/Output Ports: 1 x HDBT IN, 1 x HDMI OUT, 1 x AUDIO OUT (PASS THROUGH), 1 x AUDIO OUT (DE-EMBED), 4 x USB DEVICE (Type-A), 1 x RS232, 1 x ETHERNET, 1 x DC 12V IN
- Input Video Signal: HDBT 2.0
- Video Output: 1 x HDMI OUT
- Output Video Signal: HDMI (4K@60Hz YUV 4:4:4), HDCP 2.2
- Input Video Level: 0.5~1.0V p-p
- Maximum Pixel Clock: 340MHz
- Audio Format: HDMI Out: Supports multi-channel audio formats, including PCM 2.0/5.1/7.1, Dolby TrueHD, Dolby Atmos, DTS-HD Master Audio and DTS:X
- Audio Out: Stereo
- USB-A Port Amperage: 1.4A max on top 2 USB-A ports; 0.6A max on bottom 2 USB-A ports

TRANSMISSION DISTANCE

- Cat 6a cable, extends 4K@60Hz & 1080P@60Hz (4:4:4) signal up to 100m/330ft
- Cat 5e/6 cable, extends 4K@60Hz (4:2:0) & 1080P@60Hz signal up to 70m/230ft; 4K@60Hz (4:4:4) signal up to 40m/131ft

ELECTRICAL SPECIFICATIONS

TRANSMITTER

- Power Supply: Can be powered by the connected receiver or local power supply through the 12V phoenix connector
- Power Consumption (Max): 7.8W

RECEIVER

- Power Supply: DC 12V 3A
- Power Consumption (Max): 18.96W

PHYSICAL SPECIFICATIONS

- Port Connections: (1) USB-B Female (for data), (1) 3.5mm Female, (1) USB-C Female (USB 3.1 Gen2 for video) , (1) HDMI Female, (1) RJ-45 Female, (1) USB Micro-B Female
- Operating Temperature: 0°C to 45°C (32°F to 113°F)
- Storage Temperature: -20°C to 70°C (-4°F to 158°F)
- Humidity: 10% to 90%, Non-Condensing
- ESD Protection: Human-body Model: ±8kV (Air-gap discharge) / ±4kV (Contact)

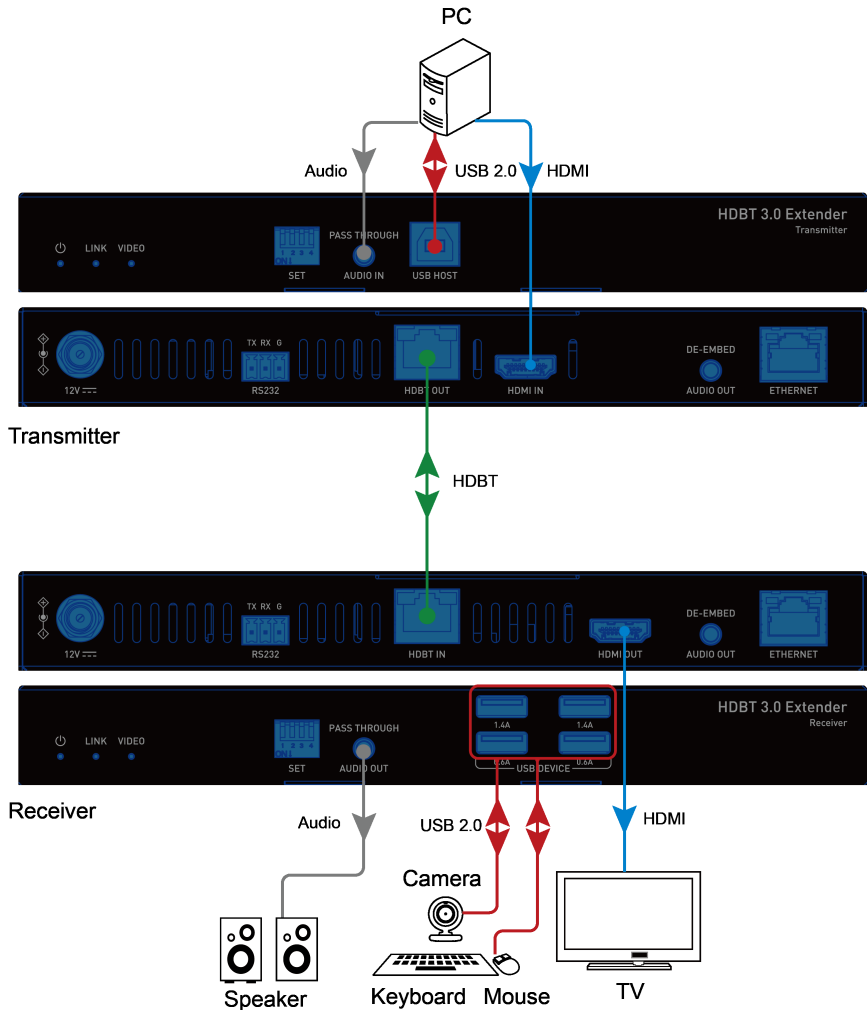
TRANSMITTER

- Device Dimension (W x H x D): 89mm x 38.4mm x 105.6mm / 3.5" x 1.51" x 4.16"
- Product Weight: 0.3kg / 0.66lb

RECEIVER

- Device Dimension (W x H x D): 210mm x 25mm x 90.2mm / 8.27" x 0.98" x 3.55"
- Product Weight: 0.46kg / 1.01lbs





LEGRAND | AV COMMERCIAL BRANDS
C2G | Chief | Da-Lite | Luxul | Middle Atlantic | Vaddio | Wiremold

SIMPLIFIED CONNECTIVITY

USA 800.506.9607 | c2g.com | legrandav.com | customer-service@c2g.com

EMEA +31 495 580 840 | c2g.com/uk | legrandav.com | c2g.emea@av.legrand.com

©2023 Legrand AV Inc. C2G30055 Rev A 1/23 C2G is a registered trademark of Legrand AV Inc. All other brand names or marks are used for identification purposes and are trademarks of their respective owners. All patents are protected under existing designations. Other patents pending.