

Delock Easy 45 Module Plate Rectangular cut-out for optical fiber SC Duplex coupling, 45 x 22.5 mm white

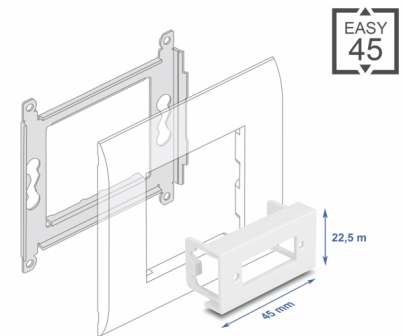
Description

This module plate by Delock provides a hole cut-out for a optical fiber SC Duplex coupling. The simple snap-in mechanism ensures that the module is firmly in place and can be easily removed if necessary.

This module plate was designed to accommodate various Optical Fiber Coupler. For example, optionally available Optical Fiber Coupler SC Duplex female can be mounted. The low material thickness of only 1.5 mm provides sufficient strength while requiring little space for mounting.

Easy 45 connects

Easy 45 is a variable, modular system that allows components such as **sockets, HDMI or USB connections** to be added according to your needs. The Easy 45 modules are standardised and can be mounted in various module holder or cable ducts. Easy 45 builds the interface between **electrical, network and system installation** and many peripheral devices such as **TV, monitors, printers, laptops** and much more.



Item no. 81436

EAN: 4043619814367

Country of origin: China

Package: Zip poly bag

Specification

- Material: PC plastic
- Suitable for module holder Delock Easy 45
- Suitable for 45 mm cable duct with minimum depth 45 mm
- Rectangular cut-out: 26.0 x 9.5 mm
- Pitch of screw hole: ca. 30 mm
- Module size: 22.5 x 45 mm
- Dimensions (LxWxH): ca. 45.0 x 22.5 x 22.0 mm
- Colour: white

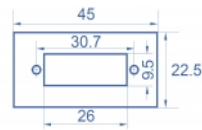
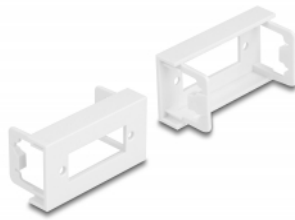
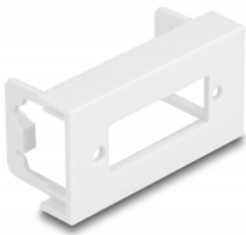
System requirements

- A free module port Delock Easy 45 (22.5 x 45 mm)

Package content

- 1 x module plate

Images



General

| | |
|----------------|---------|
| Mounting type: | Easy 45 |
|----------------|---------|

Physical characteristics

| | |
|-------------------|---------------|
| Housing material: | Plastic |
| Length: | 22.0 mm |
| Width: | 22.5 mm |
| Height: | 45 mm |
| Colour: | RAL 9003 Weiß |