

Delock Easy 45 Module Plate Round cut-out 2 x M8, 45 x 22.5 mm white

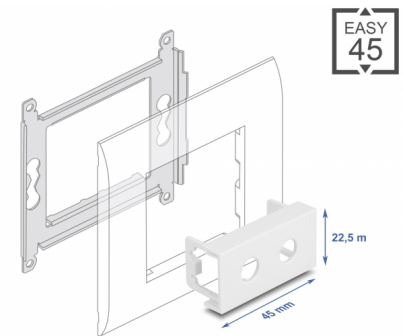
Description

This module plate by Delock provides two hole cut-outs of 8.2 mm. The simple snap-in mechanism ensures that the module is firmly in place and can be easily removed if necessary.

This module plate was designed to accommodate various connectors with an M8 external thread. For example, optionally available DC socket can be mounted. The low material thickness of only 1.5 mm provides sufficient strength while requiring little space for mounting.

Easy 45 connects

Easy 45 is a variable, modular system that allows components such as **sockets, HDMI or USB connections** to be added according to your needs. The Easy 45 modules are standardised and can be mounted in various module holder or cable ducts. Easy 45 builds the interface between **electrical, network and system installation** and many peripheral devices such as **TV, monitors, printers, laptops** and much more.



Item no. 81433

EAN: 4043619814336

Country of origin: China

Package: Zip poly bag

Specification

- Material: PC plastic
- Suitable for module holder Delock Easy 45
- Suitable for 45 mm cable duct with minimum depth 45 mm
- Cut-out: 2 x Ø 8.2 mm
- Module size: 22.5 x 45 mm
- Dimensions (LxWxH): ca. 45.0 x 22.5 x 22.0 mm
- Colour: white

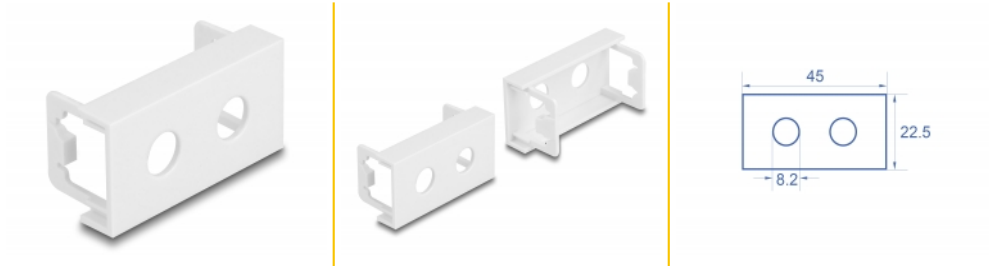
System requirements

- A free module port Delock Easy 45 (22.5 x 45 mm)

Package content

- 1 x module plate

Images



General

Mounting type:	Easy 45
----------------	---------

Physical characteristics

Housing material:	Plastic
Length:	22.0 mm
Width:	22.5 mm
Height:	45 mm
Colour:	RAL 9003 Weiß