

CREATE A PREMIUM GUEST EXPERIENCE WITHOUT THE NOISE

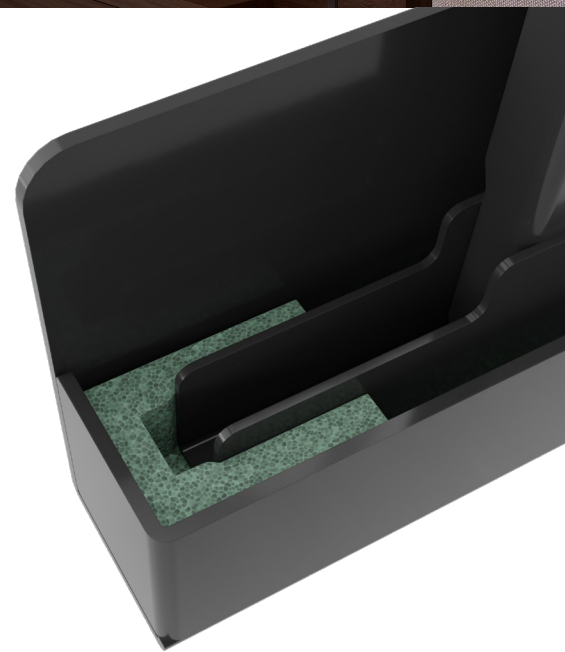
CHIEF®
A brand of **legrand**

SUPPRESSING STRUCTURE-BORNE SOUND TRANSMISSION

The PACVISO1 Vibration Isolation Wall Mount Accessory is designed to minimize structure-borne sound transmission from mounted televisions to neighboring rooms. It can reduce perceived structure-borne sounds by up to 80-87% on average while maintaining the sleek look of Chief wall mounts.

You no longer need to place TVs on furniture!

The PACVISO1 requires minimal time to install and cuts out the labor and materials associated with double-framing walls for sound vibration reduction solutions, making it a perfect solution for new builds, retrofits and renovations. Ideal for a variety of applications where significant sound vibration reduction is needed: large venue suites, hotel guestrooms, clinic patient rooms, temporary office walls, and more!



Vibration isolating elastomer material dampens TV sound vibrations



PACVISO1 Vibration Isolation Wall Mount Accessory

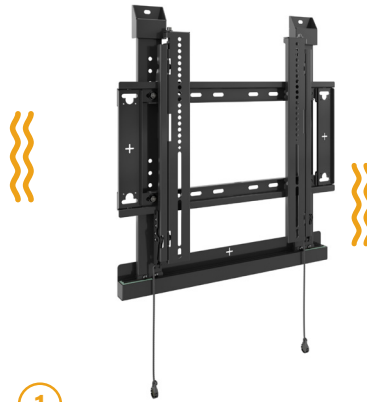
FEATURES

- Reduces perceived structure-borne sounds by up to 80-87% (up to 25-30dB insertion loss), on average
- Simple Installation
- Ideal for new builds, retrofits and renovations
- Specifically designed with high performance proprietary elastomeric materials
- Compatible with typical 43" to 65" screens with RMF3 Medium Fit™ Fixed Display Wall Mount
- Adds only 1" (25mm) depth behind television
- 3" (76 mm) height adjust for best placement of wall mount and TV

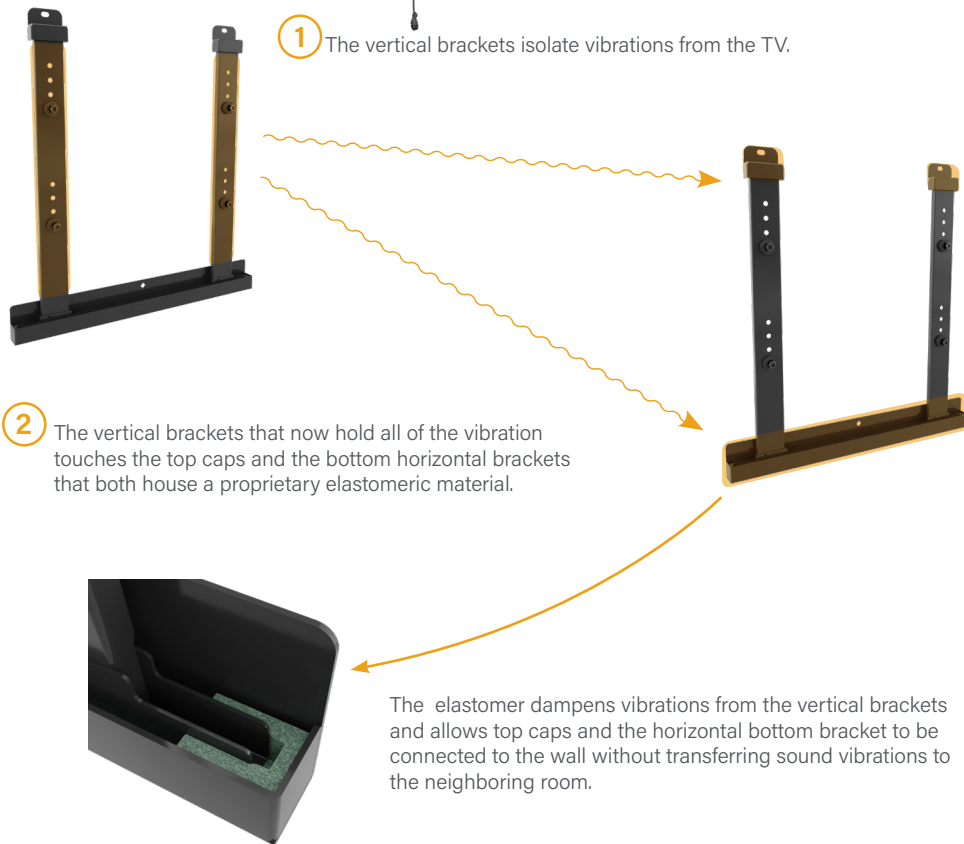
CREATE A PREMIUM GUEST EXPERIENCE WITHOUT THE NOISE

CHIEF[®]
A brand of **legrand**

MINIMIZING TV SOUND VIBRATIONS



TV speakers generate vibrations that can be transmitted and re-radiated in the adjacent guestroom. This often leads to poor guest experiences, and in turn can lead to complaints and/or negative reviews. To significantly reduce the noise given off by TV sound vibration, the PACVIS01 does 2 main things.



CHIEF[®]
A brand of **legrand**

LEGRAND | AV COMMERCIAL BRANDS

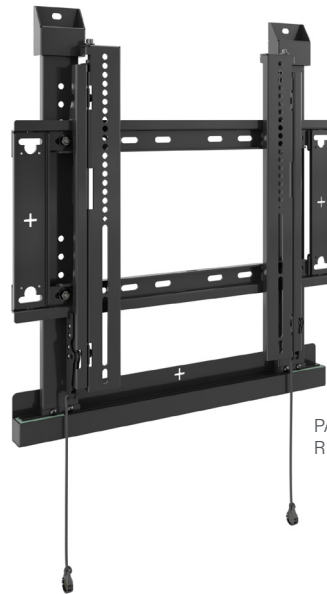
C2G | Chief | Da-Lite | Luxul | Middle Atlantic | Vaddio | Wiremold

INSTALLER INSPIRED | legrandav.com

USA 866.977.3901 av.chief.support@legrand.com CANADA 877.345.4329 av.chief.canada@legrand.com
EMEA +31 495 580 840 av.emea.sales@legrand.com APAC +852 2145 4099 av.asia.sales@legrand.com

CREATE A PREMIUM GUEST EXPERIENCE WITHOUT THE NOISE

CHIEF[®]
A brand of **legrand**



PACVIS01 shown with
RMF3 Medium Fit™ Fixed Wall Display Mount

SKU	PACVIS01
STRUCTURE-BORNE VIBRATION ISOLATION	up to 25-30 dB insertion loss
DIMENSIONS (WXHxD)	21.1" x 23.68" x 1.07" (536 x 602 x 27 mm)
WEIGHT RATING	125 lbs (56.7 kg) on wood/steel studs (25ga minimum); 75 lbs (34 kg) on drywall-only wall
TYPICAL TV SIZES	43" - 65"
COLOR	Black
WALL SUBSTRATE	Wood or Steel Studs (25ga minimum) 16" on center; Drywall only: 1/2" min. drywall thickness
WALL STUD COMPATIBILITY	16" (406 mm) on center
ORIENTATION	Landscape
COMPATIBLE MOUNTS	RMF3 Medium Fit™ Fixed Display Wall Mount
ADDED DEPTH	1.07" (27 mm)
TOTAL DEPTH WITH MOUNT	2.07" (53 mm)

CHIEF[®]
A brand of **legrand**

LEGRAND | AV COMMERCIAL BRANDS

C2G | Chief | Da-Lite | Luxul | Middle Atlantic | Vaddio | Wiremold

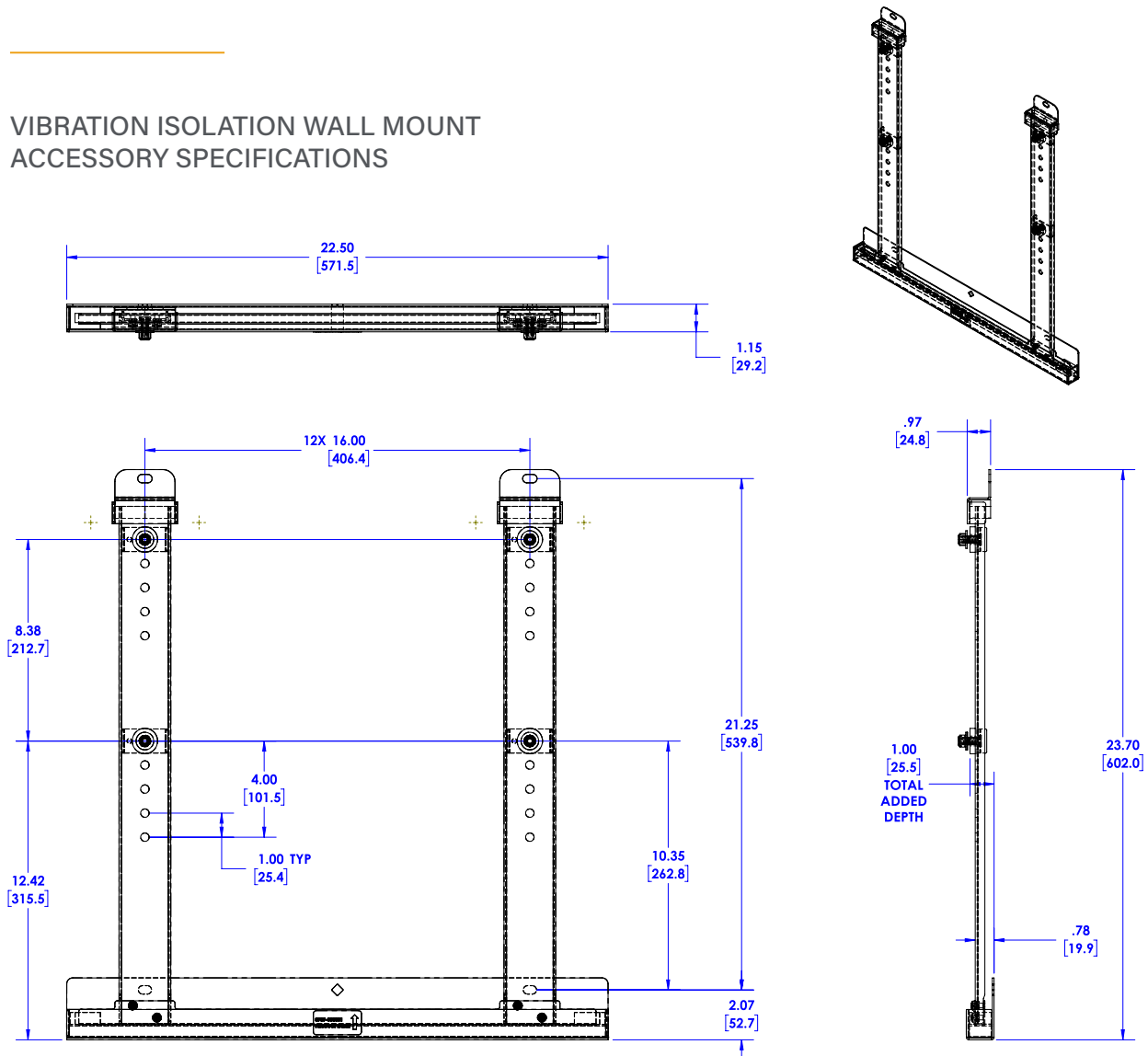
INSTALLER INSPIRED | legrandav.com

USA 866.977.3901 av.chief.support@legrand.com CANADA 877.345.4329 av.chief.canada@legrand.com

EMEA +31 495 580 840 av.emea.sales@legrand.com APAC +852 2145 4099 av.asia.sales@legrand.com

CREATE A PREMIUM GUEST EXPERIENCE WITHOUT THE NOISE

VIBRATION ISOLATION WALL MOUNT ACCESSORY SPECIFICATIONS



Please note: this is a preliminary drawing and modifications can occur