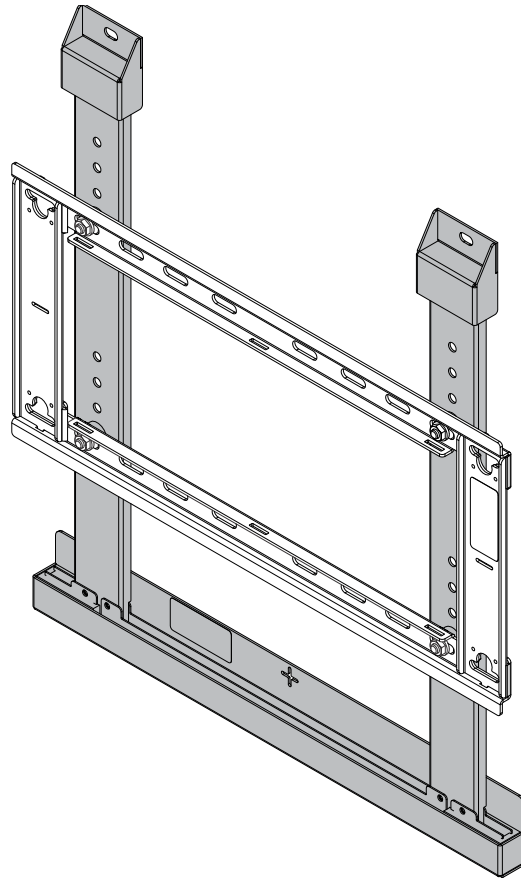

INSTALLATION INSTRUCTIONS



Vibration Isolation Wall Mount Accessory

CHIEF[®]

A brand of  legrand

PACVISO1

DISCLAIMER

Legrand | AV and its affiliated corporations and subsidiaries (collectively "Legrand | AV"), intend to make this manual accurate and complete. However, Legrand | AV makes no claim that the information contained herein covers all details, conditions or variations, nor does it provide for every possible contingency in connection with the installation or use of this product. The information contained in this document is subject to change without notice or obligation of any kind. Legrand | AV makes no representation of warranty, expressed or implied, regarding the information contained herein. Legrand | AV assumes no responsibility for accuracy, completeness or sufficiency of the information contained in this document.

Chief® is a registered trademark of Legrand AV Inc.

DEFINITIONS

MOUNTING SYSTEM: A MOUNTING SYSTEM is the primary Chief product to which an accessory and/or component is attached.

ACCESSORY: AN ACCESSORY is the secondary Chief product which is attached to a primary Chief product, and may have a component attached or setting on it.

COMPONENT: A COMPONENT is an audiovisual item designed to be attached or resting on an accessory or mounting system such as a video camera, CPU, screen, display, projector, etc.



WARNING: A WARNING alerts you to the possibility of serious injury or death if you do not follow the instructions.



CAUTION: A CAUTION alerts you to the possibility of damage or destruction of equipment if you do not follow the corresponding instructions.



IMPORTANT SAFETY INSTRUCTIONS



WARNING: Failure to read, thoroughly understand, and follow all instructions can result in serious personal injury, damage to equipment, or voiding of factory warranty! It is the installer's responsibility to make sure all accessories are properly assembled and installed using the instructions provided.



WARNING: Failure to provide adequate structural strength for this accessory can result in serious personal injury or damage to equipment! It is the installer's responsibility to make sure the structure to which this accessory is attached can support five times the combined weight of all equipment. Reinforce the structure as required before installing the accessory. The wall to which the accessory is being attached may have a maximum drywall thickness of 5/8" (1.6cm).



WARNING: Exceeding the weight capacity can result in serious personal injury or damage to equipment! It is the installer's responsibility to make sure the combined weight of all components attached to this accessory does not exceed:

- Wood/Steel Stud: 125 lbs (56.7 kg)
- Drywall-only: 75 lbs (34.0 kg)



WARNING: Use this accessory only for its intended use as described in these instructions. Do not use attachments not recommended by the manufacturer.



WARNING: Never operate this accessory if it is damaged. Return the accessory to a service center for examination and repair.



WARNING: Do not use this accessory outdoors.

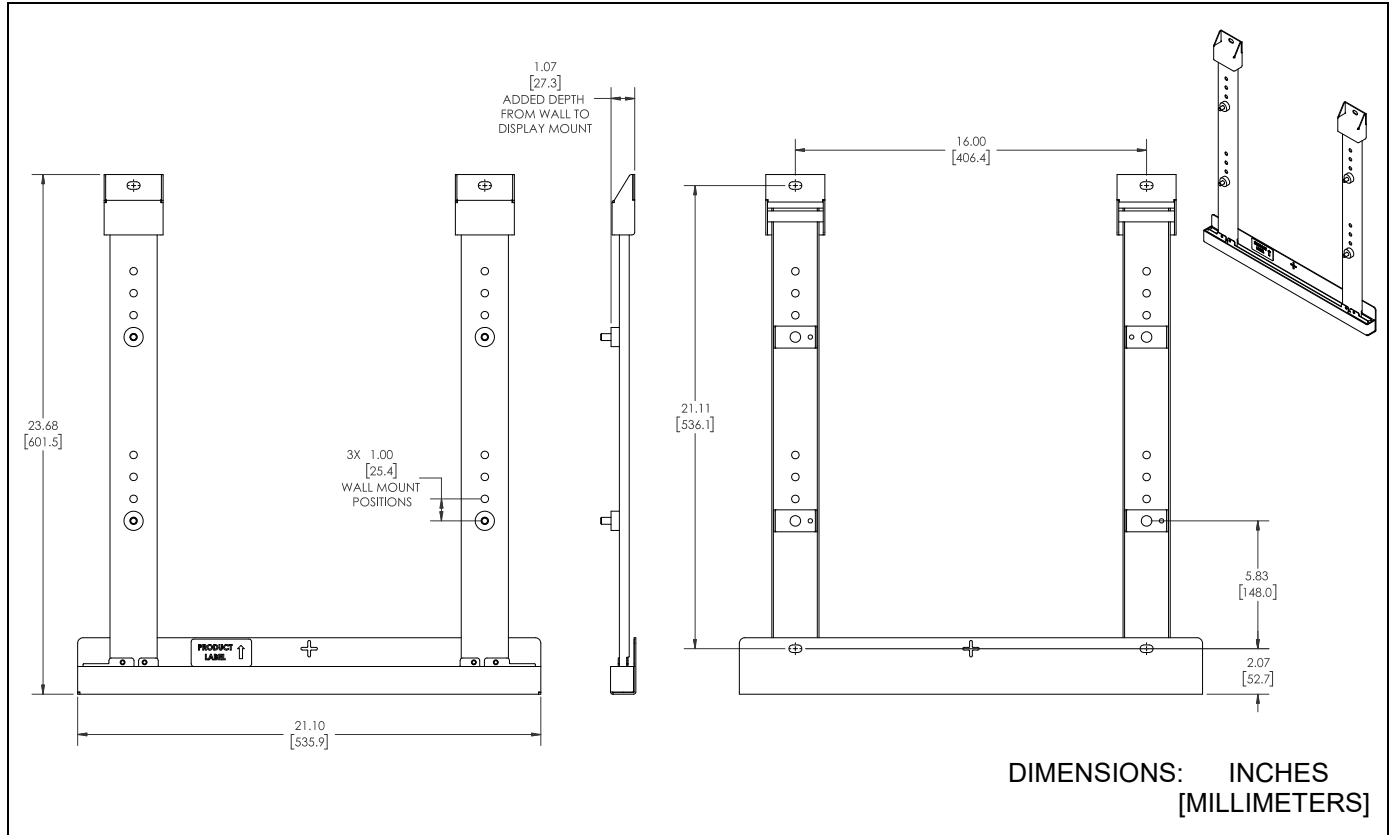
IMPORTANT ! : The PACVISO1 accessory is designed to be mounted to an:

- 2" x 4" wood studs (16" on center) wall covered in 1/2" to 5/8" drywall; or
- 2" x 4"-25ga minimum steel stud wall covered in 1/2" to 5/8" drywall; or
- drywall-only wall (1/2" min. drywall thickness)

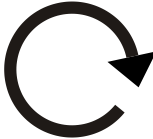

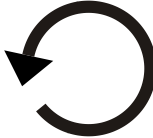









IMPORTANT ! : The PACVISO1 accessory is only compatible with the RMF3 FIT-series wall mount

--SAVE THESE INSTRUCTIONS--

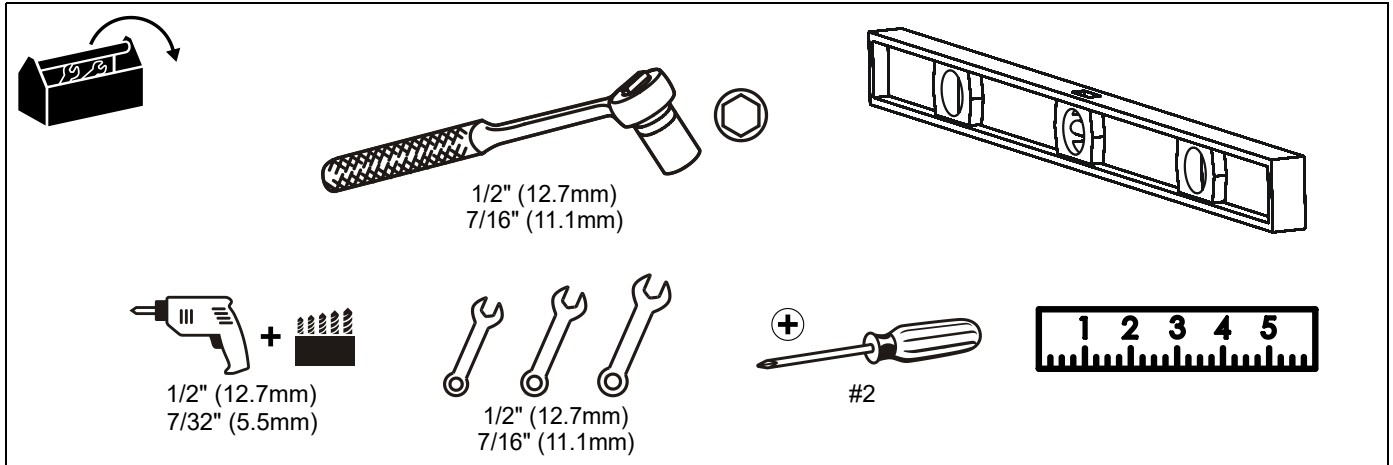
DIMENSIONS



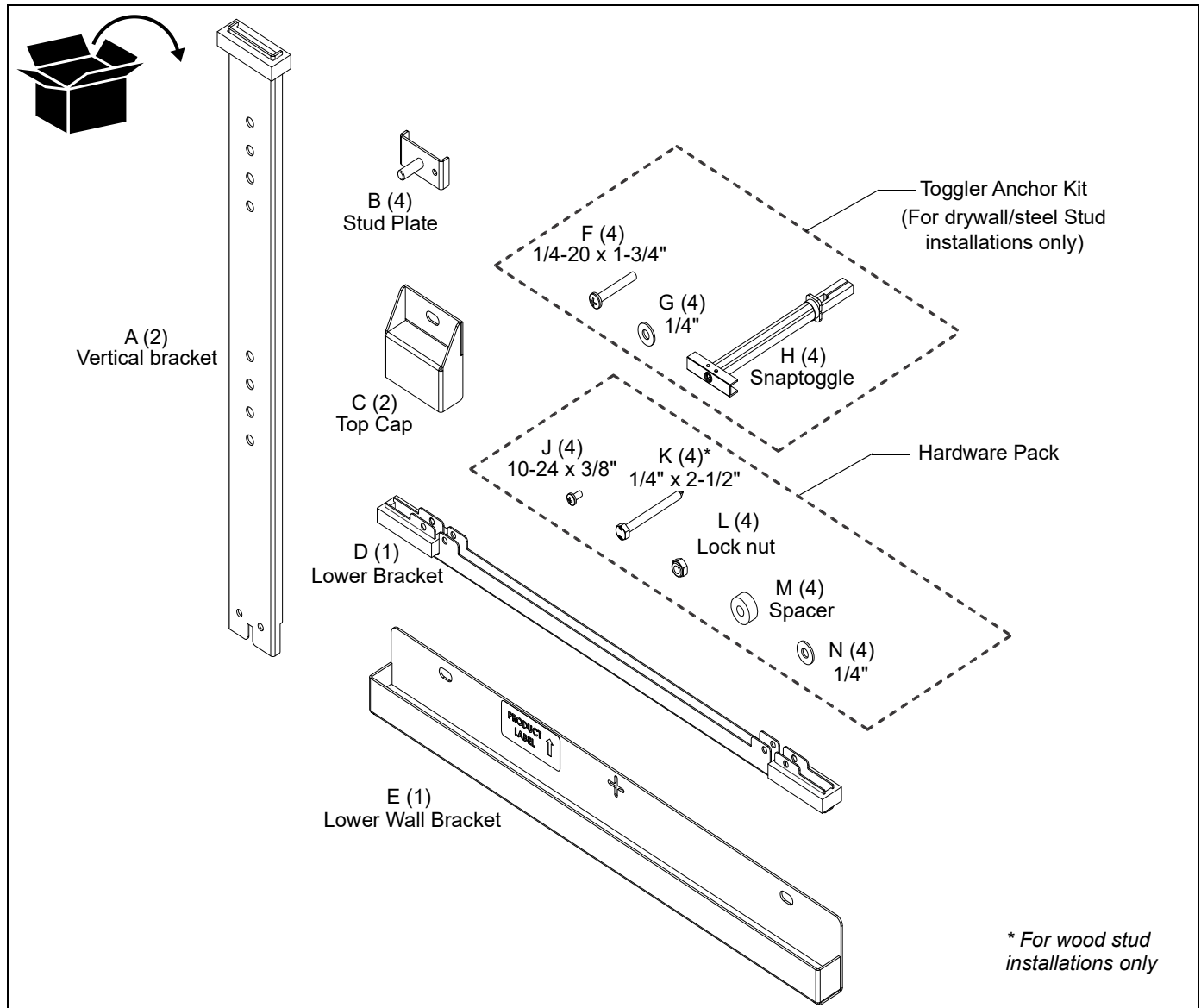
LEGEND

	Tighten Fastener Apretar elemento de fijación Befestigungsteil festziehen Apertar fixador Serrare il fissaggio Bevestiging vastdraaien Serrez les fixations		Pencil Mark Marcar con lápiz Stiftmarkierung Marcar com lápis Segno a matita Potloodmerkteken Marquage au crayon
	Loosen Fastener Aflojar elemento de fijación Befestigungsteil lösen Desapertar fixador Allentare il fissaggio Bevestiging losdraaien Desserrez les fixations		Drill Hole Perforar Bohrloch Fazer furo Praticare un foro Gat boren Percez un trou
	Phillips Screwdriver Destornillador Phillips Kreuzschlitzschraubendreher Chave de fendas Phillips Cacciavite a stella Kruiskopschroevendraaier Tournevis à pointe cruciforme		Adjust Ajustar Einstellen Ajustar Regolare Afstellen Ajuster
	Open-Ended Wrench Llave de boca Gabelschlüssel Chave de bocas Chiave a punte aperte Steeksleutel Clé à fourche		Remove Quitar Entfernen Remover Rimuovere Verwijderen Retirez
	By Hand A mano Von Hand Com a mão A mano Met de hand À la main		Optional Opcional Optional Opcional Opzionale Optie En option
	Hex-Head Wrench Llave de cabeza hexagonal Sechskantschlüssel Chave de cabeça sextavada Chiave esagonale Zeskantsleutel Clé à tête hexagonale		Security Wrench Llave de seguridad Sicherheitsschlüssel Chave de segurança Chiave di sicurezza Veiligheidssleutel Clé de sécurité

TOOLS REQUIRED FOR INSTALLATION



PARTS



Assembly

Locate Mounting Site



WARNING: IMPROPER INSTALLATION CAN LEAD TO MOUNT FALLING CAUSING SEVERE PERSONAL INJURY OR DAMAGE TO EQUIPMENT! It is the installers responsibility to make certain the structure to which the mount is being attached is capable of supporting five times the combined weight of all components attached to mount.

- **PACVISO1:** 125 lbs (56.7 kg)/ 75 lbs (34.0 kg)

Installing Lower Wall Bracket

The PACVISO1 mount is designed to be mounted to:

- a 2" x 4" wood studs (16" on center) wall (min. 1/2", max. 5/8" drywall thickness); or
- a steel stud (16" on center) wall (min. 1/2", max. 5/8" drywall thickness); or
- a drywall-only wall (minimum thickness of 1/2")

1. Place the lower wall bracket (E) on the wall in the desired location, making sure both mounting slots are positioned over a wall stud. Hold the bracket level and mark the locations of both mounting slots. (See Figure 1)
2. Remove the lower wall bracket (E) from the wall and drill one pilot hole (7/32" wood stud, 1/2" steel stud) at each location. (See Figure 1)

IMPORTANT ! : Refer to **Fastener Installation Methods** (located in **Appendix** at end of Installation Instructions) for details on installing product into various wall types.

3. Replace lower wall bracket (E) on wall and install using:
 - Wood studs: Two 1/4" x 2-1/2" lag bolts (K) and two 1/4" washers (N). (See Figure 1)
 - Steel stud/drywall-only: Two 1/4-20 x 1-3/4" (F) and two 1/4" washers (G). (See Figure 1)

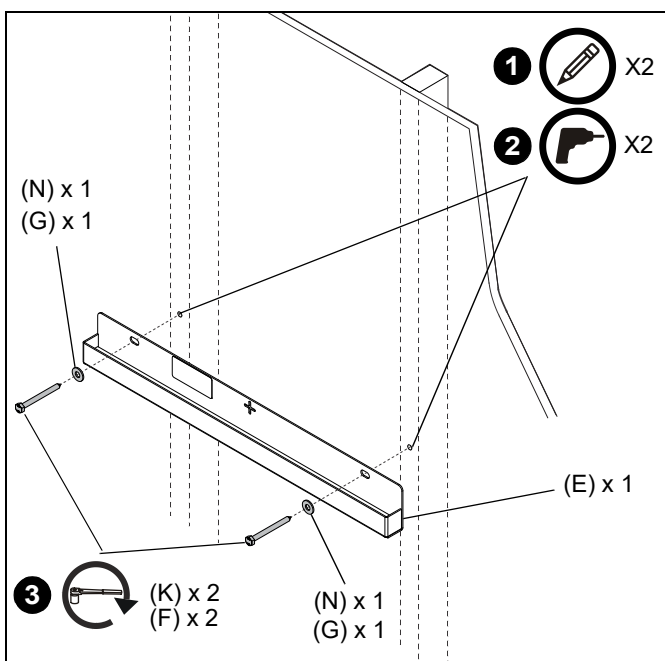


Figure 1

4. Install two vertical brackets (A) to the lower bracket (D) using four 10-24 x 3/8" Phillips screws (J). (See Figure 2)

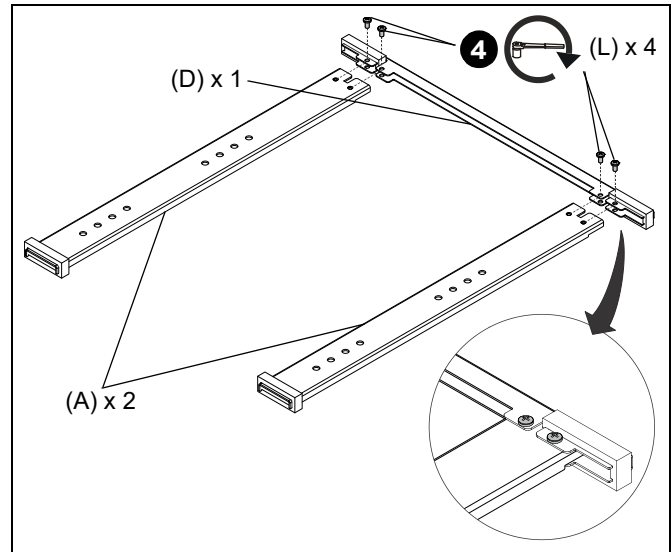


Figure 2

5. Install the display wall mount bracket to the assembled frame using four stud plates (B), four spacers (M), four 1/4" washers (N), and four lock nuts (L). (See Figure 3)

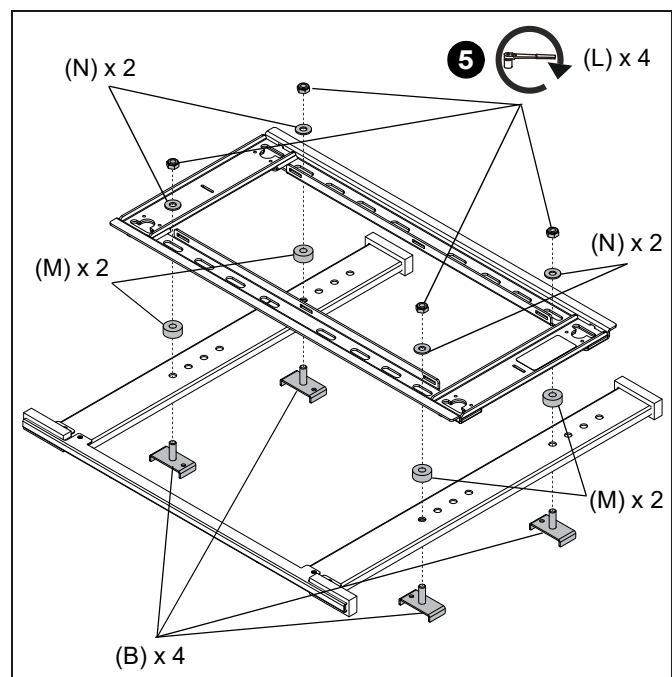


Figure 3

6. Insert bottom edge of the assembled frame into lower wall bracket (E) at an angle. Once in place, rotate the upper edge of the frame towards the wall until frame rests flat against the wall. (See Figure 4)

NOTE: Make sure lower bracket (D) is completely seated into the lower wall bracket (E).

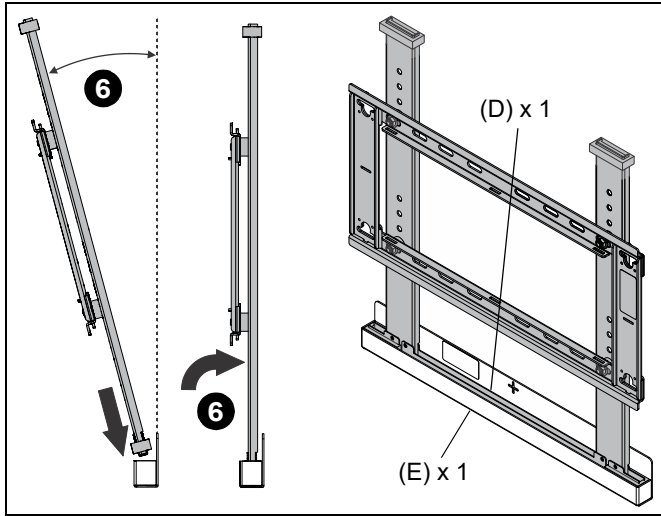


Figure 4

7. Slide two top caps (C) over the upper ends of the vertical brackets (A). (See Figure 5)

NOTE: Top caps (C) must be flush to the surface of the wall while seated against the vertical brackets (A).

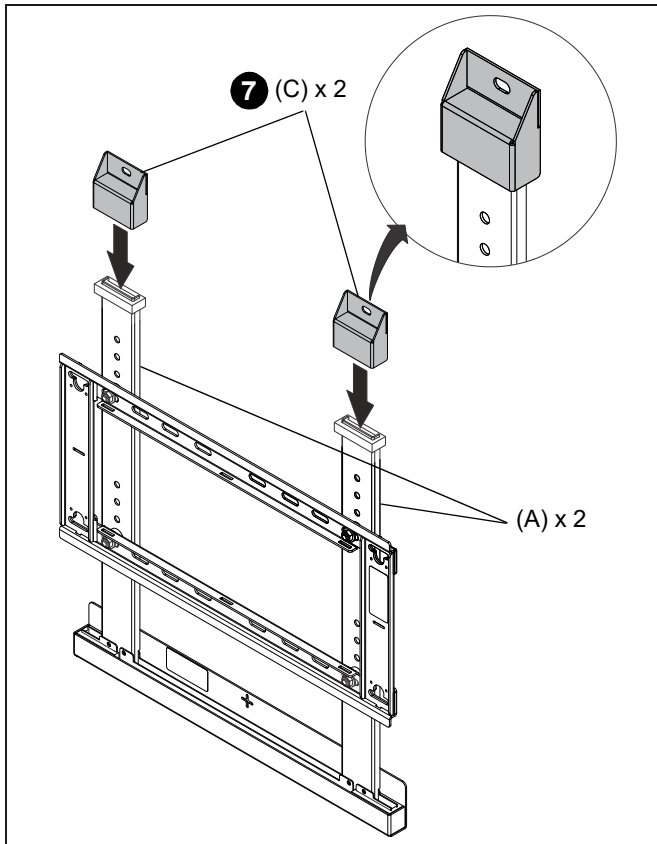


Figure 5

8. Mark the locations of the mounting slots in both top caps (C), then remove the caps from the vertical brackets (A).

9. Drill one pilot hole at each marked location. (See Figure 6)

10. Replace top caps (C) and install using two 1/4" x 2-1/2" lag bolts (K) and 1/4" washers (N). (See Figure 6)

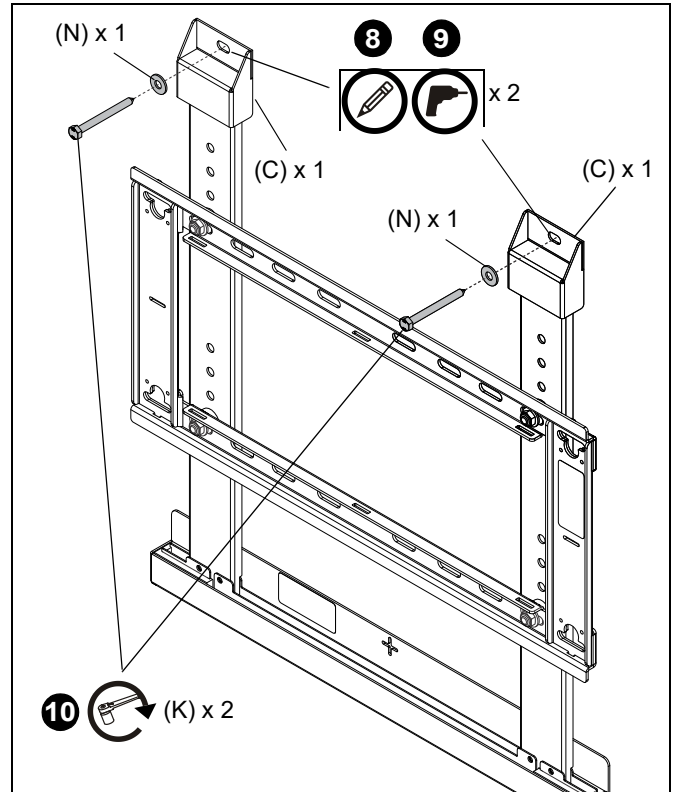


Figure 6

APPENDIX

Fastener Installation Methods

Wood Stud

IMPORTANT ! : See Site Requirements for Wood or Steel Stud section before proceeding with installation to ensure installation site meets requirements! The drywall must have a thickness of 1/2" - 5/8"!

11. Use one 1/4" x 2-1/2" lag bolt (K) and one 1/4" washer (N) through product and into pilot hole. (See Figure 20)

12. Repeat for remaining pilot holes.

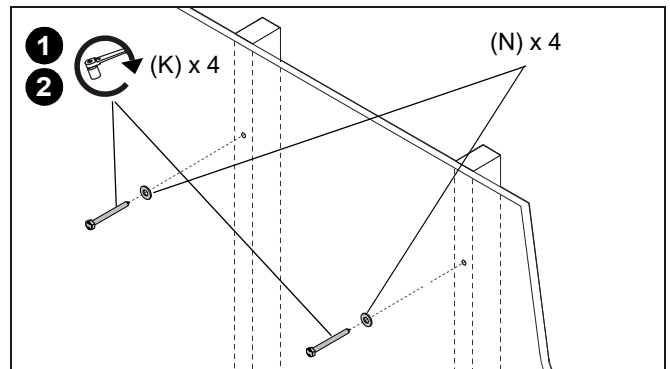


Figure 7

Steel Stud/Drywall Only

IMPORTANT ! : See Site Requirements for Wood or Steel Stud section before proceeding with Steel Stud or Drywall Only installation to ensure installation site meets requirements! The drywall must have a minimum thickness of 1/2"!

1. Hold metal channel on snaptoggle (H) flat alongside plastic straps and slide channel through hole. (See Figure 8)

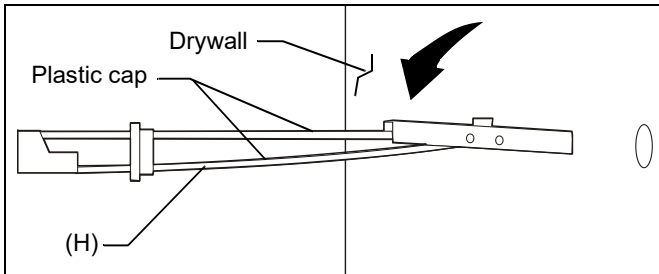


Figure 8

2. Holding plastic straps on snaptoggle (H), pull anchor away from wall until channel rests flush behind wall making sure anchor channel is positioned vertically on drywall, or steel stud (if present). (See Figure 9)
3. Slide plastic cap on snaptoggle towards wall until flange of cap is flush with wall. (See Figure 9)

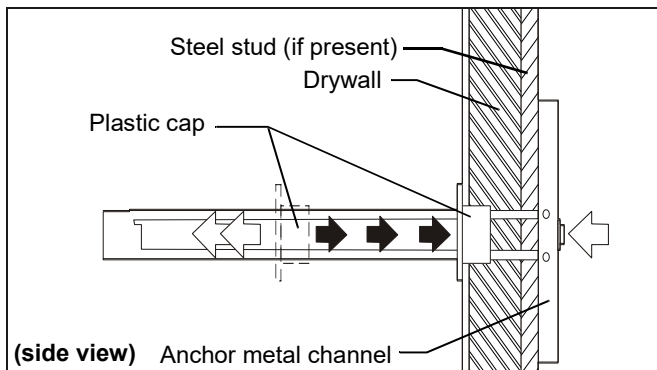


Figure 9

4. Snap off plastic straps on snaptoggle at wall by pushing side to side, snapping off straps level with flange of plastic cap. (See Figure 10)

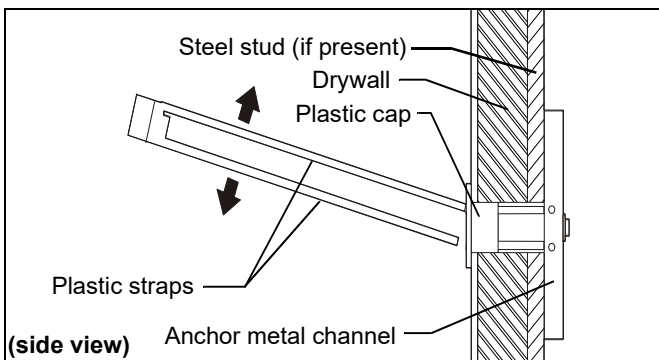


Figure 10

5. Line up snaptoggle with attachment point.
6. Insert 1/4-20 x 1-3/4" Phillips pan head screw (F) through 1/4" washer (G), corresponding mounting hole in wall bracket and into anchor (H), and tighten until flush against wall bracket. DO NOT over-tighten! (See Figure 11)

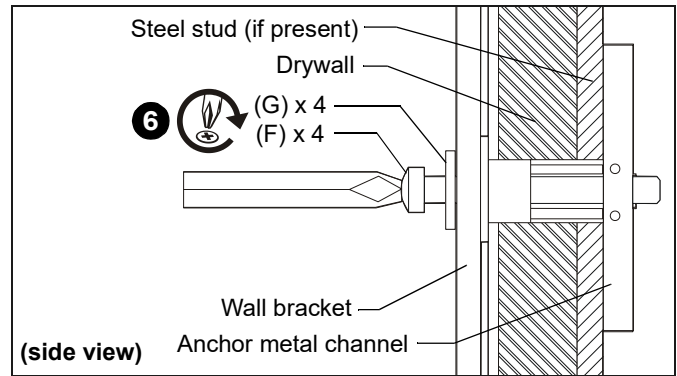


Figure 11

Site Requirements for Wood or Steel Studs

IMPORTANT ! : Steel Studs ONLY: If back side of wall is unfinished, drywall must be installed to a minimum of one stud left and right of the stud(s) being used to install the mount. Drywall must be secured to studs with screws a maximum of 12" (305mm) apart down center of stud.

NOTE: Steel stud type and structural strength must conform to the North American Specification for the design of Cold-Formed Steel Structural Members [362 S 125 18, C-Shaped, S-stud Section]

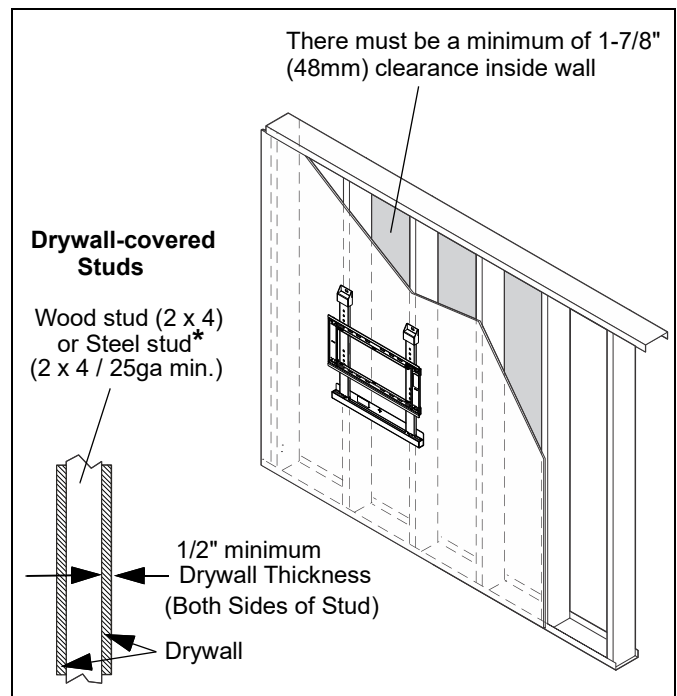


Figure 12

CHIEF®

A brand of  **legrand**

8800-003345 Rev01
©2023 Legrand | AV
www.legrandav.com
04/2023

USA/International	A 6436 City West Parkway, Eden Prairie, MN 55344 P 800.582.6480 / 952.225.6000 F 877.894.6918 / 952.894.6918
Europe	A Franklinstraat 14, 6003 DK Weert, Netherlands P +31 (0) 495 580 852 F +31 (0) 495 580 845
Asia Pacific	A Office No. 918 on 9/F, Shatin Galleria 18-24 Shan Mei Street Fotan, Shatin, Hong Kong P 852 2145 4099 F 852 2145 4477

