



# **PRO Series**

**LCD Monitor**

MP2422C (3PB0)

User Guide

# Contents

|                                   |    |
|-----------------------------------|----|
| Getting Started.....              | 3  |
| Package Contents.....             | 3  |
| Installing the Monitor Stand..... | 4  |
| Adjusting the Monitor.....        | 5  |
| Monitor Overview.....             | 6  |
| Connecting the Monitor to PC..... | 8  |
| OSD Setup.....                    | 9  |
| Navi Key.....                     | 9  |
| Hot Key.....                      | 9  |
| OSD Menus.....                    | 10 |
| Picture.....                      | 10 |
| Color.....                        | 11 |
| Audio.....                        | 12 |
| System.....                       | 12 |
| Information.....                  | 14 |
| Specifications.....               | 15 |
| Preset Display Modes.....         | 17 |
| Troubleshooting.....              | 18 |
| Safety Instructions.....          | 19 |
| TÜV Rheinland Certification.....  | 21 |
| ENERGY STAR Certification.....    | 21 |
| Regulatory Notices.....           | 22 |

## Revision

V1.0, 2023/07

# Getting Started

This chapter provides you with the information on hardware setup procedures. While connecting devices, be careful in holding the devices and use a grounded wrist strap to avoid static electricity.

## Package Contents

|                      |                                    |
|----------------------|------------------------------------|
| <b>Monitor</b>       | PRO MP2422C                        |
| <b>Documentation</b> | Quick Start Guide                  |
| <b>Accessories</b>   | External Power Supply & Power Cord |
| <b>Cables</b>        | High Speed HDMI™ Cable (Optional)  |

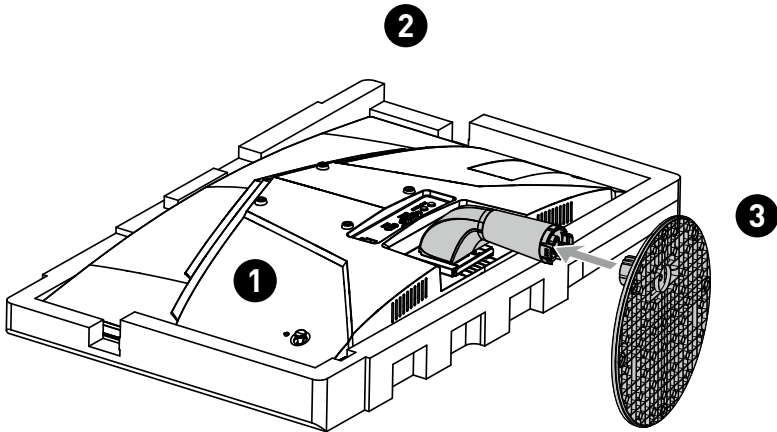


### **Important**

- *Contact your place of purchase or local distributor if any of the items is damaged or missing.*
- *Package contents may vary by country.*
- *The included power cord is exclusively for this monitor and should not be used with other products.*

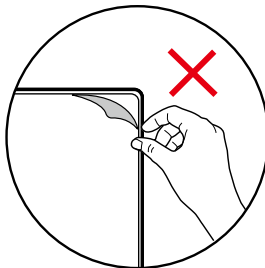
## Installing the Monitor Stand

1. Leave the monitor in its protective foam packaging. Align the stand bracket to the monitor groove.
2. Push the stand towards the monitor groove until it locks in place.
3. Connect the base to the stand to secure the base.
4. Make sure the stand assembly is properly installed before setting the monitor upright.



### Important

- Place the monitor on a soft, protected surface to avoid scratching the display panel.
- Do not use any sharp objects on the panel.
- The groove for installing the stand bracket can also be used for wall mount. Please contact your dealer for proper wall mount kit.
- This product comes with NO protective film to be removed by the user! Any mechanical damages to the product including removal of the polarizing film may affect the warranty!

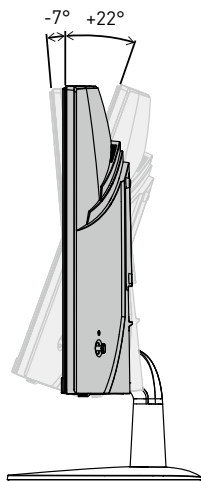


## Adjusting the Monitor

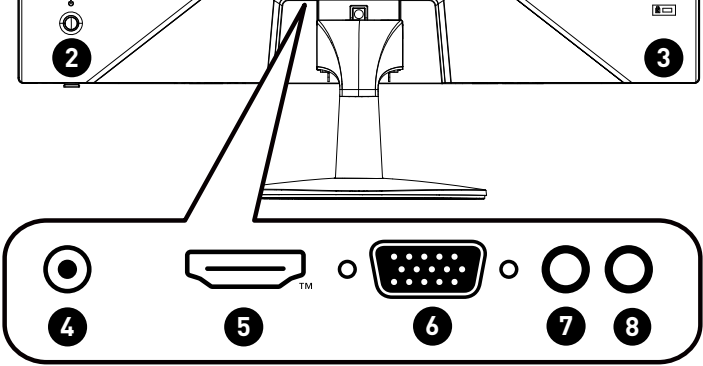
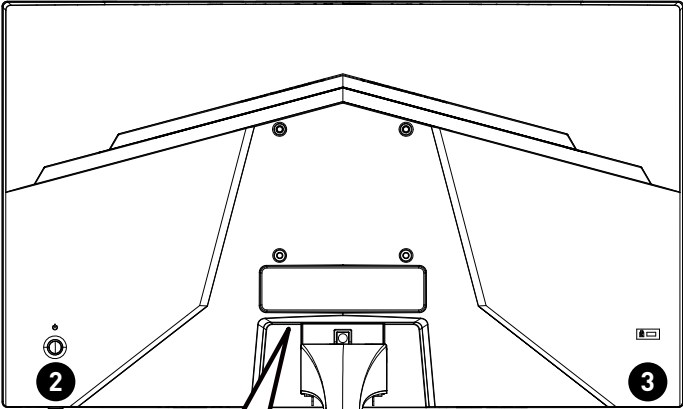
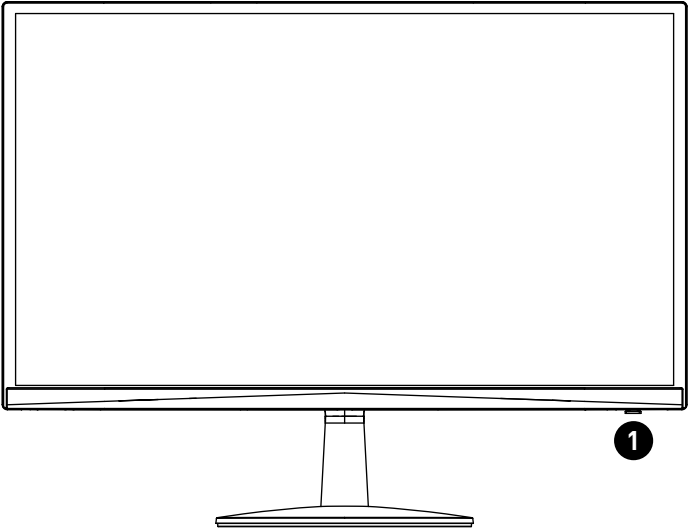
This monitor is designed to maximize your viewing comfort with its adjustment capabilities.


 **Important**

- Avoid touching the display panel when adjusting the monitor.



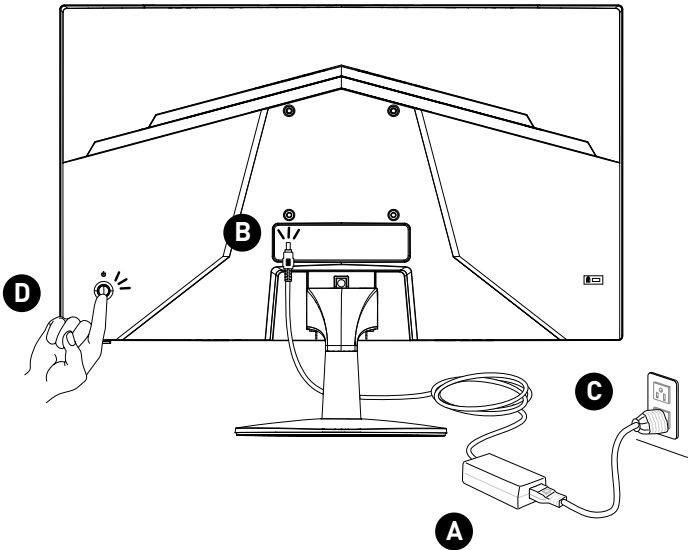
# Monitor Overview



|                 |   |
|-----------------|---|
| <p><b>1</b></p> | <p><b>Power LED</b></p> <p>Lit in blue after the monitor is turned on. If no signal input, the LED will turn into flicker blue. LED goes off when the monitor is turned off.</p>  |
| <p><b>2</b></p> | <p><b>Power Button &amp; Navi Key</b></p>   |
| <p><b>3</b></p> | <p><b>Kensington Lock</b></p>   |
| <p><b>4</b></p> | <p><b>Power Jack</b></p>  |
| <p><b>5</b></p> | <p><b>HDMI™ Connector</b>  <b>HDMI™</b><br/> <small>HIGH-DEFINITION MULTIMEDIA INTERFACE</small></p> <p>Supports 1920x1080@100Hz as specified in HDMI™ 1.4b.</p> |
| <p><b>6</b></p> | <p><b>D-Sub Port (VGA IN)</b></p>   |
| <p><b>7</b></p> | <p><b>Line-in Jack (AUDIO IN)</b></p> <p>The jack works with VGA-IN port as the monitor's audio input.</p>  |
| <p><b>8</b></p> | <p><b>Headphone Jack</b></p> <p>This connector is provided for headphones or speakers.</p>  |

## Connecting the Monitor to PC

1. Turn off your computer.
2. Connect the video cable from the monitor to your computer.
3. Assemble the external power supply & power cord. (Figure A)
4. Connect the external power supply to the monitor power jack. (Figure B)
5. Plug the power cord into the electrical outlet. (Figure C)
6. Turn on the monitor. (Figure D)
7. Power on the computer and the monitor will auto detect the signal source.





# OSD Setup

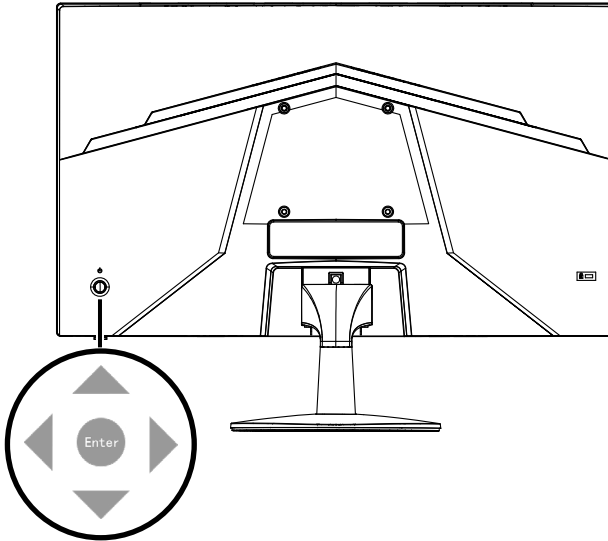
This chapter provides you with essential information on OSD Setup.



*All information is subject to change without prior notice.*

## Navi Key

The monitor comes with a Navi Key, a multi-directional control that helps navigate the On-Screen Display (OSD) menu.



### Up/ Down/ Left/ Right:

- selecting function menus and items
- adjusting function values
- entering into/exiting from function menus

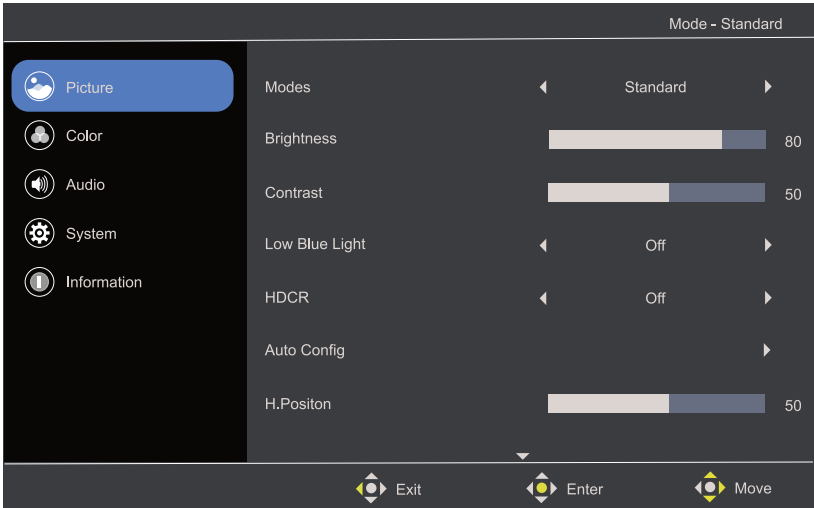
### Press (Enter):

- launching the On-Screen Display (OSD)
- entering submenus
- confirming a selection or setting

## Hot Key

- Users may enter into preset function menus by moving the Navi Key up, down, left or right when the OSD menu is inactive.

# OSD Menus



## Picture

| 1st Level Menu | 2nd/3rd Level Menu | Description  |
|----------------|--------------------|--|
| Modes          | User               | <ul style="list-style-type: none"> <li>• Default is Standard.</li> <li>• Use Left or Right Key to select and preview mode effects.</li> <li>• Press the Enter Key to confirm and apply your mode type.</li> </ul>                            |
|                | Standard           |  |
|                | Eco                |  |
|                | Graphics           |  |
|                | Movie              |  |
| Brightness     | 0-100              | <ul style="list-style-type: none"> <li>• Default value is 80.</li> <li>• Properly adjust Brightness according to the surrounding lighting.</li> <li>• Brightness will be grayed out when MPRT, HDCR or Low Blue Light is enabled.</li> </ul> |
| Contrast       | 0-100              | <ul style="list-style-type: none"> <li>• Default value is 50.</li> <li>• Properly adjust Contrast to relax your eyes.</li> <li>• Contrast will be grayed out when Low Blue Light is enabled.</li> </ul>                                      |

| 1st Level Menu   | 2nd/3rd Level Menu             | Description  |                   |                 |                  |            |              |                  |              |                  |               |                                |
|------------------|--------------------------------|--|-------------------|-----------------|------------------|------------|--------------|------------------|--------------|------------------|---------------|--------------------------------|
| Low Blue Light   | Off                            | <ul style="list-style-type: none"> <li>• Default is Off.</li> <li>• Low Blue Light protects your eyes against blue light. When enabled, Low Blue Light adjusts the screen color temperature to a more yellow glow.</li> <li>• Activating Low Blue Light will affect: <table border="1"> <thead> <tr> <th>Affected Function</th> <th>Function Status</th> </tr> </thead> <tbody> <tr> <td>» HDCR</td> <td>Set to OFF</td> </tr> <tr> <td>» Brightness</td> <td>Unable to select</td> </tr> <tr> <td>» Contrast</td> <td>Unable to select</td> </tr> <tr> <td>» Color Temp.</td> <td>Set to Warm &amp; Unable to select</td> </tr> </tbody> </table> </li> </ul> | Affected Function | Function Status | » HDCR           | Set to OFF | » Brightness | Unable to select | » Contrast   | Unable to select | » Color Temp. | Set to Warm & Unable to select |
|                  | Affected Function              |  | Function Status   |                 |                  |            |              |                  |              |                  |               |                                |
| » HDCR           | Set to OFF                     |  |                   |                 |                  |            |              |                  |              |                  |               |                                |
| » Brightness     | Unable to select               |  |                   |                 |                  |            |              |                  |              |                  |               |                                |
| » Contrast       | Unable to select               |  |                   |                 |                  |            |              |                  |              |                  |               |                                |
| » Color Temp.    | Set to Warm & Unable to select |  |                   |                 |                  |            |              |                  |              |                  |               |                                |
| On               |                                |  |                   |                 |                  |            |              |                  |              |                  |               |                                |
| HDCR             | Off                            | <ul style="list-style-type: none"> <li>• Default is Off.</li> <li>• HDCR enhances image quality by increasing the contrast of images.</li> <li>• Activating HDCR will affect: <table border="1"> <thead> <tr> <th>Affected Function</th> <th>Function Status</th> </tr> </thead> <tbody> <tr> <td>» Low Blue Light</td> <td>Set to OFF</td> </tr> <tr> <td>» MPRT</td> <td>Unable to select</td> </tr> <tr> <td>» Brightness</td> <td>Unable to select</td> </tr> </tbody> </table> </li> </ul>  | Affected Function | Function Status | » Low Blue Light | Set to OFF | » MPRT       | Unable to select | » Brightness | Unable to select |               |                                |
|                  | Affected Function              |  | Function Status   |                 |                  |            |              |                  |              |                  |               |                                |
| » Low Blue Light | Set to OFF                     |  |                   |                 |                  |            |              |                  |              |                  |               |                                |
| » MPRT           | Unable to select               |  |                   |                 |                  |            |              |                  |              |                  |               |                                |
| » Brightness     | Unable to select               |  |                   |                 |                  |            |              |                  |              |                  |               |                                |
| On               |                                |  |                   |                 |                  |            |              |                  |              |                  |               |                                |
| Auto Config      |                                | <ul style="list-style-type: none"> <li>• Auto Config is enabled in VGA source.</li> <li>• Auto Config can adjust the position of the display screen.</li> </ul>  |                   |                 |                  |            |              |                  |              |                  |               |                                |
| H.Position       |                                | <ul style="list-style-type: none"> <li>• Adjust H.Position setting.</li> </ul>   |                   |                 |                  |            |              |                  |              |                  |               |                                |
| V.Position       |                                | <ul style="list-style-type: none"> <li>• Adjust V.Position setting.</li> </ul>   |                   |                 |                  |            |              |                  |              |                  |               |                                |
| Focus            |                                | <ul style="list-style-type: none"> <li>• Adjust Focus setting.</li> </ul>  |                   |                 |                  |            |              |                  |              |                  |               |                                |
| Clock            |                                | <ul style="list-style-type: none"> <li>• Adjust Clock setting.</li> </ul>  |                   |                 |                  |            |              |                  |              |                  |               |                                |

## Color

| 1st Level Menu | 2nd/3rd Level Menu | Description   |
|----------------|--------------------|---|
| Gamma          | 1.8                | <ul style="list-style-type: none"> <li>• Default is 2.2.</li> </ul> |
|                | 2.2                |   |
|                | 2.4                |   |

| 1st Level Menu | 2nd/3rd Level Menu | Description   |              |
|----------------|--------------------|---|--------------|
| Color Temp.    | Normal             | <ul style="list-style-type: none"> <li>• Default is Warm.</li> <li>• User Mode R/G/B Gain Default is 50.</li> <li>• Use Left or Right Key to select and preview mode effects.</li> <li>• Press the Enter Key to confirm and apply your mode type.</li> <li>• Color Temp. will be grayed out when Low Blue Light is enabled.</li> <li>• User can adjust Color Temperature in User mode.</li> </ul> |              |
|                | Warm               |   |              |
|                | Cool               |   |              |
|                | User               |   | R Gain 0-100 |
|                |                    |   | G Gain 0-100 |
|                | B Gain 0-100       |   |              |

## Audio

| 1st Level Menu | 2nd/3rd Level Menu | Description  |
|----------------|--------------------|--|
| Volume         | 0-100              | <ul style="list-style-type: none"> <li>• Default is 70.</li> <li>• Use Left or Right Key to increase or decrease the volume value.</li> <li>• Press the Enter Key to confirm and apply your Volume value.</li> </ul> |
| Mute           | Off                | <ul style="list-style-type: none"> <li>• Default is Off.</li> </ul>  |
|                | On                 |  |

## System


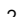
| 1st Level Menu  | 2nd/3rd Level Menu | Description  |                   |                 |        |            |                 |                  |              |                  |
|-----------------|--------------------|--|-------------------|-----------------|--------|------------|-----------------|------------------|--------------|------------------|
| Response Time   | Off                | <ul style="list-style-type: none"> <li>• Default is off.</li> <li>• Response Time will be grayed out when Adaptive-Sync is enabled.</li> </ul>   |                   |                 |        |            |                 |                  |              |                  |
|                 | Normal             |  |                   |                 |        |            |                 |                  |              |                  |
|                 | Extreme            |  |                   |                 |        |            |                 |                  |              |                  |
| Adaptive-Sync   | On                 | <ul style="list-style-type: none"> <li>• Default is off.</li> <li>• Adaptive-Sync prevents screen tearing.</li> <li>• MPRT will be disabled if Adaptive-Sync is enabled.</li> </ul>  |                   |                 |        |            |                 |                  |              |                  |
|                 | Off                |  |                   |                 |        |            |                 |                  |              |                  |
| MPRT            | On                 | <ul style="list-style-type: none"> <li>• Default is off.</li> <li>• The MPRT will be disabled and grayed out when the refresh rate is lower than 85Hz.</li> <li>• Activating MPRT will affect:</li> </ul> <table border="1" data-bbox="593 1232 926 1359"> <thead> <tr> <th>Affected Function</th> <th>Function Status</th> </tr> </thead> <tbody> <tr> <td>» HDCR</td> <td>Set to OFF</td> </tr> <tr> <td>» Adaptive-Sync</td> <td>Unable to select</td> </tr> <tr> <td>» Brightness</td> <td>Unable to select</td> </tr> </tbody> </table> | Affected Function | Function Status | » HDCR | Set to OFF | » Adaptive-Sync | Unable to select | » Brightness | Unable to select |
|                 | Affected Function  |  | Function Status   |                 |        |            |                 |                  |              |                  |
| » HDCR          | Set to OFF         |  |                   |                 |        |            |                 |                  |              |                  |
| » Adaptive-Sync | Unable to select   |  |                   |                 |        |            |                 |                  |              |                  |
| » Brightness    | Unable to select   |  |                   |                 |        |            |                 |                  |              |                  |
|                 | Off                |  |                   |                 |        |            |                 |                  |              |                  |
| Input           | VGA                | <ul style="list-style-type: none"> <li>• Select an Input Source from the list.</li> </ul>  |                   |                 |        |            |                 |                  |              |                  |
|                 | HDMI™              |  |                   |                 |        |            |                 |                  |              |                  |

| 1st Level Menu | 2nd/3rd Level Menu   | Description  |
|----------------|----------------------|--|
| Auto Source    | Off                  | <ul style="list-style-type: none"> <li>• Default is On.</li> <li>• Users can use the Navi Key to select Input Source at below status: <ul style="list-style-type: none"> <li>• While "No Signal" message box is shown on the monitor.</li> </ul> </li> </ul> |
|                | On                   |  |
| Wide Mode      | Full                 | <ul style="list-style-type: none"> <li>• Default is Full.</li> <li>• When set to Full, the resolution will be stretched to 16:9.</li> <li>• When set to Aspect, the display will be scaled to the actual resolution.</li> </ul>                              |
|                | Aspect               |  |
| DDC/CI         | Off                  | <ul style="list-style-type: none"> <li>• Default is On.</li> <li>• DDC/CI (Display Data Channel/Command Interface) is for remote diagnosis and control.</li> </ul>   |
|                | On                   |  |
| Language       | English              | <ul style="list-style-type: none"> <li>• Users have to press the Enter Key to confirm and apply the Language setting.</li> </ul>   |
|                | Русский              |  |
|                | Deutsch              |  |
|                | Français             |  |
|                | Español              |  |
|                | Italiano             |  |
|                | Hollands             |  |
|                | Finnish              |  |
|                | Turkish              |  |
|                | Polish               |  |
|                | Portuguese           |  |
|                | Brazilian Portuguese |  |
|                | 繁體中文                 |  |
|                | 简体中文                 |  |
| 日本語            |                      |  |
| 한국어            |                      |  |
| OSD Timeout    | 10-120               | <ul style="list-style-type: none"> <li>• Default is 10.</li> <li>• Users can adjust OSD Timeout in any mode.</li> </ul>  |
| Transparency   | Off                  | <ul style="list-style-type: none"> <li>• Default is Off.</li> <li>• Users can adjust Transparency in any mode.</li> </ul>  |
|                | 20%                  |  |
|                | 40%                  |  |
|                | 60%                  |  |
|                | 80%                  |  |

## Information

| 1st Level Menu     | 2nd Level Menu | Description   |
|--------------------|----------------|---|
| Main Source        |                | <ul style="list-style-type: none"><li>• Display Main Source information.</li></ul>          |
| Resolution         |                | <ul style="list-style-type: none"><li>• Display Resolution information.</li></ul>           |
| H/V Frequency      |                | <ul style="list-style-type: none"><li>• Display H/V Frequency information.</li></ul>        |
| Mode               |                | <ul style="list-style-type: none"><li>• Display Adaptive-Sync status information.</li></ul> |
| Series Number      |                | <ul style="list-style-type: none"><li>• Display Series Number information.</li></ul>        |
| Reset All Settings |                | <ul style="list-style-type: none"><li>• Reset the OSD setting.</li></ul>                    |

# Specifications

|                              |   |
|------------------------------|---|
| <b>Monitor</b>               | <b>PRO MP2422C</b>  |
| <b>Size</b>                  | 23.6 inch   |
| <b>Curvature</b>             | 1500R   |
| <b>Panel Type</b>            | VA  |
| <b>Resolution</b>            | 1920 x 1080 (FHD)   |
| <b>Aspect Ratio</b>          | 16:9  |
| <b>Brightness</b>            | 250 nits (typ.)   |
| <b>Contrast Ratio</b>        | 3000:1  |
| <b>Refresh Rate</b>          | 100Hz   |
| <b>Response Time</b>         | 1ms (MPRT)<br>4ms (GTG)<br>16ms (Tr + Tf)   |
| <b>I/O</b>                   | <ul style="list-style-type: none"> <li>• HDMI™ Connector x1</li> <li>• VGA-IN Port x1</li> <li>• AUDIO-IN Jack x1</li> <li>• Headphone Jack x1</li> </ul>   |
| <b>View Angles</b>           | 178°(H) , 178°(V)   |
| <b>DCI-P3*/ sRGB</b>         | 77% / 98%   |
| <b>Surface Treatment</b>     | Anti-glare  |
| <b>Display Colors</b>        | 16.7M 8bits   |
| <b>Speaker</b>               | 2W x 2  |
| <b>Monitor Power Options</b> | 12V  2.5A  |
| <b>External Power Supply</b> | Model: SOY-1200250-097  |
| <b>Power Input</b>           | 100~240Vac, 50~60Hz, 0.75A  |
| <b>Power Output</b>          | 12V  2.5A  |
| <b>Adjustment (Tilt)</b>     | -7° ~ 22°   |
| <b>Kensington Lock</b>       | Yes   |
| <b>VESA Mounting</b>         | <ul style="list-style-type: none"> <li>• Plate Type: 100 x 100 mm</li> <li>• Screw Type: M4 x 10 mm               <ul style="list-style-type: none"> <li>• Thread Diameter: 4 mm</li> <li>• Thread Pitch: 0.7 mm</li> <li>• Thread Length: 10 mm</li> </ul> </li> </ul> |

|                              |                  |   |
|------------------------------|------------------|---|
| <b>Monitor</b>               |                  | <b>PRO MP2422C</b>  |
| <b>Dimension (W x H x D)</b> |                  | 539.8 x 414.1 x 203.0 mm  |
| <b>Weight</b>                | <b>Net</b>       | 2.95 kg   |
|                              | <b>Gross</b>     | 4.39 kg   |
| <b>Environment</b>           | <b>Operating</b> | <ul style="list-style-type: none"> <li>• Temperature: 0°C to 40°C</li> <li>• Humidity: 20% to 90%, non-condensing</li> <li>• Altitude: 0 ~ 5000m</li> </ul> |
|                              | <b>Storage</b>   | <ul style="list-style-type: none"> <li>• Temperature: -20°C to 60°C</li> <li>• Humidity: 10% to 90%, non-condensing</li> </ul>                              |

\* Based on CIE1976 test standards.



# Preset Display Modes



**Important**

All information is subject to change without prior notice.

| Standard                | Resolution |        | PRO MP2422C |       |
|-------------------------|------------|--------|-------------|-------|
|                         |            |        | HDMI™       | D-Sub |
| VGA                     | 640x480    | @60Hz  | V           | V     |
|                         |            | @67Hz  | V           | V     |
|                         |            | @72Hz  | V           | V     |
|                         |            | @75Hz  | V           | V     |
| Dos Mode                | 720x480    | @60 Hz | V           | V     |
|                         | 720x576    | @50Hz  | V           | V     |
| SVGA                    | 800x600    | @56Hz  | V           | V     |
|                         |            | @60Hz  | V           | V     |
|                         |            | @72Hz  | V           | V     |
|                         |            | @75Hz  | V           | V     |
| XGA                     | 1024x768   | @60Hz  | V           | V     |
|                         |            | @70Hz  | V           | V     |
|                         |            | @75Hz  | V           | V     |
| SXGA                    | 1280x1024  | @60Hz  | V           | V     |
|                         |            | @75Hz  | V           | V     |
| WXGA+                   | 1440x900   | @60Hz  | V           | V     |
| WSXGA+                  | 1680x1050  | @60Hz  | V           | V     |
| Full HD                 | 1920x1080  | @60Hz  | V           | V     |
|                         |            | @85Hz  | V           |       |
|                         |            | @100Hz | V           |       |
| Video Timing Resolution | 480P       |        | V           |       |
|                         | 576P       |        | V           |       |
|                         | 720P       |        | V           |       |
|                         | 1080P      | @60Hz  | V           |       |

# Troubleshooting

## **The power LED is off.**

- Press the monitor power button again.
- Check if the monitor power cable is properly connected.

## **No image.**

- Check if the computer graphics card is properly installed.
- Check if the computer and monitor are connected to electrical outlets and are turned on.
- Check if the monitor signal cable is properly connected.
- The computer may be in Standby mode. Press any key to activate the monitor.

## **The screen image is not properly sized or centered.**

- Refer to Preset Display Modes to set the computer to a setting suitable for the monitor to display.

## **No Plug & Play.**

- Check if the monitor power cable is properly connected.
- Check if the monitor signal cable is properly connected.
- Check if the computer and graphics card are Plug & Play compatible.

## **The icons, font or screen are fuzzy, blurry or have color problems.**

- Avoid using any video extension cables.
- Adjust brightness and contrast.
- Adjust RGB color or tune color temperature.
- Check if the monitor signal cable is properly connected.
- Check for bent pins on the signal cable connector.

## **The monitor starts flickering or shows waves.**

- Change the refresh rate to match the capabilities of your monitor.
- Update your graphics card drivers.
- Keep the monitor away from electrical devices that may cause electromagnetic interference (EMI).

# Safety Instructions

- Read the safety instructions carefully and thoroughly.
- All cautions and warnings on the device or User Guide should be noted.
- Refer servicing to qualified personnel only.

## Power

- Make sure that the power voltage is within its safety range and has been adjusted properly to the value of 100~240V before connecting the device to the power outlet.
- If the power cord comes with a 3-pin plug, do not disable the protective earth pin from the plug. The device must be connected to an earthed mains socket-outlet.
- Please confirm the power distribution system in the installation site shall provide the circuit breaker rated 120/240V, 20A (maximum).
- Always disconnect the power cord or switch the wall socket off if the device would be left unused for a certain time to achieve zero energy consumption.
- Place the power cord in a way that people are unlikely to step on it. Do not place anything on the power cord.
- If this device comes with an adapter, use only the MSI provided AC adapter approved for use with this device.

## Battery

Please take special precautions if this device comes with a battery.

- Danger of explosion if battery is incorrectly replaced. Replace only with the same or equivalent type recommended by the manufacturer.
- Avoid disposal of a battery into fire or a hot oven, or mechanically crushing or cutting of a battery, which can result in an explosion.
- Avoid leaving a battery in an extremely high temperature or extremely low air pressure environment that can result in an explosion or the leakage of flammable liquid or gas.
- Do not ingest battery. If the coin/button cell battery is swallowed, it can cause severe internal burns and can lead to death. Keep new and used batteries away from children.

### European Union:



Batteries, battery packs, and accumulators should not be disposed of as unsorted household waste. Please use the public collection system to return, recycle, or treat them in compliance with the local regulations.

### BSMI:



廢電池請回收

For better environmental protection, waste batteries should be collected separately for recycling or special disposal.

## California, USA:



The button cell battery may contain perchlorate material and requires special handling when recycled or disposed of in California. For further information please visit: <https://dtsc.ca.gov/perchlorate/>

## Environment

- To reduce the possibility of heat-related injuries or of overheating the device, do not place the device on a soft, unsteady surface or obstruct its air ventilators.
- Use this device only on a hard, flat and steady surface.
- To prevent the device from tipping over, secure the device to a desk, wall or fixed object with an anti-tip fastener that helps to properly support the device and keep it safe in place.
- To prevent fire or shock hazard, keep this device away from humidity and high temperature.
- Do not leave the device in an unconditioned environment with a storage temperature above 60°C or below -20°C, which may damage the device.
- The maximum operating temperature is around 40°C.
- When cleaning the device, be sure to remove the power plug. Use a piece of soft cloth rather than industrial chemical to clean the device. Never pour any liquid into the opening; that could damage the device or cause electric shock.
- Always keep strong magnetic or electrical objects away from the device.
- If any of the following situations arises, get the device checked by service personnel:
  - The power cord or plug is damaged.
  - Liquid has penetrated into the device.
  - The device has been exposed to moisture.
  - The device does not work well or you can not get it working according to the User Guide.
  - The device has dropped and damaged.
  - The device has obvious sign of breakage.

# TÜV Rheinland Certification

## TÜV Rheinland Low Blue Light Certification

Blue light has been shown to cause eye fatigue and discomfort. MSI now offers monitors with TÜV Rheinland Low Blue Light certification to ensure users' eye comfort and well-being. Please follow the instructions below to reduce the symptoms from extended exposure to the screen and blue light.



Low Blue Light  
(Hardware  
Solution)

[www.tuv.com](http://www.tuv.com)

- Place the screen 20 – 28 inches (50 – 70 cm) away from your eyes and a little below eye level.
- Consciously blinking the eyes every now and then will help to reduce eye strain after extended screen time.
- Take breaks for 20 minutes every 2 hours.
- Look away from the screen and gaze at a distant object for at least 20 seconds during breaks.
- Make stretches to relieve body fatigue or pain during breaks.
- Turn on the optional Low Blue Light function.

## TÜV Rheinland Flicker Free Certification

- TÜV Rheinland has tested this product to ascertain whether the display produces visible and invisible flicker for the human eye and therefore strains the eyes of users.
- TÜV Rheinland has defined a catalogue of tests, which sets out minimum standards at various frequency ranges. The test catalogue is based on internationally applicable standards or standards common within the industry and exceeds these requirements.
- The product has been tested in the laboratory according to these criteria.
- The keyword "Flicker Free" confirms that the device has no visible and invisible flicker defined in this standard within the range of 0 - 3000 Hz under various brightness settings.
- The display will not support Flicker Free when Anti Motion Blur/MPRT is enabled. (The availability of Anti Motion Blur/MPRT varies by products.)



Flicker Free

[www.tuv.com](http://www.tuv.com)

## ENERGY STAR Certification

ENERGY STAR is a program run by the U.S. Environmental Protection Agency (EPA) and U.S. Department of Energy (DOE) to promote energy efficiency. This product qualifies for ENERGY STAR in the "factory default" settings through which power savings will be achieved. Changing the factory default picture settings or enabling other features will increase power consumption, which could exceed the limits necessary to qualify for ENERGY STAR rating.



For more information on ENERGY STAR, refer to <https://www.energystar.gov/>.

# Regulatory Notices

## CE Conformity

This device complies with the requirements set out in the Council Directive on the Approximation of the Laws of the Member States relating to Electromagnetic Compatibility (2014/30/EU), Low-voltage Directive (2014/35/EU), ErP Directive (2009/125/EC) and RoHS directive (2011/65/EU). This product has been tested and found to comply with the harmonized standards for Information Technology Equipment published under Directives of Official Journal of the European Union.



## FCC-B Radio Frequency Interference Statement

This equipment has been tested and found to comply with the limits for a Class B digital device, pursuant to Part 15 of the FCC Rules. These limits are designed to provide reasonable protection against harmful interference in a residential installation. This equipment generates, uses and can radiate radio frequency energy and, if not installed and used in accordance with the instruction manual, may cause harmful interference to radio communications. However, there is no guarantee that interference will not occur in a particular installation. If this equipment does cause harmful interference to radio or television reception, which can be determined by turning the equipment off and on, the user is encouraged to try to correct the interference by one or more of the measures listed below:



- Reorient or relocate the receiving antenna.
- Increase the separation between the equipment and receiver.
- Connect the equipment into an outlet on a circuit different from that to which the receiver is connected.
- Consult the dealer or an experienced radio/television technician for help.

### Notice 1

The changes or modifications not expressly approved by the party responsible for compliance could void the user's authority to operate the equipment.

### Notice 2

Shielded interface cables and AC power cord, if any, must be used in order to comply with the emission limits.

This device complies with Part 15 of the FCC Rules. Operation is subject to the following two conditions:

1. This device may not cause harmful interference, and
2. This device must accept any interference received, including interference that may cause undesired operation.

### MSI Computer Corp.

901 Canada Court, City of Industry, CA 91748, USA

(626) 913-0828

[www.msi.com](http://www.msi.com)

## WEEE Statement

Under the European Union ("EU") Directive on Waste Electrical and Electronic Equipment, Directive 2012/19/EU, products of "electrical and electronic equipment" cannot be discarded as municipal waste anymore and manufacturers of covered electronic equipment will be obligated to take back such products at the end of their useful life.



## Chemical Substances Information

In compliance with chemical substances regulations, such as the EU REACH Regulation (Regulation EC No. 1907/2006 of the European Parliament and the Council), MSI provides the information of chemical substances in products at: <https://csr.msi.com/global/index>

## RoHS Statement

### Japan JIS C 0950 Material Declaration

A Japanese regulatory requirement, defined by specification JIS C 0950, mandates that manufacturers provide material declarations for certain categories of electronic products offered for sale after July 1, 2006. <https://csr.msi.com/global/Japan-JIS-C-0950-Material-Declarations>

### India RoHS

This product complies with the "India E-waste (Management and Handling) Rule 2016" and prohibits use of lead, mercury, hexavalent chromium, polybrominated biphenyls or polybrominated diphenyl ethers in concentrations exceeding 0.1 weight % and 0.01 weight % for cadmium, except for the exemptions set in Schedule 2 of the Rule.

### Turkey EEE Regulation

Conforms to the EEE Regulations of the Republic Of Turkey

### Ukraine Restriction of Hazardous Substances

The equipment complies with requirements of the Technical Regulation, approved by the Resolution of Cabinet of Ministry of Ukraine as of 10 March 2017, № 139, in terms of restrictions for the use of certain dangerous substances in electrical and electronic equipment.

### Vietnam RoHS

As from December 1, 2012, all products manufactured by MSI comply with Circular 30/2011/TT-BCT temporarily regulating the permitted limits for a number of hazardous substances in electronic and electric products.

## Green Product Features

- Reduced energy consumption during use and stand-by
- Limited use of substances harmful to the environment and health
- Easily dismantled and recycled
- Reduced use of natural resources by encouraging recycling
- Extended product lifetime through easy upgrades
- Reduced solid waste production through take-back policy

## Environmental Policy

- The product has been designed to enable proper reuse of parts and recycling and should not be thrown away at its end of life.
- Users should contact the local authorized point of collection for recycling and disposing of their end-of-life products.
- Visit the MSI website and locate a nearby distributor for further recycling information.
- Users may also reach us at [gpcontdev@msi.com](mailto:gpcontdev@msi.com) for information regarding proper disposal, take-back, recycling, and disassembly of MSI products.



## Warning!

Overuse of screens is likely to affect eyesight.

### Recommendations:

1. Take a 10-minute break for every 30 minutes of screen time.
2. Children under 2 years of age should have no screen time. For children aged 2 years and over, screen time should be limited to less than one hour per day.

## Copyright and Trademarks Notice

Copyright © Micro-Star Int'l Co., Ltd. All rights reserved. The MSI logo used is a registered trademark of Micro-Star Int'l Co., Ltd. All other marks and names mentioned may be trademarks of their respective owners. No warranty as to accuracy or completeness is expressed or implied. MSI reserves the right to make changes to this document without prior notice.



The terms HDMI™, HDMI™ High-Definition Multimedia Interface, HDMI™ Trade dress and the HDMI™ Logos are trademarks or registered trademarks of HDMI™ Licensing Administrator, Inc.

## Technical Support

If a problem arises with your product and no solution can be obtained from the user's manual, please contact your place of purchase or local distributor. Alternatively, please visit <https://www.msi.com/support/> for further guidance.