

XN-115 / XN-125 XPERIENCE CONTROLLER

XN range

The Nexmosphere nano range is the smallest encased controller of its kind. It's ultra-small form factor and smart design, make it an ideal product to use in virtually any application where space is a limiting factor and where integration with other systems is achieved. Connect your Nexmosphere Elements of choice, such as presence sensors, pick-up detectors or touch buttons, and build your own unique shopper journey; LED lighting that starts glowing when a shopper approaches, product info showed if a product is placed on an "info platform". Whichever interactivity suits your brand's story, create a lasting impression using the XN Xperience controller.



Features

- 1x or 2x X-talk interface for easy sensor connection in small applications
- USB interface enabling 3rd party product integration

X-talk interface

Connect a wide range of sensors, buttons, interfaces, or any other of the Nexmosphere Elements to create your own unique shopper experience. Due to auto-configuration, no additional setup is required for seamless operation. The X-talk interface also supports industry standard I/O devices, such as push buttons.

- Plug and smile interface
- Compatible with any of the Nexmosphere Elements
- Providing power to the connected Elements for easy system wiring

USB interface

The industry standard USB interface allows 3rd party product interfacing. The Xperience controller manifests itself as a USB-to-Serial converter and is compatible with all mainstream operating systems and Digital Signage players.

- Reliable high-speed USB serial communication
- Easy interfacing with 3rd party products
- No special drivers needed*

* occasionally Windows devices need a VCP driver

X-Script API

The X-Script API runs on the controller by default. All connected Elements and system behavior can be controlled with our standardized API commands.

Benefits

- Auto start-up and configuration for highly reliable standalone applications (24/7 operability)
- Ultra-small form factor for easy installation in or behind displays
- Cost-efficient controller for small applications
- Compatible with all Nexmosphere Elements
- USB powered: single cable connection

XN-115 / XN-125 XPERIENCE CONTROLLER

Thermal specifications

Operating temperature: +10°C...+40°C/ +50°F ... +104°F
Storage temperature: -20°C...+50°C/ -4°F ... +122°F
Cooling: Passive cooling (no moving parts)

Electrical specifications

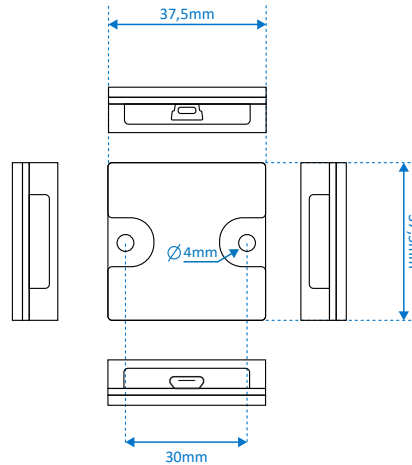
Operating voltage: 5VDC
Power consumption: 150mA
Max. system current: 2.0A
Passive cooling (no moving parts)

Serial communication specifications

Baudrate: 115200
Data bits: 8
Parity: None
Stop bits: 1
Flow control: None
Protocol: ASCII
EOL: CR+LF

Mechanical dimensions

LxWxH: 37,5 x 37,5 x 10,8 mm
Screw fixation: 30 mm



Standards and Certifications



Miscellaneous

- Miniature housing with two mounting holes for secure screw fixing
- Horizontal and vertical mounting allowed
- Diagnostic LED indicating potential issues
- Status LED indicating power and input/output operations
- 1-year warranty (optional 3-year extended warranty available)

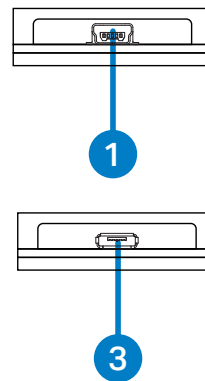
Packaging

Netto weight: 14g
Items per carton 1 or 10 pcs

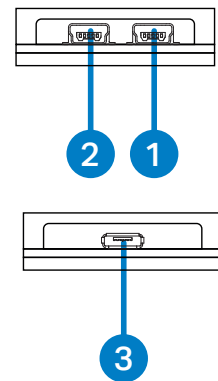
Hardware interfaces

1. X-talk interface 001
2. X-talk interface 002
3. 5V Power input Micro USB

XN-115



XN-125



Ordering information

Product ID	Description	Quantity
XN-115	Xperience controller USB (API), 1x X-talk	1 pc
XN-125	Xperience controller USB (API), 2x X-talk	1 pc