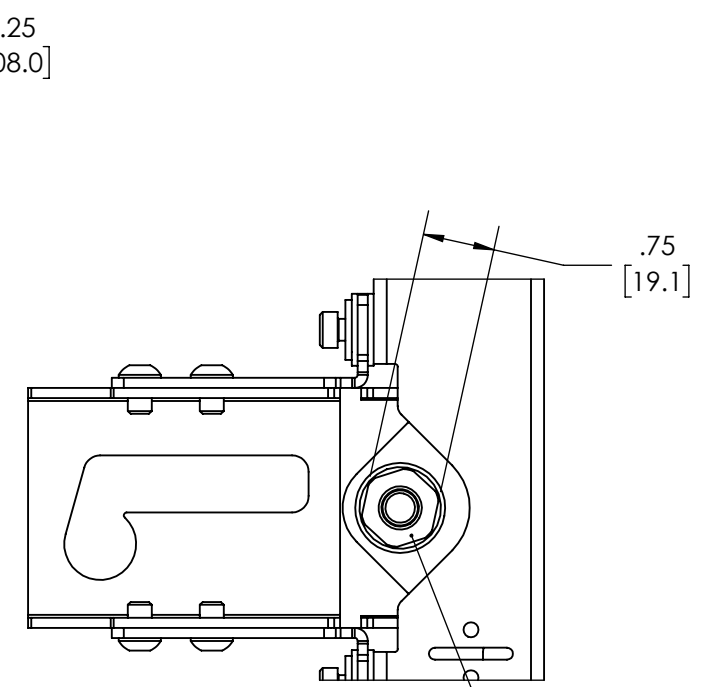
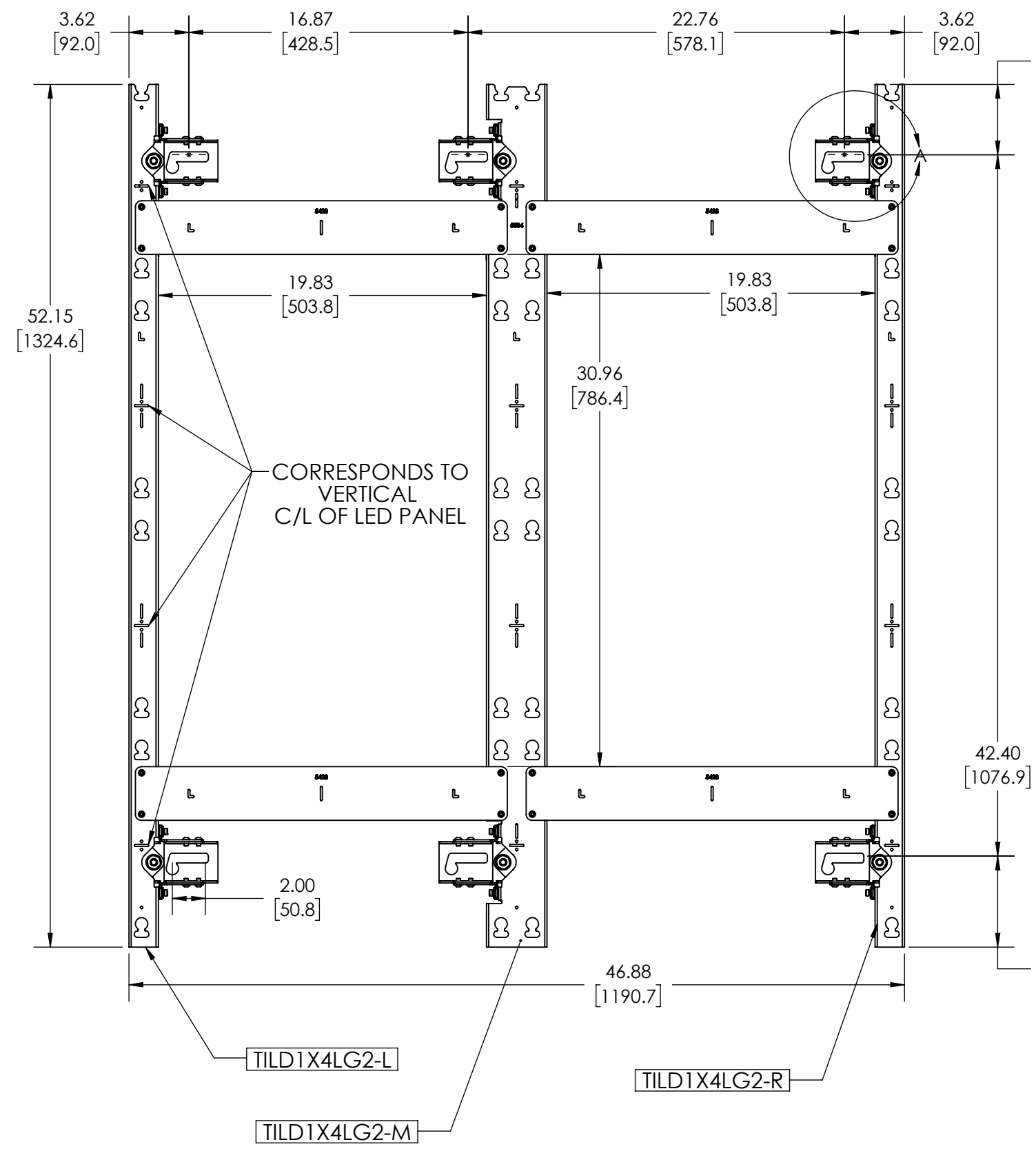
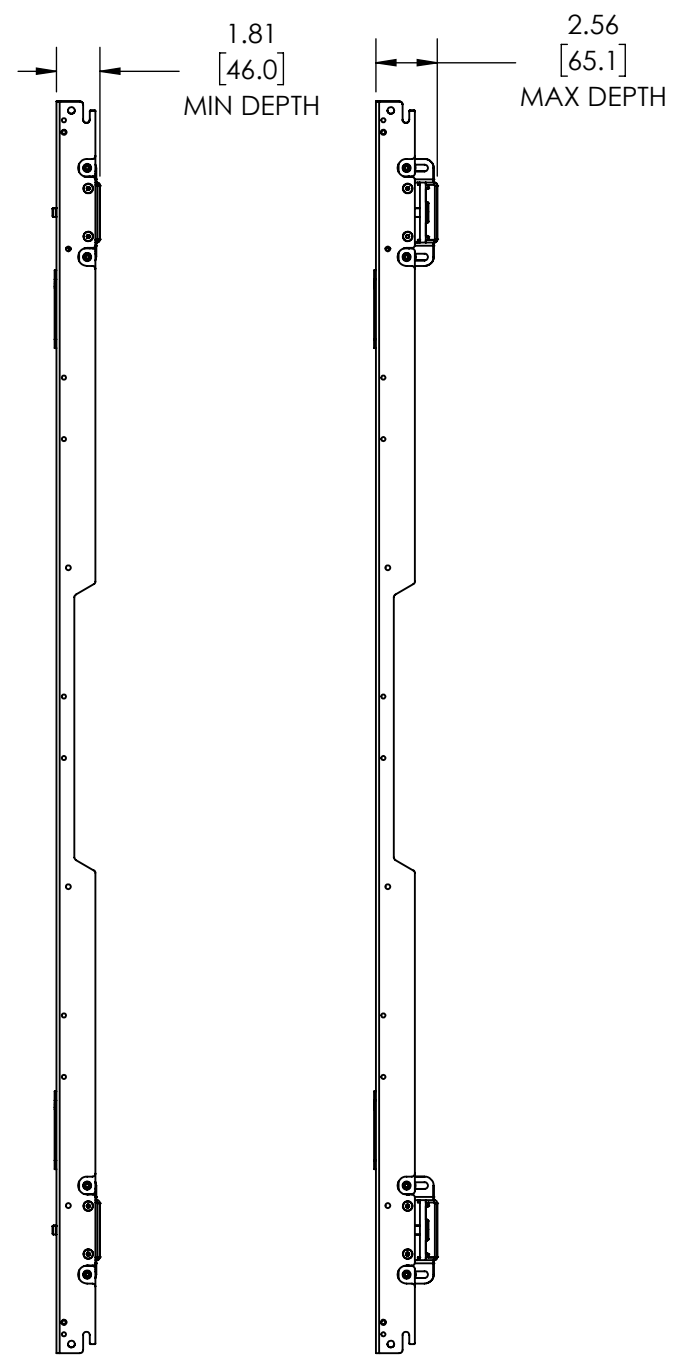


FRONT VIEW
NO PANELS



DETAIL A
SCALE 1 : 2

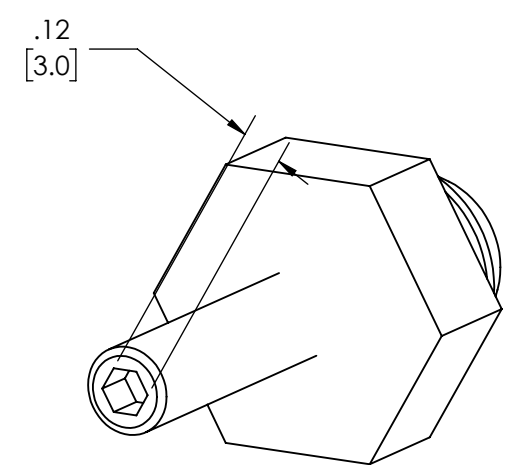
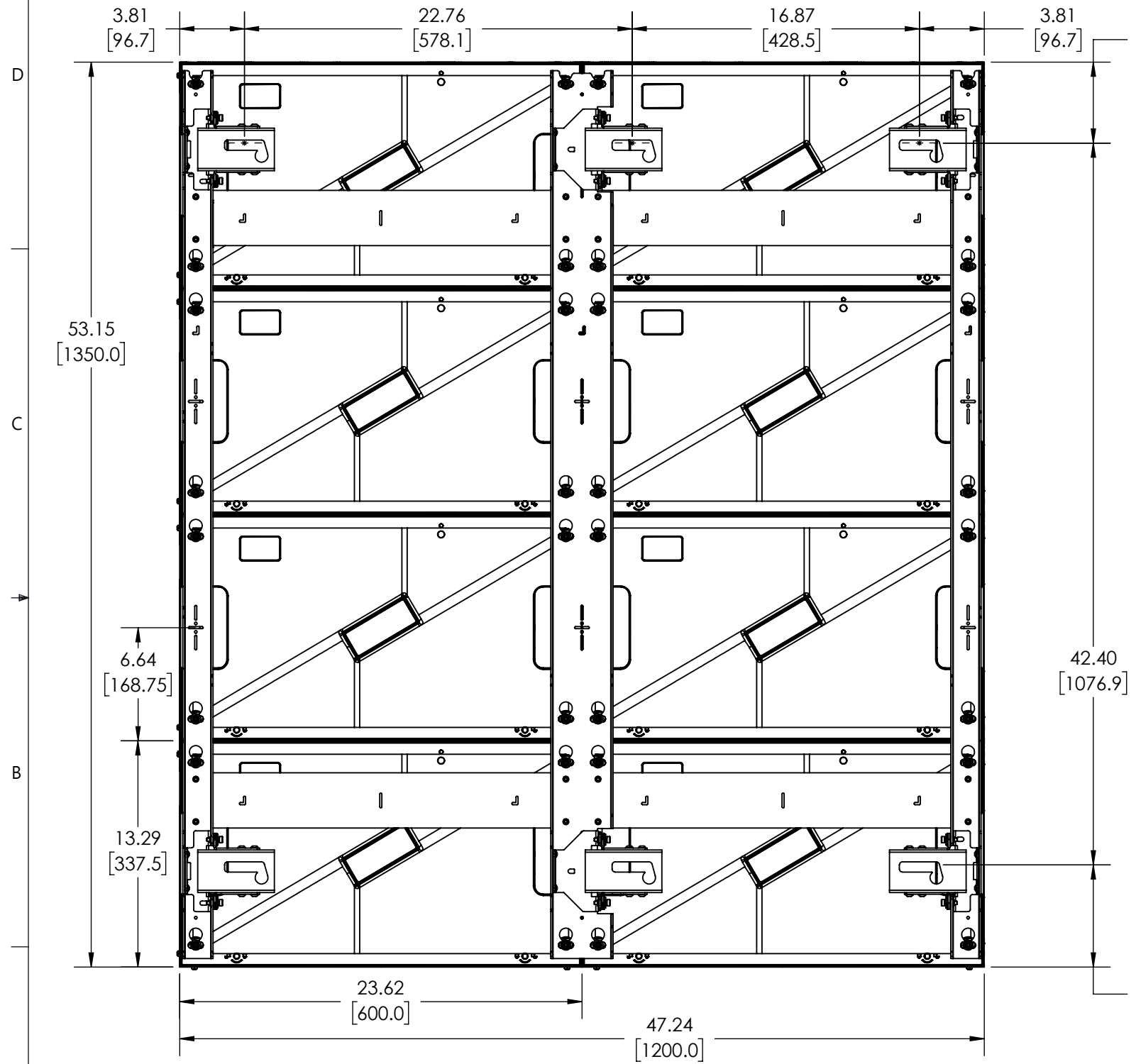
3/4" DEPTH ADJUST
AT EACH LEVELING FOOT



THE INFORMATION AND DESIGNS CONTAINED IN THIS DRAWING ARE CONFIDENTIAL AND THE PROPRIETARY PROPERTY OF LEGRAND | AV. NEITHER THIS DESIGN NOR ANY INFORMATION CONTAINED IN THIS DRAWING MAY BE REPRODUCED OR DISCLOSED TO OTHERS WITHOUT THE EXPRESS WRITTEN CONSENT OF LEGRAND | AV.

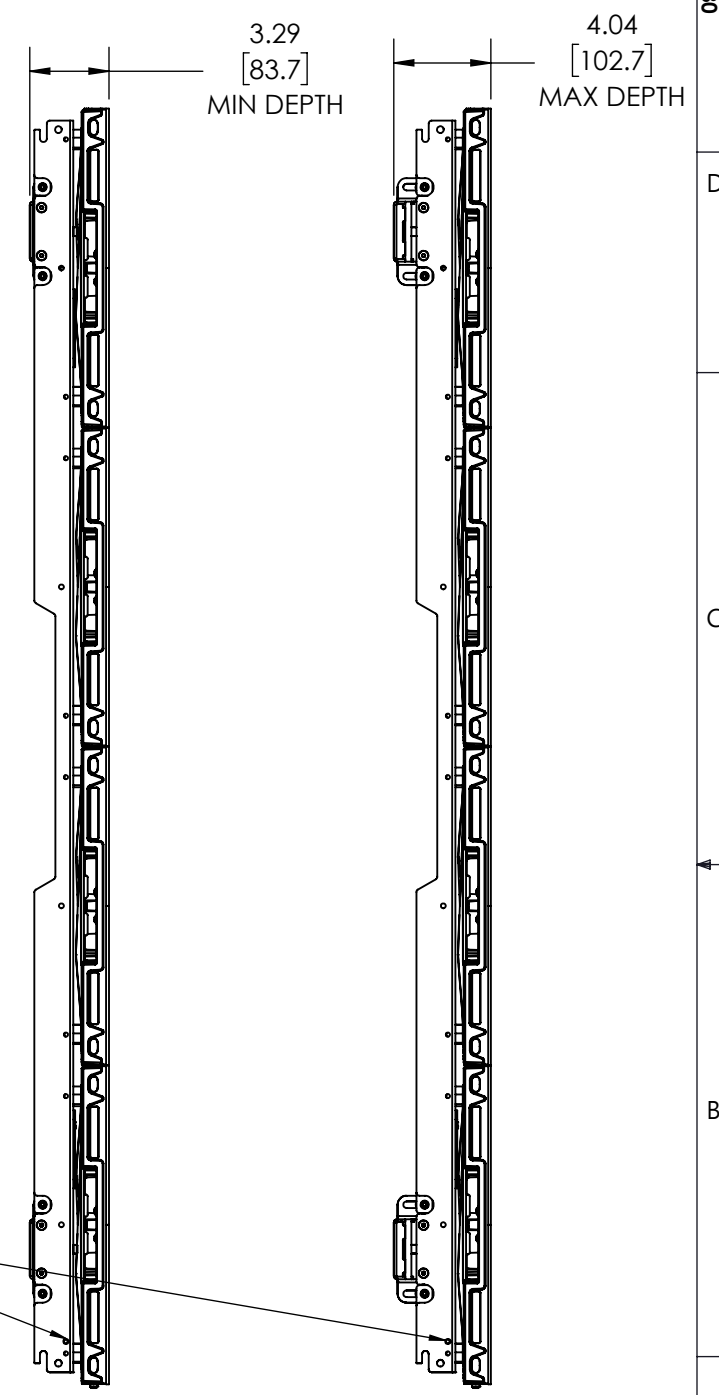
CAD GENERATED DRAWING, DO NOT MANUALLY UPDATE.		CHIEF 6436 CITY WEST PKWY EDEN PRAIRIE, MN, 55344 PHONE: 866-977-3901 FAX: 877-894-6918	
DRAWN BY	JAB	1/4/2022	DESCRIPTION
ENG APPROVAL			TILED 4 HIGH LG2 SERIES MOUNTS
MFG APPROVAL			MODEL NO.
QA APPROVAL			
SHEET 1 OF 3		SCALE 1:8	SIZE DWG. NO. B TECH-001230
			REV. 00

BACK VIEW WITH PANELS



WITH THE LED PANELS REMOVED, YOU CAN ACCESS THE SCREW IN THE MOUNTING BUTTON FROM THE FRONT. THE DEPTH CAN THEN BE ADJUSTED SLIGHTLY UTILIZING AN M3 ALLEN KEY.

A 2-1/2" SELF TAPPING SCREW (INCLUDED) CAN BE INSTALLED IN BOTH THE LEFT AND RIGHT SIDE TO COMPLETELY PREVENT THE LED PANEL FROM BEING LIFTED UP

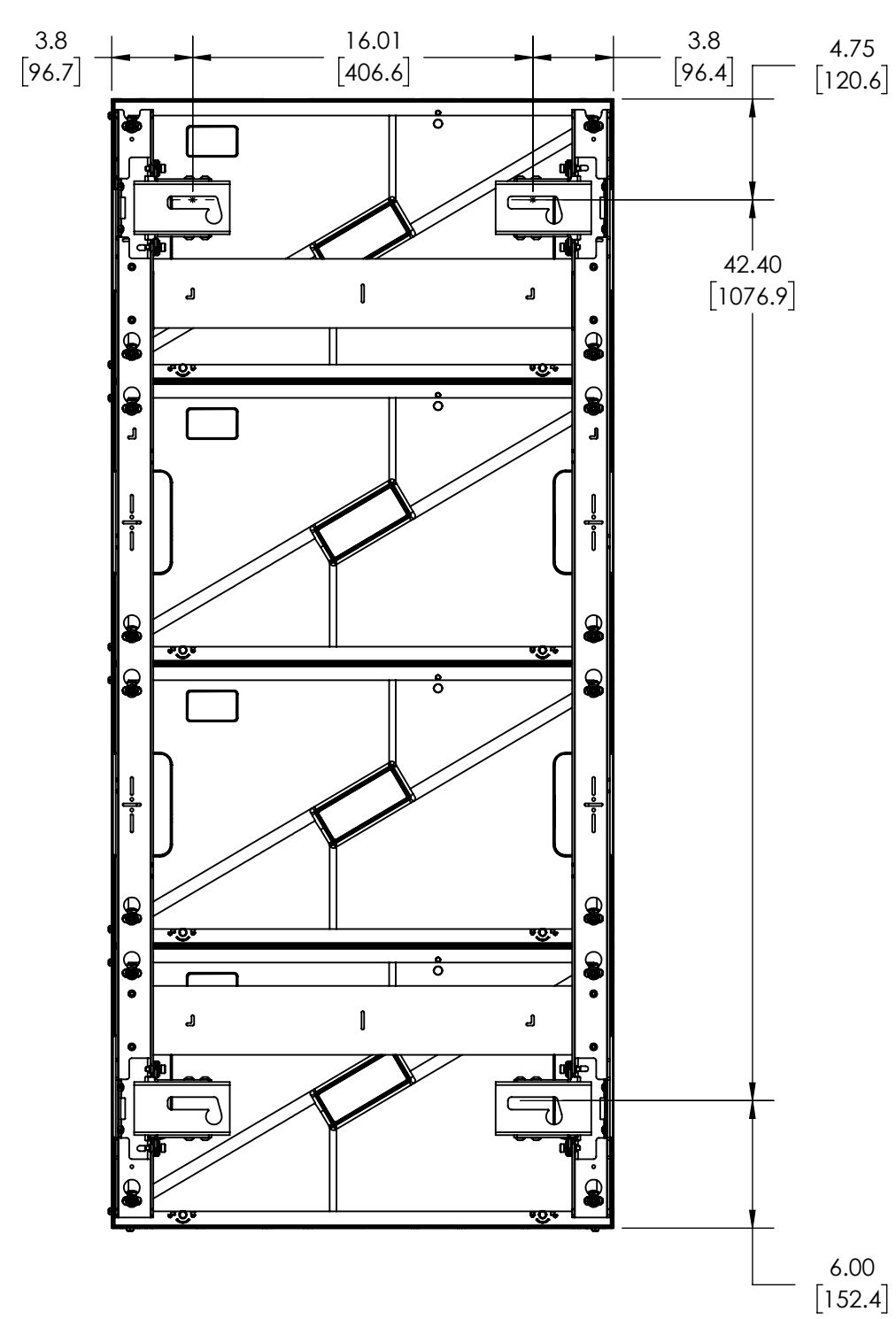
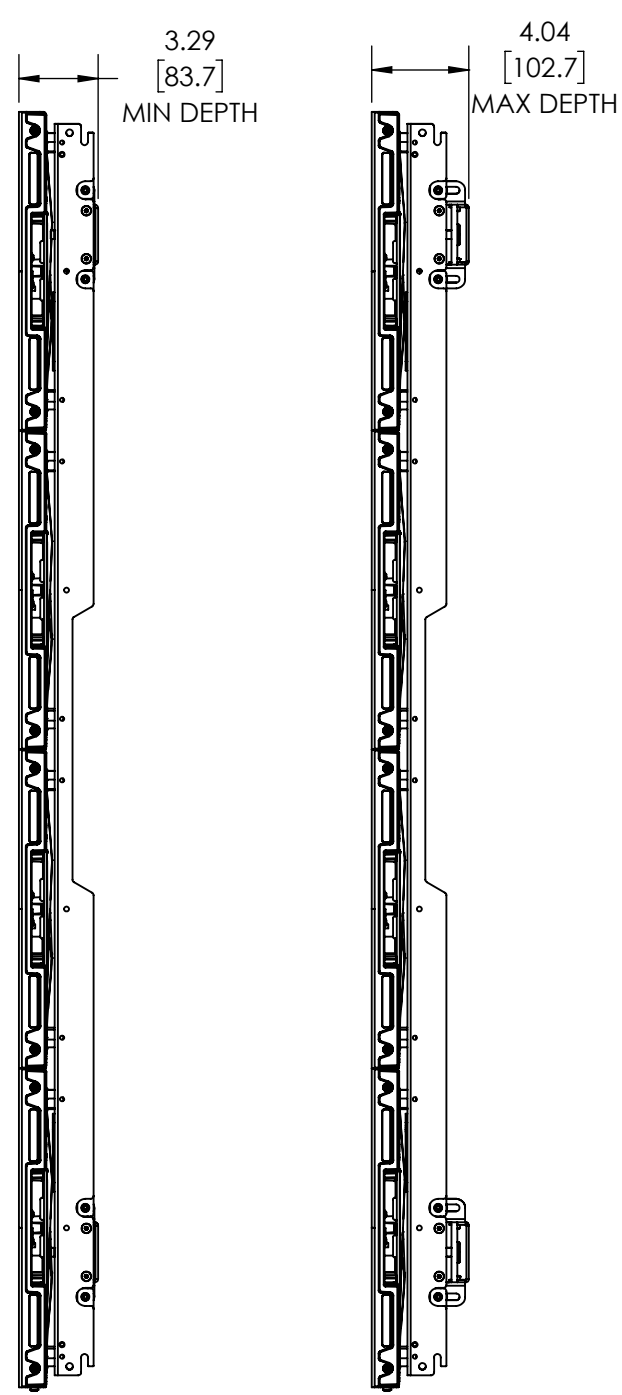
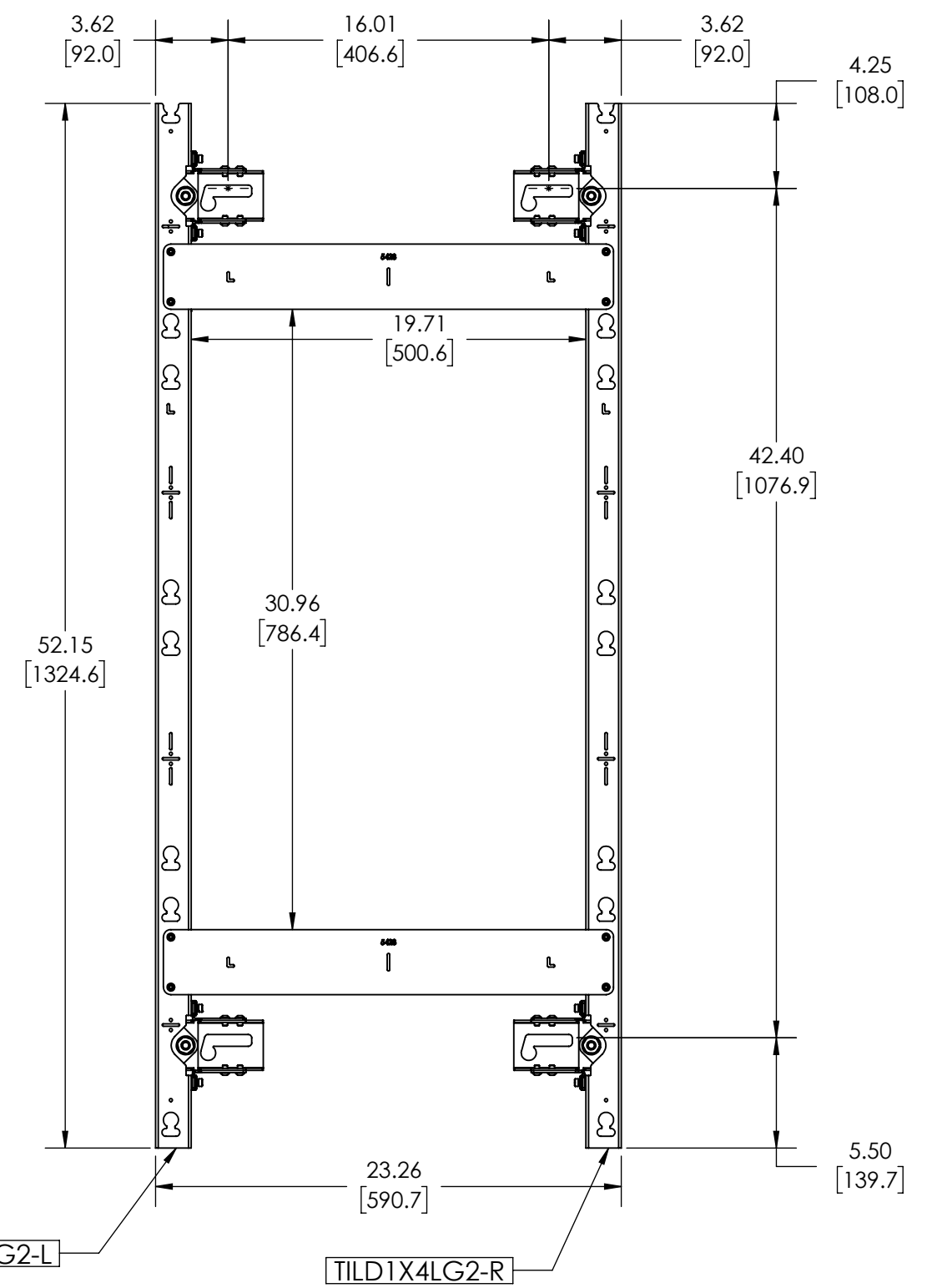


THE INFORMATION AND DESIGNS CONTAINED IN THIS DRAWING ARE CONFIDENTIAL AND THE PROPRIETARY PROPERTY OF LEGRAND | AV. NEITHER THIS DESIGN NOR ANY INFORMATION CONTAINED IN THIS DRAWING MAY BE REPRODUCED OR DISCLOSED TO OTHERS WITHOUT THE EXPRESS WRITTEN CONSENT OF LEGRAND | AV.

CAD GENERATED DRAWING, DO NOT MANUALLY UPDATE.				6436 CITY WEST PKWY EDEN PRAIRIE, MN, 55344 PHONE: 866-977-3901 FAX: 877-894-6918	
DRAWN BY	JAB	1/4/2022	DESCRIPTION		
ENG APPROVAL			TILED 4 HIGH LG2 SERIES MOUNTS		
MFG APPROVAL			MODEL NO.		
QA APPROVAL			REV.		
SHEET 2 OF 3		SCALE	SIZE	DWG. NO.	REV.
		1:8	B	TECH-001230	00

FRONT VIEW
NO PANELS

BACK VIEW
WITH PANELS



TILD1X4LG2-L

TILD1X4LG2-R

THE INFORMATION AND DESIGNS CONTAINED IN THIS DRAWING ARE CONFIDENTIAL AND THE PROPRIETARY PROPERTY OF LEGRAND | AV. NEITHER THIS DESIGN NOR ANY INFORMATION CONTAINED IN THIS DRAWING MAY BE REPRODUCED OR DISCLOSED TO OTHERS WITHOUT THE EXPRESS WRITTEN CONSENT OF LEGRAND | AV.

CAD GENERATED DRAWING, DO NOT MANUALLY UPDATE.				6436 CITY WEST PKWY EDEN PRAIRIE, MN, 55344 PHONE: 866-977-3901 FAX: 877-894-6918	
DRAWN BY	JAB	1/4/2022	DESCRIPTION		
ENG APPROVAL			TILED 4 HIGH LG2 SERIES MOUNTS		
MFG APPROVAL			MODEL NO.		
QA APPROVAL			REV.		
SHEET 3 OF 3		SCALE	SIZE	DWG. NO.	REV.
		1:8	B	TECH-001230	00