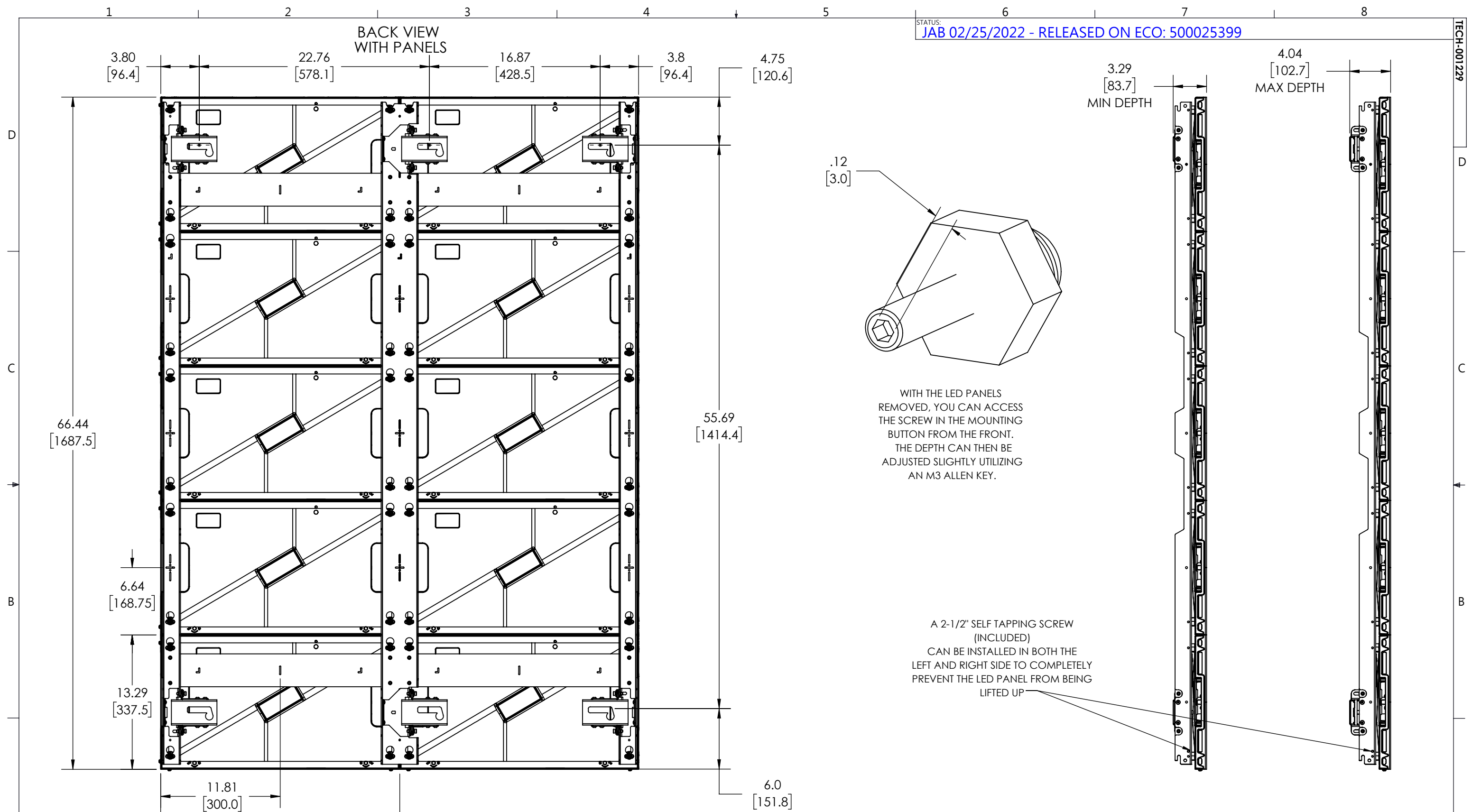


THE INFORMATION AND DESIGNS CONTAINED IN THIS DRAWING ARE CONFIDENTIAL AND THE PROPRIETARY PROPERTY OF LEGRAND | AV. NEITHER THIS DESIGN NOR ANY INFORMATION CONTAINED IN THIS DRAWING MAY BE REPRODUCED OR DISCLOSED TO OTHERS WITHOUT THE EXPRESS WRITTEN CONSENT OF LEGRAND | AV.

| | | | |
|--|-----|--|---------------------------------------|
| CAD GENERATED DRAWING, DO NOT MANUALLY UPDATE. | | CHIEF 6436 CITY WEST PKWY EDEN PRAIRIE, MN, 55344 PHONE: 866-977-3901 FAX: 877-894-6918 | |
| DRAWN BY | JAB | 1/4/2022 | DESCRIPTION |
| ENG APPROVAL | | | TILED 5 HIGH LG2 SERIES MOUNTS |
| MFG APPROVAL | | | MODEL NO. |
| QA APPROVAL | | | REV. |
| SHEET 1 OF 3 | | SCALE 1:9 | SIZE DWG. NO. TECH-001229 |
| | | | 00 |

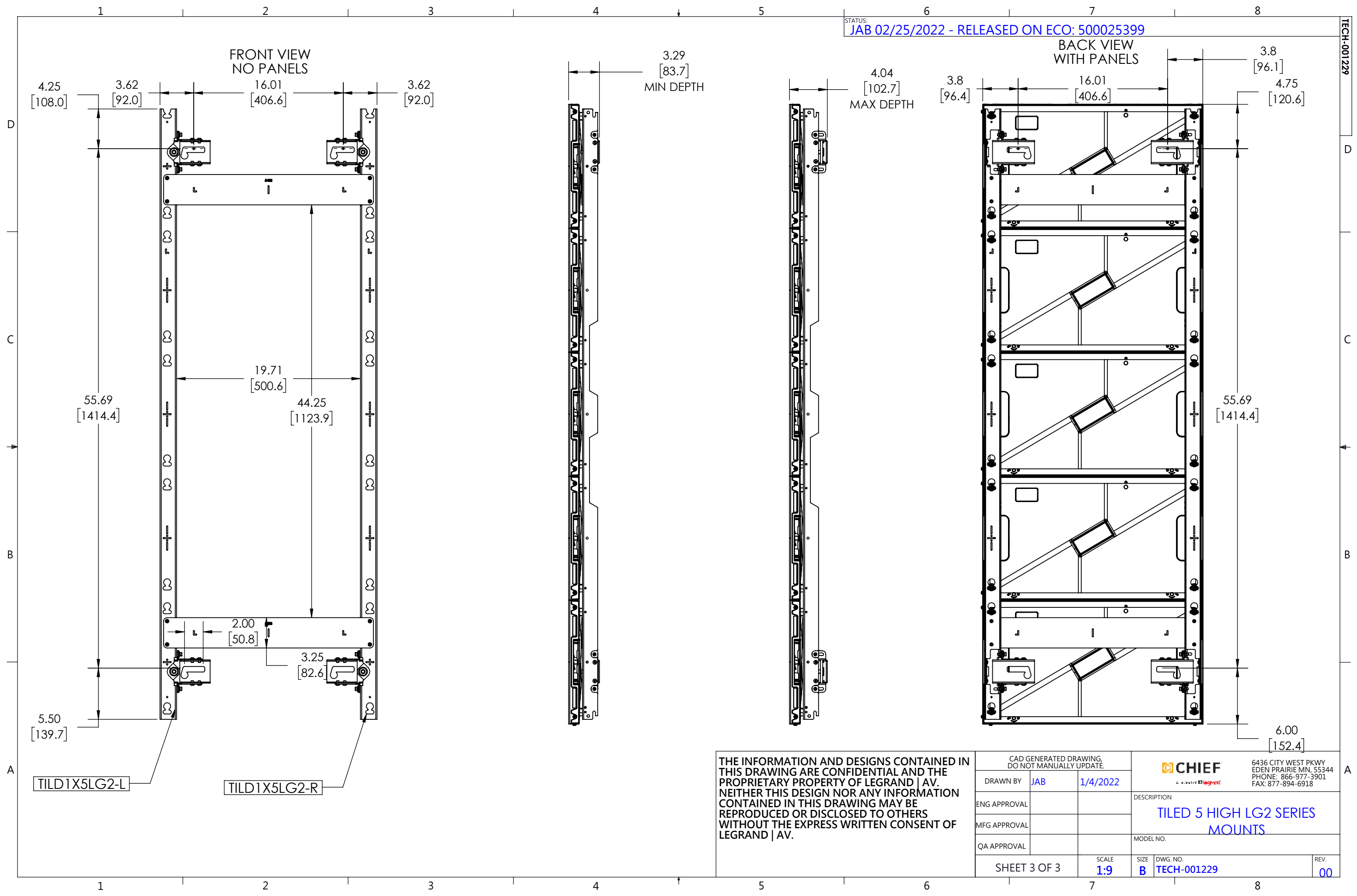


WITH THE LED PANELS REMOVED, YOU CAN ACCESS THE SCREW IN THE MOUNTING BUTTON FROM THE FRONT. THE DEPTH CAN THEN BE ADJUSTED SLIGHTLY UTILIZING AN M3 ALLEN KEY.

A 2-1/2" SELF TAPPING SCREW (INCLUDED) CAN BE INSTALLED IN BOTH THE LEFT AND RIGHT SIDE TO COMPLETELY PREVENT THE LED PANEL FROM BEING LIFTED UP

THE INFORMATION AND DESIGNS CONTAINED IN THIS DRAWING ARE CONFIDENTIAL AND THE PROPRIETARY PROPERTY OF LEGRAND | AV. NEITHER THIS DESIGN NOR ANY INFORMATION CONTAINED IN THIS DRAWING MAY BE REPRODUCED OR DISCLOSED TO OTHERS WITHOUT THE EXPRESS WRITTEN CONSENT OF LEGRAND | AV.

| | | | | |
|--|--------------|--|--|-------------|
| CAD GENERATED DRAWING, DO NOT MANUALLY UPDATE. | | | 6436 CITY WEST PKWY EDEN PRAIRIE, MN, 55344 PHONE: 866-977-3901 FAX: 877-894-6918 | |
| DRAWN BY | JAB 1/4/2022 | | DESCRIPTION | |
| ENG APPROVAL | | <p style="text-align: center;">TILED 5 HIGH LG2 SERIES MOUNTS</p> | | |
| MFG APPROVAL | | | | |
| QA APPROVAL | | MODEL NO. | | |
| SHEET 2 OF 3 | | SCALE | SIZE | DWG. NO. |
| | | 1:9 | B | TECH-001229 |
| | | | | REV. 00 |



TILD1X5LG2-L

TILD1X5LG2-R

THE INFORMATION AND DESIGNS CONTAINED IN THIS DRAWING ARE CONFIDENTIAL AND THE PROPRIETARY PROPERTY OF LEGRAND | AV. NEITHER THIS DESIGN NOR ANY INFORMATION CONTAINED IN THIS DRAWING MAY BE REPRODUCED OR DISCLOSED TO OTHERS WITHOUT THE EXPRESS WRITTEN CONSENT OF LEGRAND | AV.

| | | | | | |
|--|-----|----------|--------------------------------|--|------|
| CAD GENERATED DRAWING, DO NOT MANUALLY UPDATE. | | | | 6436 CITY WEST PKWY EDEN PRAIRIE, MN, 55344 PHONE: 866-977-3901 FAX: 877-894-6918 | |
| DRAWN BY | JAB | 1/4/2022 | DESCRIPTION | | |
| ENG APPROVAL | | | TILED 5 HIGH LG2 SERIES MOUNTS | | |
| MFG APPROVAL | | | MODEL NO. | | |
| QA APPROVAL | | | SCALE | | |
| SHEET 3 OF 3 | | 1:9 | SIZE | DWG. NO. | REV. |
| | | | B | TECH-001229 | 00 |