

## X-DOT X WIRED PICKUP SENSOR

### XD range

The Nexmosphere X-Dot range offers a variety of functions divided into two subdivisions: easy interfacing and wired pick-up sensors. They share their ultra-small form factor and the cable design that offers the flexibility of both bottom and side feed installation. Giving the option to use the Elements directly on a surface or to hide the cable from sight. They're easy to install, use and maintain due to the non-marking double-sided installation tape and high-quality finishing.



### X-Dot X wired pickup sensor

The X-Dot X is a wired pick-up sensor that can also be used as an active security device. The sensor is mounted onto the merchandise using double-sided tape. When a product is lifted or placed back, the X-Dot sends a trigger to the connected Xperience controller. The security function sends triggers whenever merchandising is removed, the wire is cut or pulled out.

### Features

- Pick-up detection sensor
- Active product security
- Auto-calibration

### X-talk

The X-Dot X can easily be connected to any of the Nexmosphere Xperience controllers using the X-talk interface. All settings of the XD sensor are programmable on the controller, enabling a seamless integration in your application.

- Plug and smile interface
- Compatible with any Nexmosphere Xperience controller
- Powered by and configurable with Nexmosphere Xperience controller

### Pickup detection

The sensor registers a pick-up of the merchandise as well as when it is placed back on the shelf (place-down). Both events will be sent as triggers from the Xperience controller to the connected media player, for example, to start a video or illuminate a string of LEDs.

- Programmable sensitivity on the Xperience controller
- Pick-up and place-down registration
- Highly responsive
- False detection eliminated (sensor shake)

### Security

The alarm sensor triggers if the merchandise is removed; cables are cut or the sensor is removed from the Xperience controller. The micro-optical sensor has no moving parts eliminating false alarm caused by most commonly used micro-switches.

- No mechanical moving parts that can break by intense use
- Easy to setup and maintain (plug and secure)
- Status LED clearly indicates alarm status (adjustable via API commands)

### Benefits

- Unique cable connection (bottom feed or side feed) enables invisible cable installation
- Securely mounts on any flat surface, horizontal, vertical or angled
- Easy removable non-marking double-sided tape
- Status LED for visual feedback

# X-DOT X WIRED PICKUP SENSOR

## Mounting specifications

Adhere the sensor to the merchandise using the double-sided adhesive tape on the flat bottom side.

## Thermal specifications

Operating temperature: +10°C...+40°C/ +50°F ... +104°F  
 Storage temperature: -20°C...+50°C/ -4°F ... +122°F

## Electrical specifications

- Operating voltage: 5V DC (via X-talk interface)
- Power consumption: 50mA

## Miscellaneous

- Custom colors and cable lengths available on request (MOQ 50pcs)
- 1-year warranty (optional 3-year extended warranty available)

## Packaging

Items per carton 1, 10 or 50 pcs

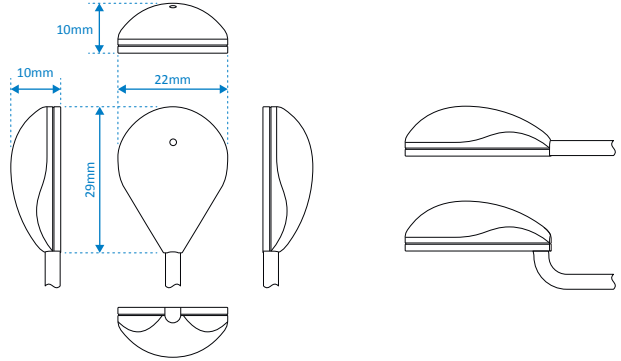
## Standards and Certifications



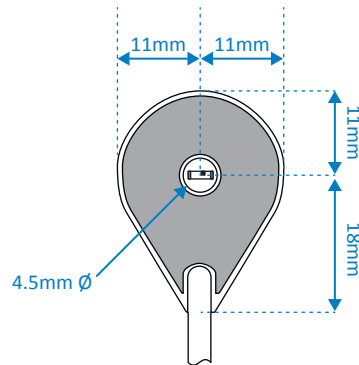
**RoHS**  
compliant

## Mechanical dimensions

LxWxH: 29 x 22 x 10 mm  
 Fixation: Double-sided adhesive tape



## Security sensor placement (bottom/flat side of product)



## Ordering information

Product ID	Description	Netto weight	Quantity
XDW-X16	X-Dot X, Pick-up only, 180cm cable, white	12g	1 pc
XDW-X26	X-Dot X, Security only, 180cm cable, white	18g	1 pc
XDW-X36	X-Dot X, Pick-up & Security, 180cm cable, white	24g	1 pc
XDW-X36C	X-Dot X, Pick-up & Security, 180cm coiled cable, white	32g	1 pc
XDB-X16	X-Dot X, Pick-up only, 180cm cable, black	12g	1 pc
XDB-X26	X-Dot X, Security only, 180cm cable, black	18g	1 pc
XDB-X36	X-Dot X, Pick-up & Security, 180cm cable, black	24g	1 pc
XDB-X36C	X-Dot X, Pick-up & Security, 180cm coiled cable, black	32g	1 pc

## Nexmosphere

High Tech Campus 10 (Mμ building)  
 5656 AE Eindhoven • The Netherlands

T +31 40 240 7070  
 E sales@nexmosphere.com

© 2017-2020 Nexmosphere. All rights reserved. v2.0 / 02-20  
 All content contained herein is subject to change without prior notice.