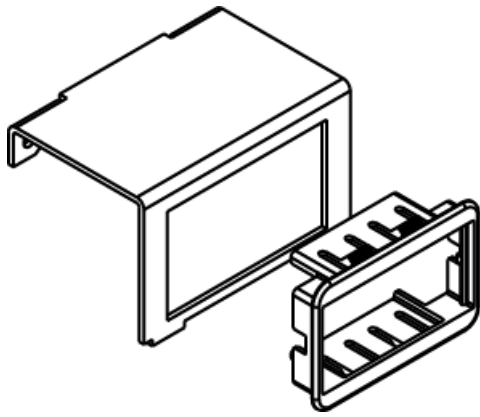




Wiremold
SAF2 1/2 Series Communication Plate
Part No. SGC2-ACT



Single-gang adapter. Includes one (1) Wiremold Open System adapter.

Features & Benefits

Single-gang adapter. Includes one (1) Wiremold Open System adapter.

Specifications

General Info

Product Line	Wiremold	UPC Number	786564141365
Country Of Origin	United States	Construction	Not Assembled
Application Sector	Commercial	Standard	UL Listed Classified Raised Floor Box: File E2961 Guide QCIT, UL Listed Classified Raised Floor Box (prewired): File E51105 Guide QQVX, Meets Article 314 of NEC. Meets Article 12 2500 of CEC.
Type	Floor Box		

Listing Agencies / 3rd Party Agencies

cULus ListingNumber	E2961	cULus Listed	Yes
---------------------	-------	--------------	-----

Buy American Act Compliance

NAFTA	Yes
-------	-----

Additional Information

RoHS Conformant	Yes
-----------------	-----