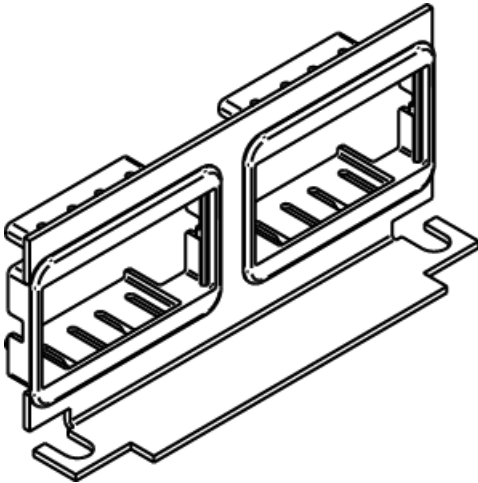




Wiremold
RFB4-CI-1 Series Communication Bracket
Part No. CILT-2-RT



Communication bracket with Ortronics AB2TJ TracJack and ABS2 Series II adapters included. Accepts Ortronics workstation connectivity outlets and modular inserts. Modular jacks sold separately. NOTE: For use with RFB4-CI-1 only.

Features & Benefits

Communication bracket with Ortronics AB2TJ TracJack and ABS2 Series II adapters included. Accepts Ortronics workstation connectivity outlets and modular inserts. Modular jacks sold separately. NOTE: For use with RFB4-CI-1 only.

Specifications

General Info

Product Line	Wiremold	UPC Number	786564006350
Country Of Origin	United States	Construction	Unassembled
Application Sector	Commercial	Standard	cULus Listed Metallic Outlet Boxes: File E2961 Guide QCIT Meets Article 314.27(C) of NEC.
Type	Floor Box		

Dimensions

Product Width US	2.583 in	Product Depth US	0.057 in
Product Length US	4.375 in		

Listing Agencies / 3rd Party Agencies

cULus ListingNumber	E2961	cULus Listed	Yes
---------------------	-------	--------------	-----

Buy American Act Compliance

NAFTA

Yes

Additional Information

RoHS Conformant

Yes
