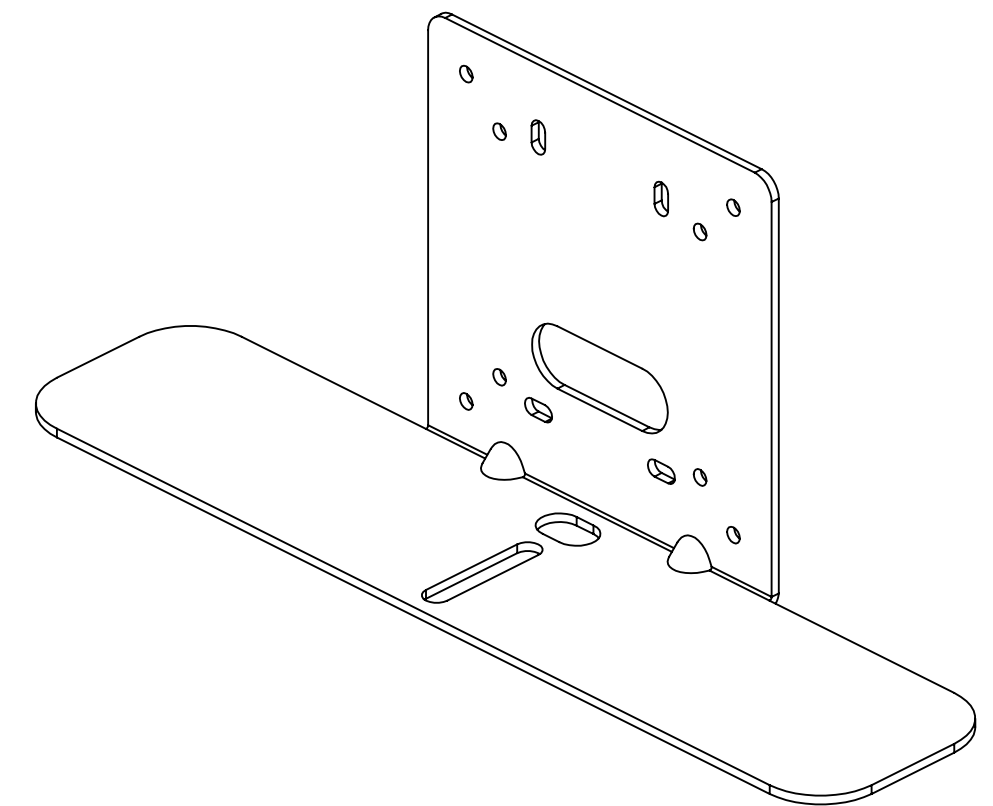
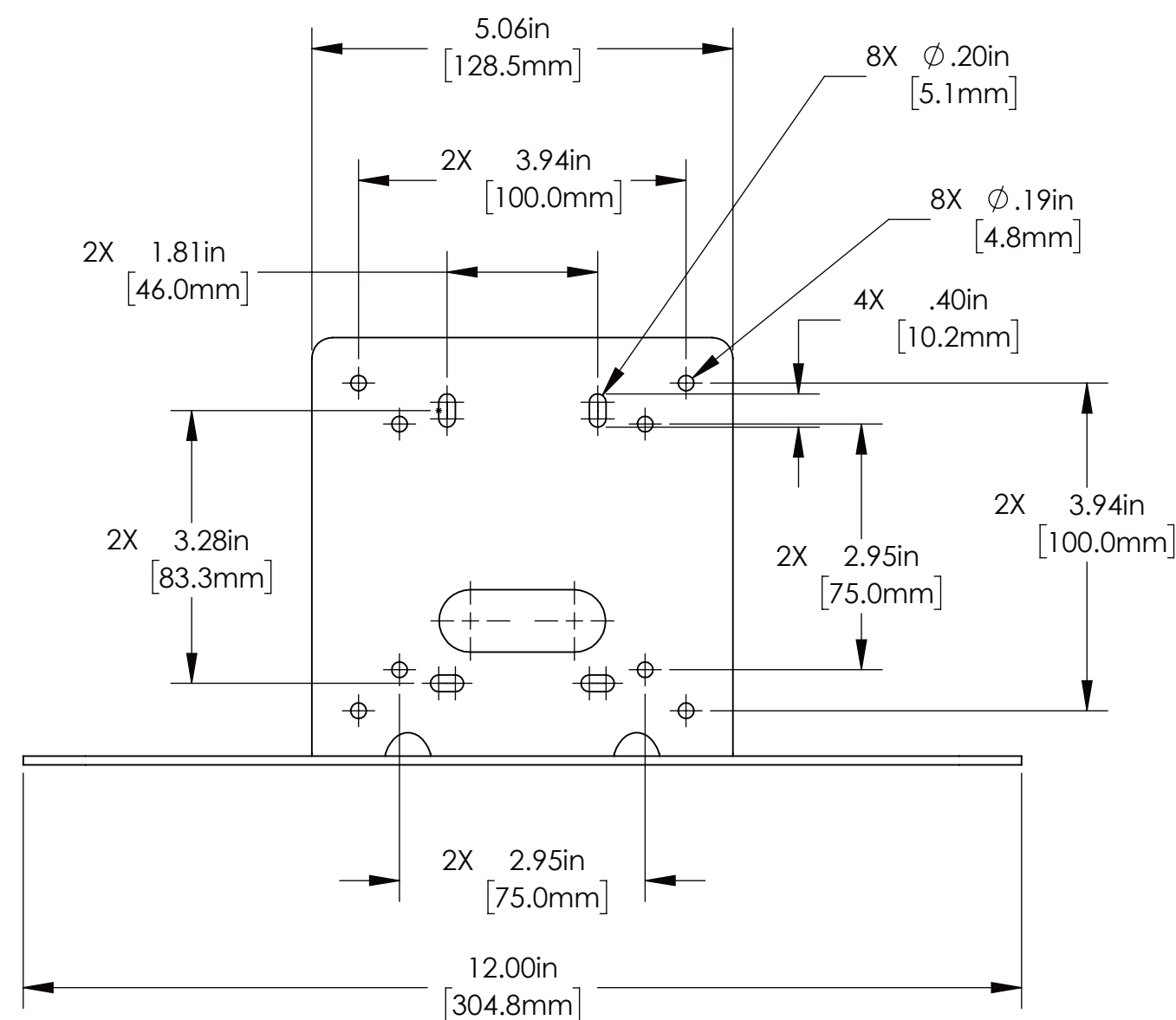


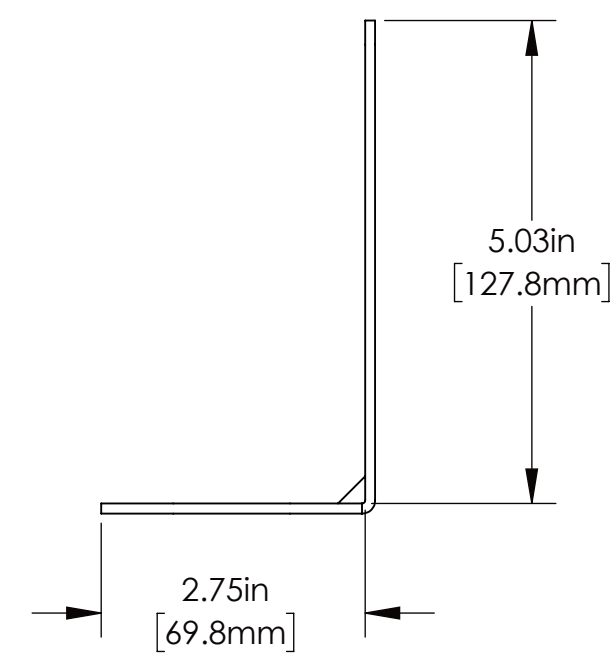
TOP VIEW



ISO VIEW



FRONT VIEW



SIDE VIEW

NOTES:

1. FINISH: POLYESTER POWDER, BLACK FINE TEXTURE, CARDINAL SPEC # C241-BK303.

UNLESS OTHERWISE NOTED: DIMENSIONS ARE IN INCHES DIMENSIONAL LIMITS APPLY AFTER FINISH MACHINED SURFACES 125 EDGES & FILLETS R .005/.015 FRACTIONS ± 1/32 ANGLES ± 1° DEC. XX = ± .015 .XXX = ± .005 .XXXX = ± .0002		THIS DRAWING, INCLUDING ALL SUBJECT MATTERS INDICATED THEREON OR DERIVED THEREFROM, COMPRISES PROPRIETARY INFORMATION AND IS THE EXPRESS PROPERTY OF LEGRAND AV INC. EMPLOYMENT, REPRODUCTION OR DISSEMINATION OF THIS DRAWING, IN WHOLE OR IN PART, WITHOUT WRITTEN PERMISSION OF LEGRAND AV INC IS STRICTLY FORBIDDEN.	
<b>VADDIO</b> A brand of <b>Legrand</b>		DRAWN WLF	CHECKED APPROVED DATE 11/2/22
MATERIAL 12 GA (.105 THK) STEEL		SIZE C	SCALE 1:2
FINISH NOTED		TITLE WALL BRACKET, POLYCOM E70	SHEET 1 OF 1
		DRAWING NO. 342-1701	REV. A