

PF650



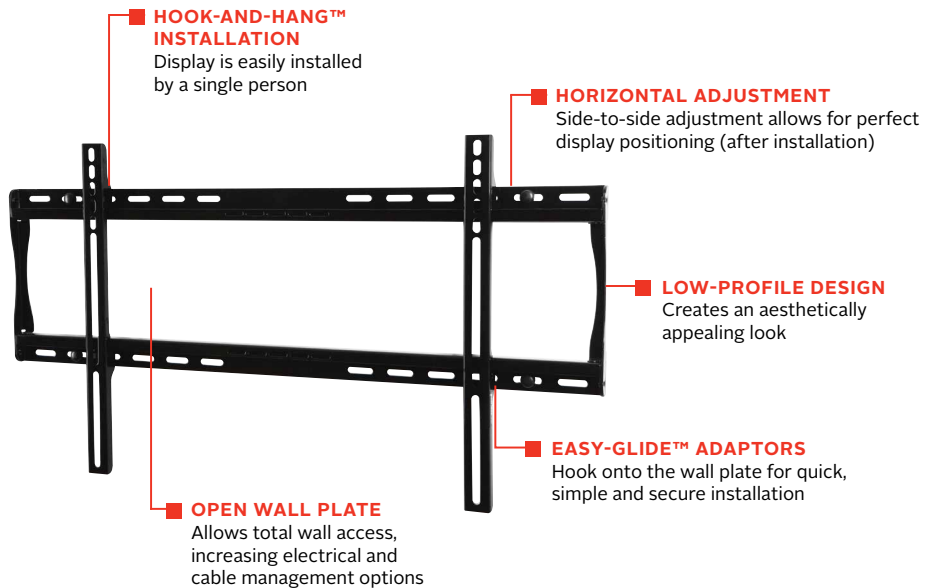
	Mounting Pattern 742 x 405mm (29.23" x 15.95")		Max Load 150lb (68kg)
--	---	--	------------------------------------

PARAMOUNT™ Universal Flat Wall Mount

FOR 39" TO 75" DISPLAYS*

The Paramount™ series wall mounts provide versatile and multi-functional features. With PF650, a low-profile design positions the display just 1.26" (32mm) from the wall. The Hook-and-Hang™ system offers easy, one-person installation of the display. The Easy-Glide™ adaptors hook onto the wall plate for a quick, simple, and secure installation. After installation, achieve perfect display positioning with side-to-side adjustment capabilities.

- Universal mount fits displays with mounting patterns up to 742 x 405mm (29.23" W x 15.95" H) and accommodates up to 600 x 400mm VESA® patterns
- Low-profile design holds display only 1.26" (32mm)
- Horizontal display adjustment up to 8.00" (203mm) for centering display on wall
- Includes all necessary wall and display attachment hardware
- Design is UL listed and tested to four times stated load capacity



Low-profile design for a sleek, yet compact installation.



Comes in color packaging with included installation hardware and easy to follow instructions.

Please visit peerless-av.com/en-us/patents for patent information.

*This display size range is simply a guideline for product selection. Displays larger than the screen size range may still be compatible as long as they fall within the VESA® pattern and max weight of the Peerless-AV® product.

PF650	Paramount™ Universal Flat Wall Mount for 39" to 75" Displays
-------	--

Product Specifications

	DIMENSIONS (W x H x D)	PRODUCT WEIGHT	LOAD CAPACITY	FINISH	AVAILABLE COLORS
PF650	30.87" x 16.89" x 1.26" (784 x 429 x 32mm)	5.40lb (2.45kg)	150lb (68kg)	Scratch Resistant Fused Epoxy	Gloss Black

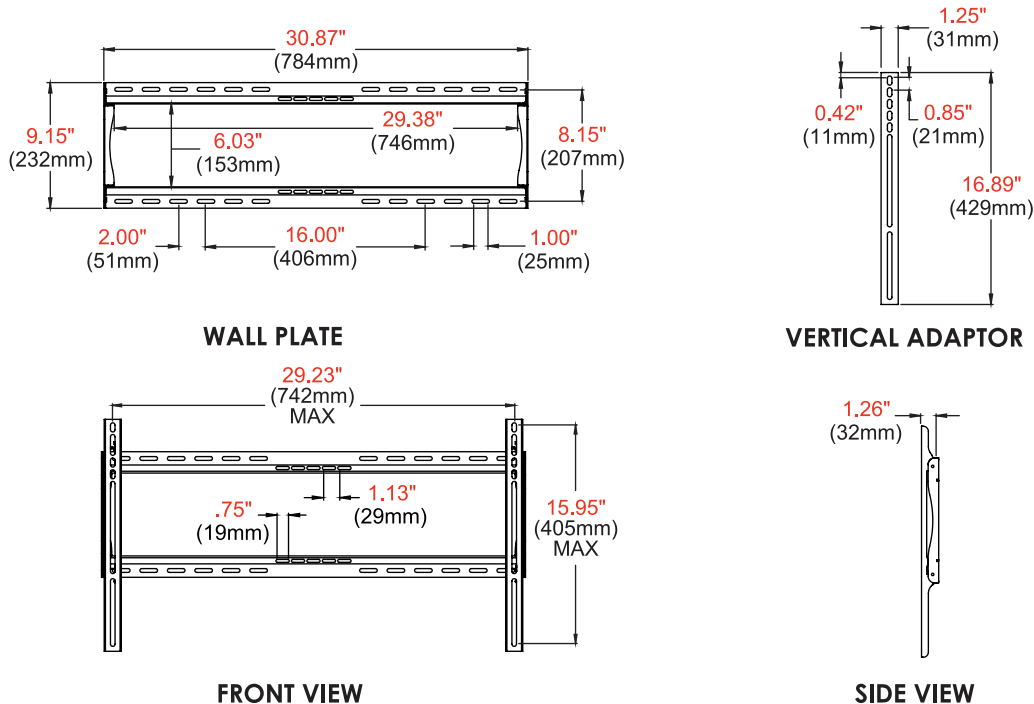
Package Specifications

	PACKAGE SIZE (W x H x D)	PACKAGE SHIP WEIGHT	PACKAGE UPC CODE	PACKAGE CONTENTS	UNITS IN PACKAGE
PF650	33.62" x 1.57" x 10.71" (854 x 40 x 272mm)	7.15lb (3.24kg)	735029255017	Wall Mount, Wall and Display Installation Hardware, Installation Instructions	1

Accessories

- ACC309:** Video Conference Shelf
- ACC415:** 4-pack Metal Stud Fastener Kit
- ACC925:** Security Fasteners for V200x200 to V800x400 Mounts
- ACC-M835:** Security Fast-Pack, M8x25 & M8x35
- ACC-UCM:** Universal AV Component Mount
- ACC-V600X:** 600mm Extension for 400mm Adaptors
- ACC-V900X:** 600, 800 or 900mm Extension for 400mm Adaptors
- ACC-WMVCs:** Video Conferencing Shelf
- ACSBR1:** Universal Sound Bar Mounting Kit
- ESHV models:** AV Wall Shelves
- IBA4-W:** Easy Mount Recessed Low Voltage Cable Plate
- IBA5-W:** Recessed Low Voltage Media Plate w/ Duplex Surge Protector
- IB14X9-W:** 14x9" In-Wall Box
- IB14X9-AC-W:** 14x9" In-Wall Box with Duplex Surge Protector
- IB14X14-W:** 14x14" In-Wall Box
- IB14X14-AC-W:** 14x14" In-Wall Box with Duplex Surge Protector

All dimensions = inch (mm)



Architect Specifications

The Paramount™ Universal Flat Wall Mount shall be a Peerless-AV model PF650 and shall be located where indicated on the plans. Assembly and installation shall be done according to instructions provided by the manufacturer.

Visit peerless-av.com to see the complete line of AV solutions from Peerless-AV, including outdoor displays, kiosks, display mounts, projector mounts, carts/stands, and a full assortment of accessories.

Peerless-AV
2300 White Oak Circle
Aurora, IL 60502 USA
(800) 865-2112
(630) 375-5100
Fax: (800) 359-6500

Peerless-AV EMEA
Unit 3 Watford Interchange
Colonial Way, Watford
Herts, WD24 4WP
United Kingdom
+44 (0) 1923 200100
Fax: +44 (0) 1923 200101

Peerless-AV Latin America
Av. de las Industrias 413
Parque Industrial Escobedo
General Escobedo, N.L.,
México, 66062
+52 (81) 8384-8300
Fax: +52 (81) 8384-8360

