

# Performance 1

Sales kit

## Performance 1 FT Features

### Outstanding Cooling and High Compatibility

- The airflow-enhanced front panel design, magnetic front filter, and pre-installed 3 x 140mm PWM fans of 30mm thickness and 1 x 120mm PWM fan of 30mm thickness provide highly efficient airflow and cooling performance.
- The extensive interior supports up to 10 fans, a 420mm radiator at the front, 3 x 140mm fans at the top, and 3 x 120mm fans at the top of the PSU shroud to enhance the cooling.
- The 1.2mm mesh front panel reaches the balance between ventilation and dust prevention.
- The tool-free side panels and removable top radiator bracket make the installation much easier.
- The cable covers and velcro straps can beautify the cable routing.
- Including the mainstream Type-C(10Gbps) port for high-speed transfer.
- The built-in temperature monitor display allows users to glance at the hardware status.
- Supports the latest NVIDIA 40 Series GPUs.
- Full-open PCI-e slots support most of the vertical GPU brackets.



# Performance 1 Design

## High Compatibility Full-Tower PC Case with Massive Airflow

- Considering the increasing demands for CPU & GPU cooling, we brought out the design to enhance the air intake, cable routing, and installation. We integrated the hardware with the software and added the temperature display function.
- To cope with the demands for cooling, we took the grid-shaped dust filter and combined it with the magnetic louver front panel, providing massive airflow and easy to remove.
- The minimal cable cover design can beautify cable routing. Dual tempered glass side panels can satisfy the needs for hardware showcase.
- From the high compatibility design and optimized cable covers to well-designed cable routing were all designed for meeting users' needs



# Performance 1 Fans

## PWM Fans of 30mm Thickness

All in 30mm thickness to enhance the heat dissipation

- Front: 3 x 140mm PWM fans of **30mm thickness** provide massive air intakes.
- Rear: 1 x 120mm PWM fan of **30mm thickness** for better heat dissipation.

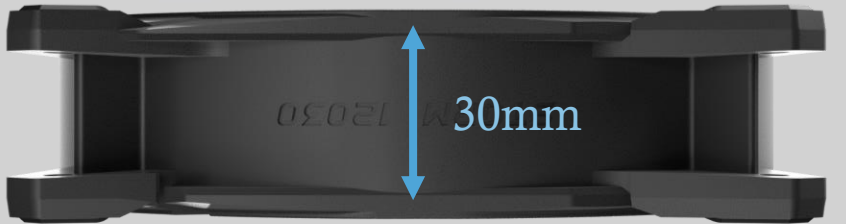


# Performance 1 Fans

## Storm T3 PWM Fan

- The fan blades are thicker and longer, efficiently increasing the air intake. The fan thickness increased from the standard 25mm to 30mm to efficiently enhance the air volume, upgrading the performance.
- The PWM function can automatically detect and adjust the fan speed for CPU heat dissipation in different environments. It is also helpful for decreasing fan noise.
- The included 1-to-3 fan splitter cable supports PWM function and makes cable routing easy.

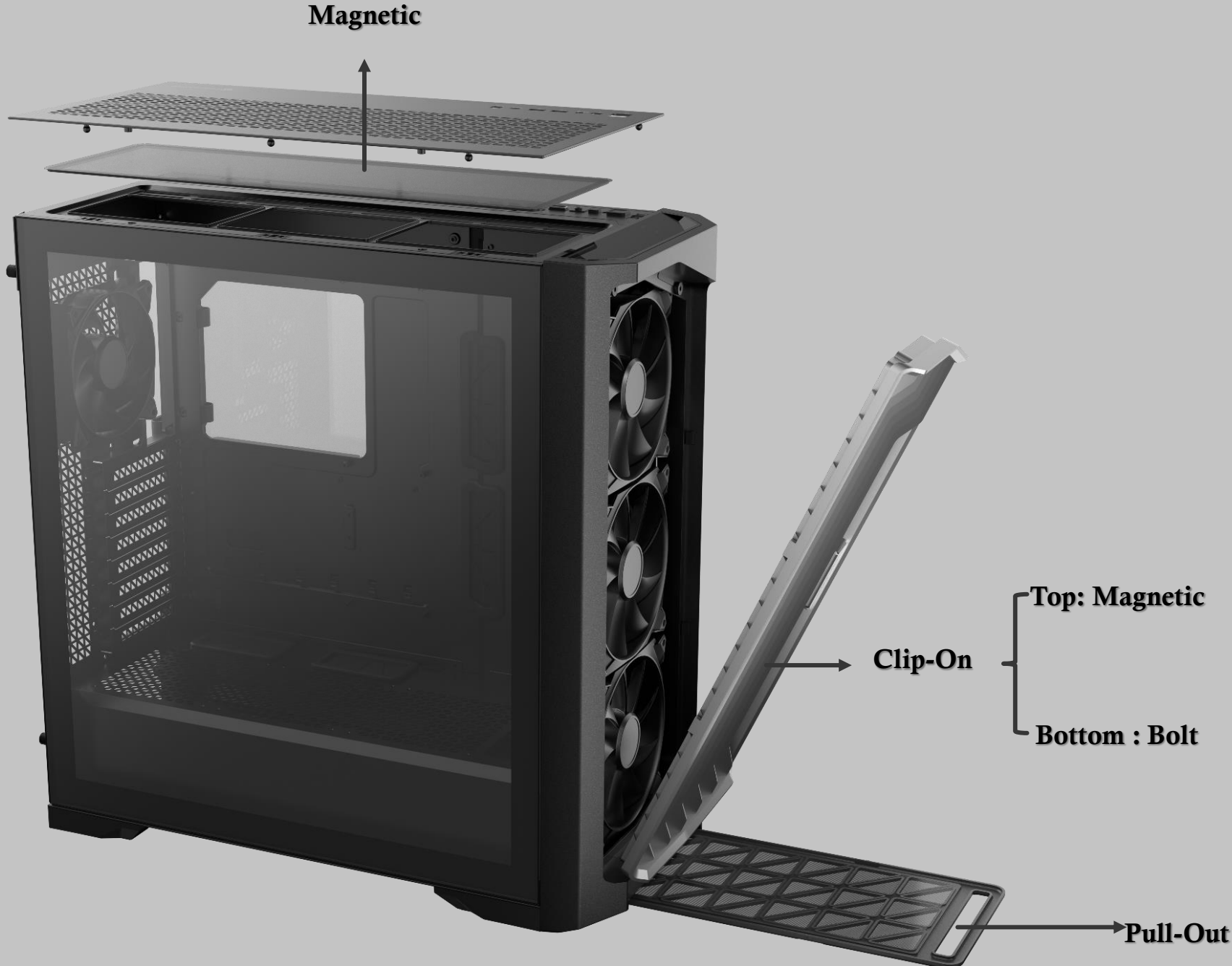
※Attention: the fan splitter cable cannot control the fan speed separately.



# Performance 1 Dust Prevention

## Massive Dust Filters

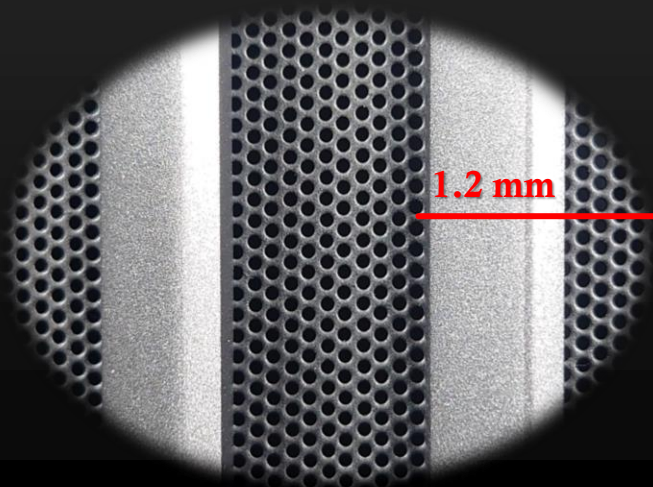
- Top: Magnetic dust filter  
Between the top panel and the removable cooling bracket.
- Front: Magnetic & clip-on dust filter.
- Bottom: Pull-out dust filter.



# Performance 1 Air Intake

## Mesh Panel with 1.2mm Diameter Vent Holes

- The mesh front panel adopts the magnetic & clip-on design with easy access. It can be removed individually to clean.
- The 1.2mm vent holes reach the balance between air intake and dust prevention.



# Performance 1 Airflow

## Airflow Paths

### Better Heat Dissipation

- Supporting up to 10 fans simultaneously to create an excellent airflow system.
- Massive air intake at the front enhances the cooling.





# Performance 1 Side Panel

## Dual Tempered Glass Side Panels

### Dual Sides for PC Showcase

- Dual sides for PC showcase: Besides the left-side hardware showcase, the cable cover design on the right side allows users who are not good at cable routing to showcase their SSDs easily.

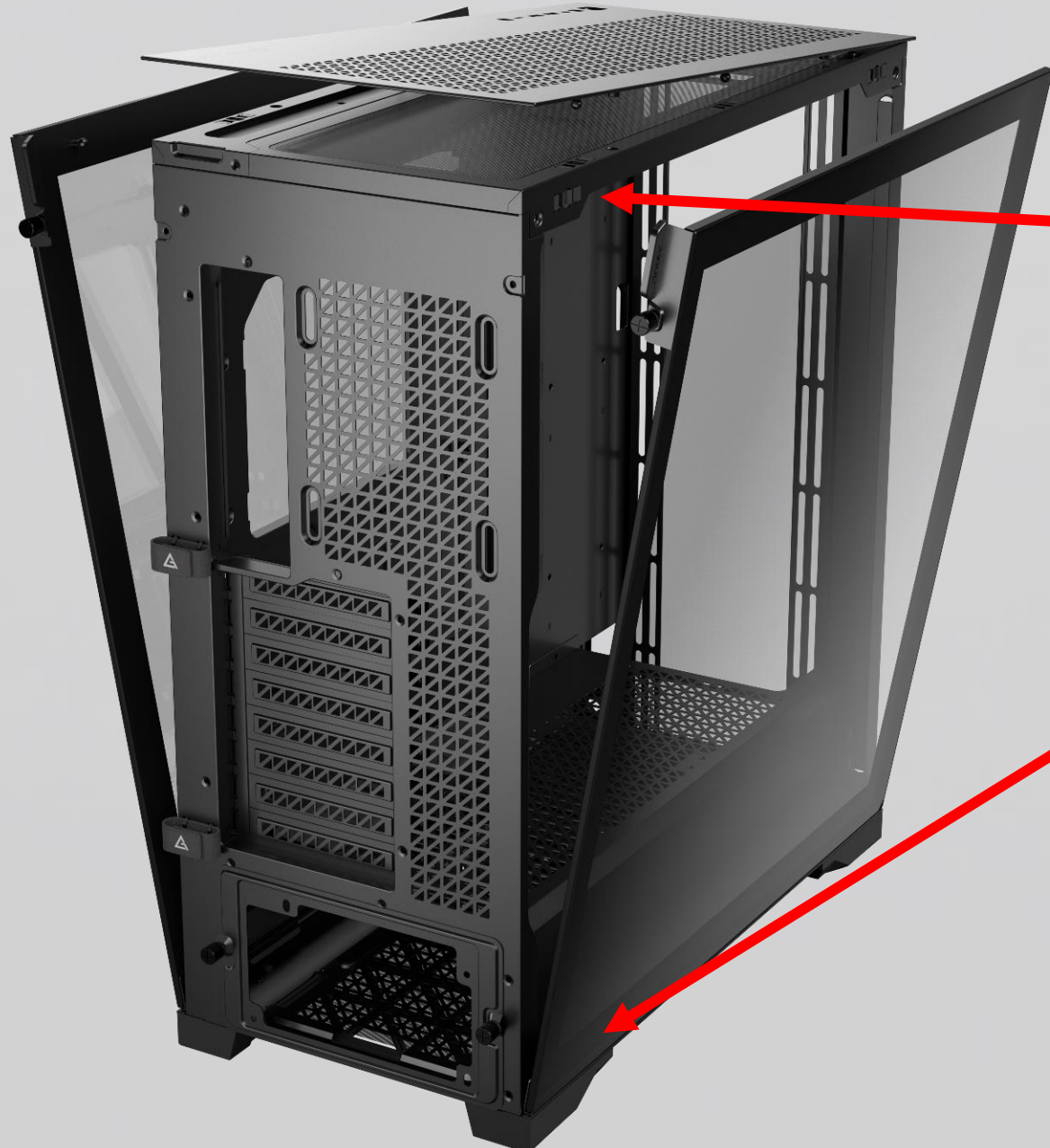


# Performance 1 Side Panel Structure

## Clip-On Design

### Drop-Proof & Tool-Free

- Both 4mm edge-to-edge tempered glass side panels with drop-proof design decrease the risk of fall-off during installation.
- The side panels come with a clip-on design and captive thumbscrews. The top and side panels can be removed easily with a tool-free design.



Plastic Stud

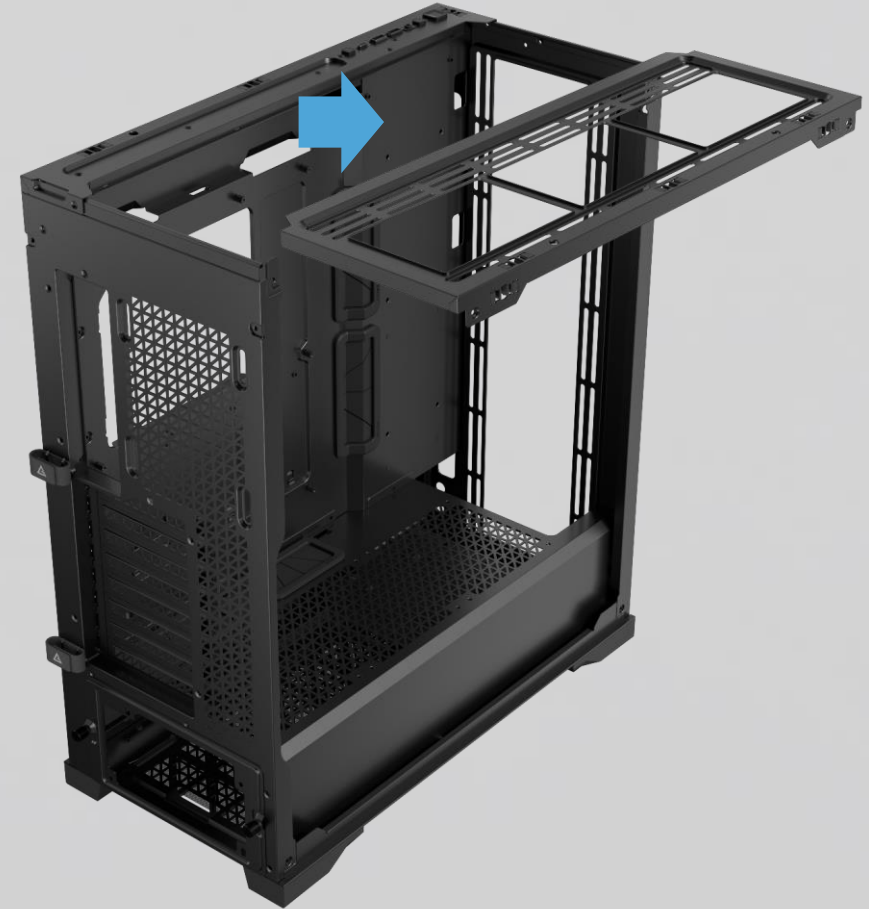


Drop-Proof Hook

# Performance 1 Structure

## Removable Top Cooling Bracket

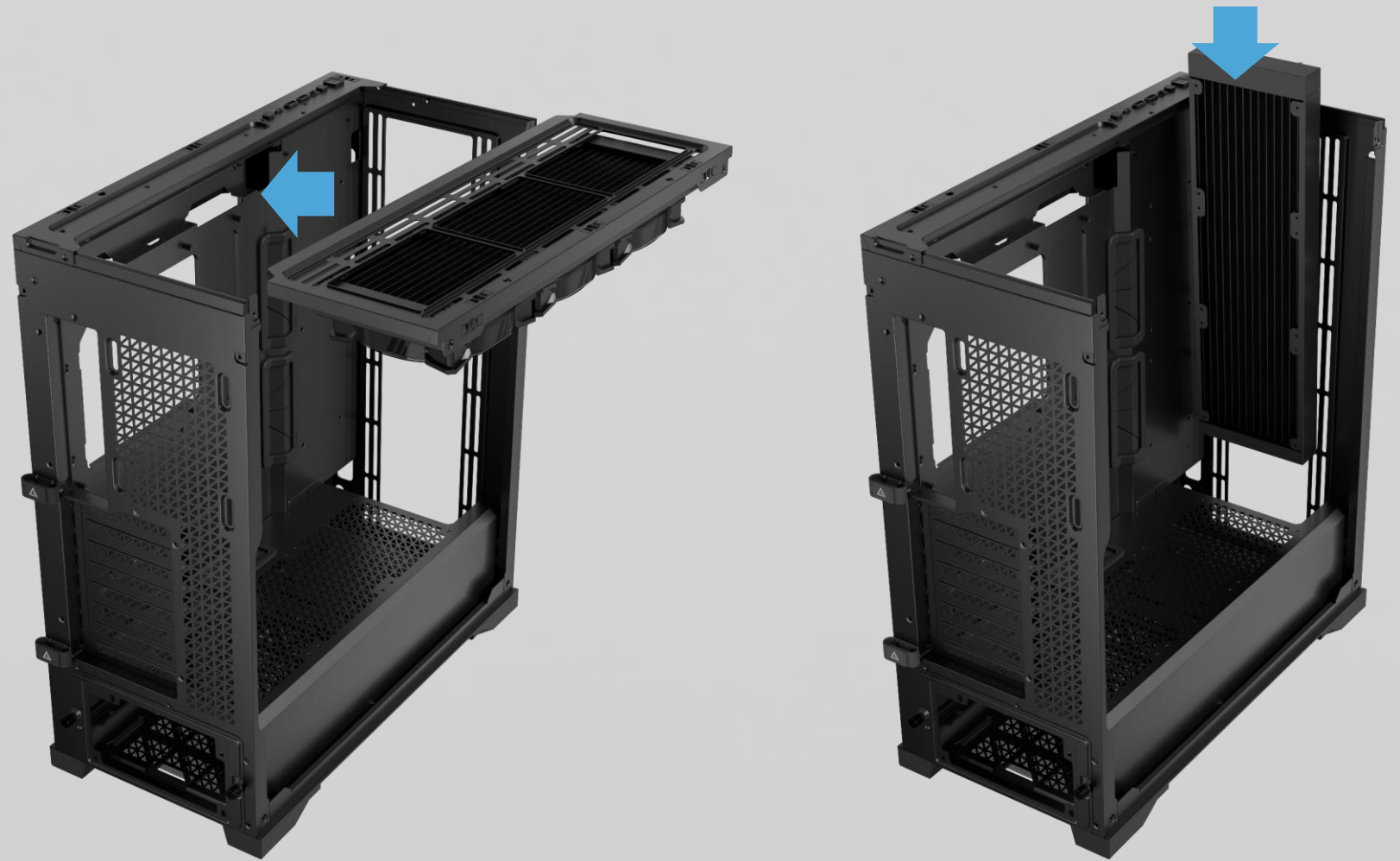
- Removal: Take off the top panel and magnetic dust filter, then release the screws located on two ends of the left side to remove the cooling bracket.



# Performance 1 Structure

## The Convenience of The Top Cooling Bracket

- The top cooling bracket not only makes top cooling installation easy but also improves the front cooling installation issues.
- The clearance for top cooling installation is 60mm.



# Performance 1 Structure

## The Convenience of Cooling Bracket

- The removable top cooling bracket also gives space for installing other hardware and routing the cables from the top without being limited to the side window.

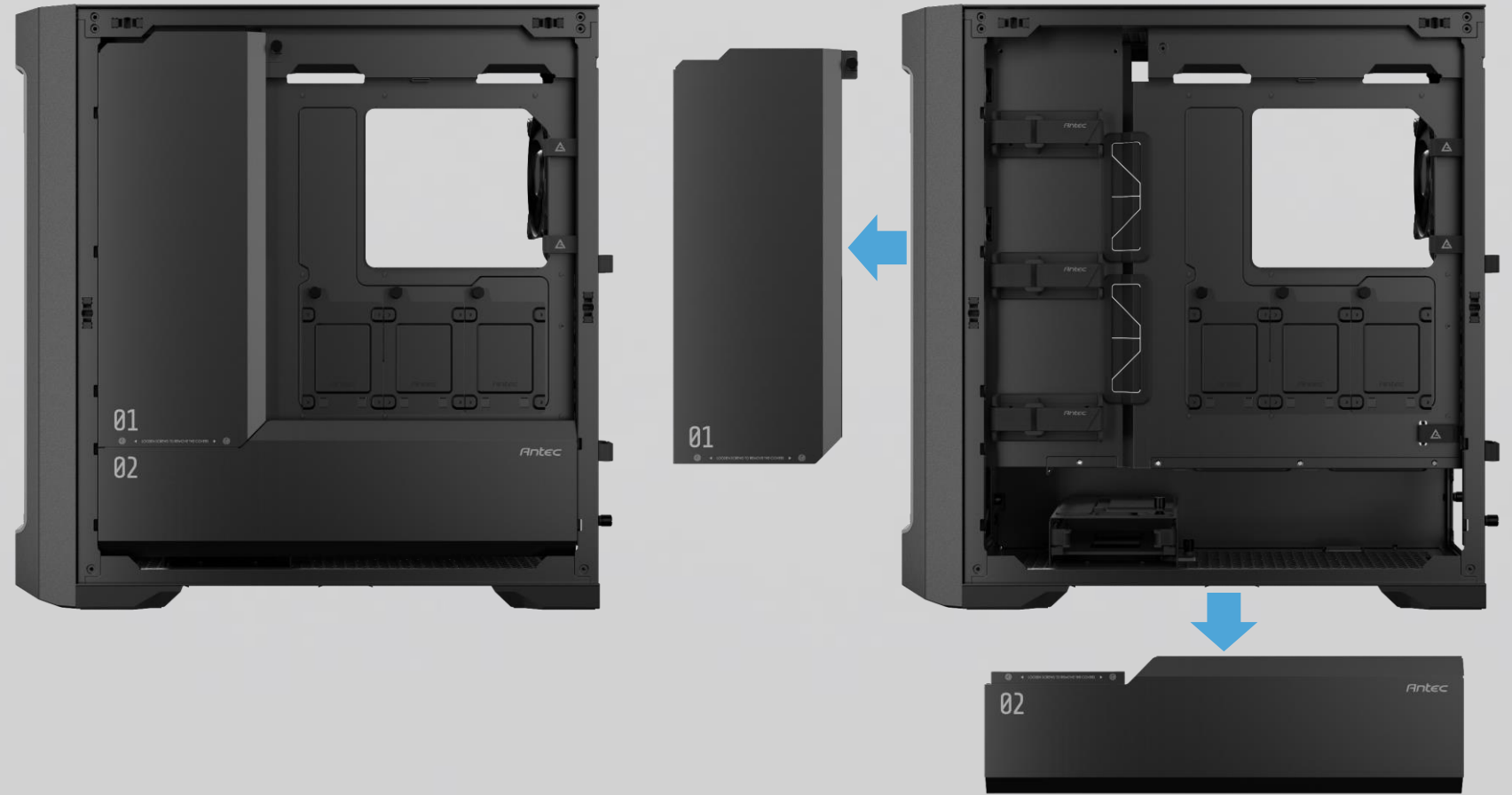


# Performance 1 Structure

## Cable Cover Design

### Beautify Cable Routing

- Two cable covers in the cable management area.  
01 - Motherboard Cable Cover  
02 - PSU Cable Cover
- Slide-out cable cover with a captive thumbscrew at the top. The joint of the two covers is fastened by two screws
- To route the cable, users only need to remove the 01 cable cover. To install hard drives or replace the PSU, users need to remove both covers.



# Performance 1 Structure

## Cable Routing Design

- There are three sets of velcro straps in the cable management area: The left side is for the thin cable like fan and I/O cables. The right side is for thicker cables like hardware and power supply cables. It is for easy cable routing.
- Three velcro straps at the back for CPU cable for beautifying the routing.



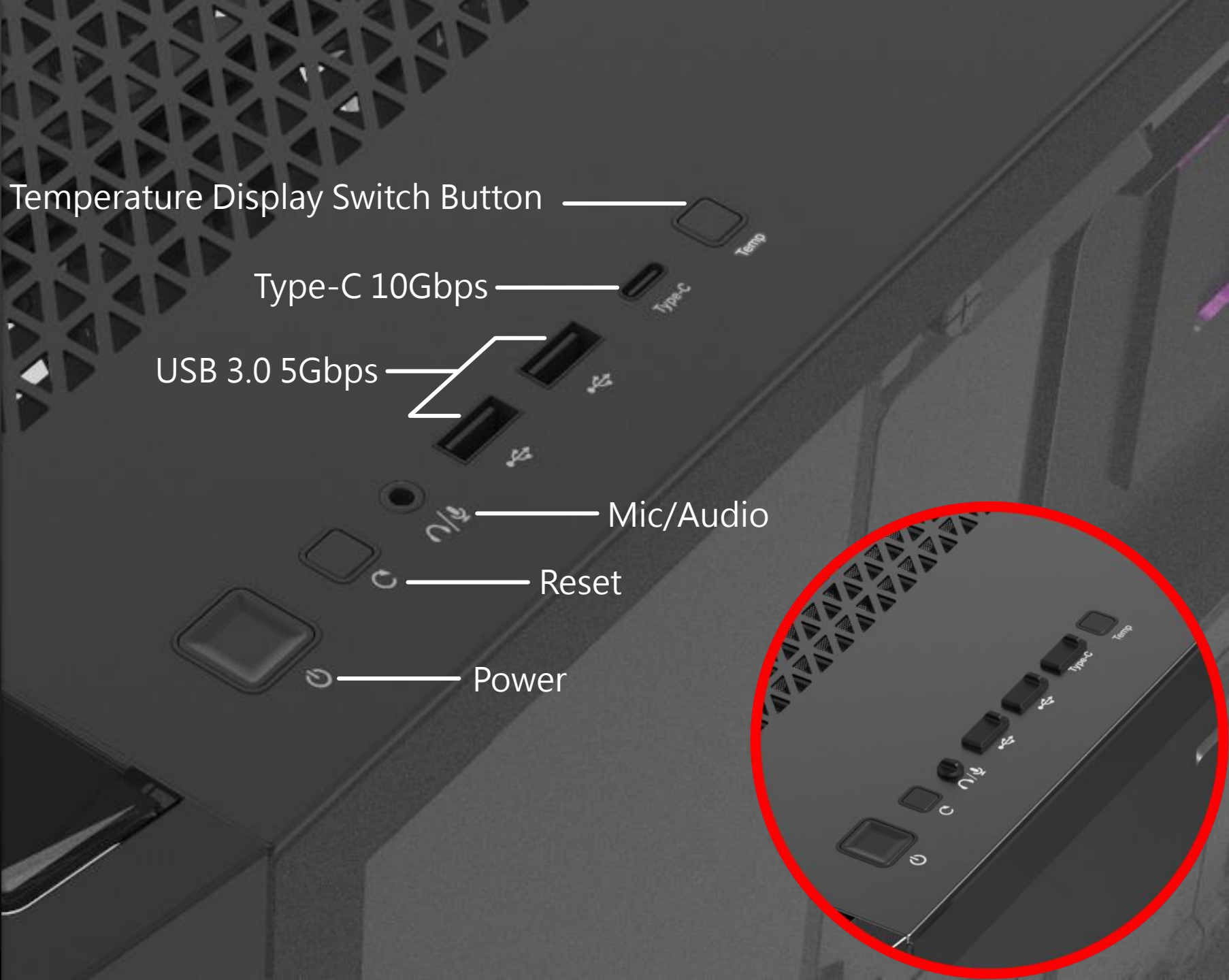




# Performance 1 Structure

## I/O Panel

- Including the mainstream Type-C(10Gbps) port for high-speed transfer.
- The temperature display can be switched from CPU temperature to GPU temperature. Display can also be turned off via the button.
- Mic/Audio 2-in-1 port meets the mainstream marketing needs.
- Included dust plugs for dust prevention.



Temperature Display Switch Button

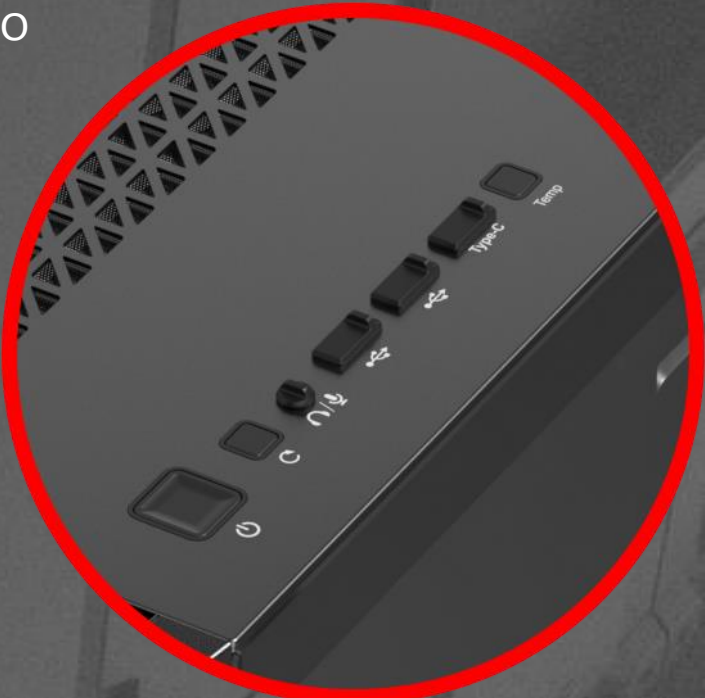
Type-C 10Gbps

USB 3.0 5Gbps

Mic/Audio

Reset

Power



# Performance 1 Structure

## Temperature Display

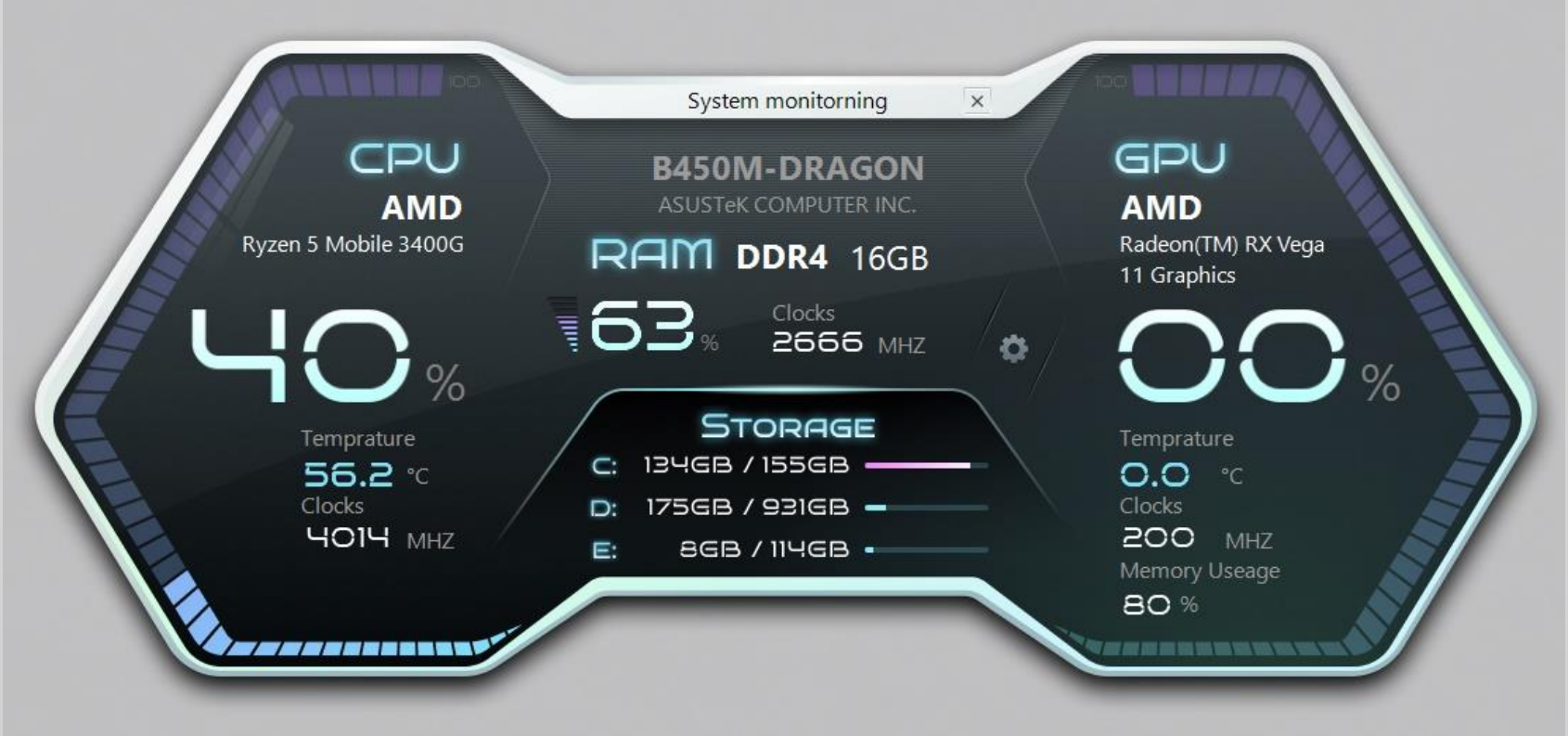
- The display screen located on the case top allows users to check the temperature of the GPU and CPU with a glance.
- It satisfies the need for temperature monitoring without purchasing expensive cooling kits.



# Performance 1 Structure

## iUnity UI

- The temperature display fetches temperature-related data via our latest monitoring software.
- The monitoring software can let users instantly know their PC specs, loads, and usage.



# Performance 1 Structure

## Storage

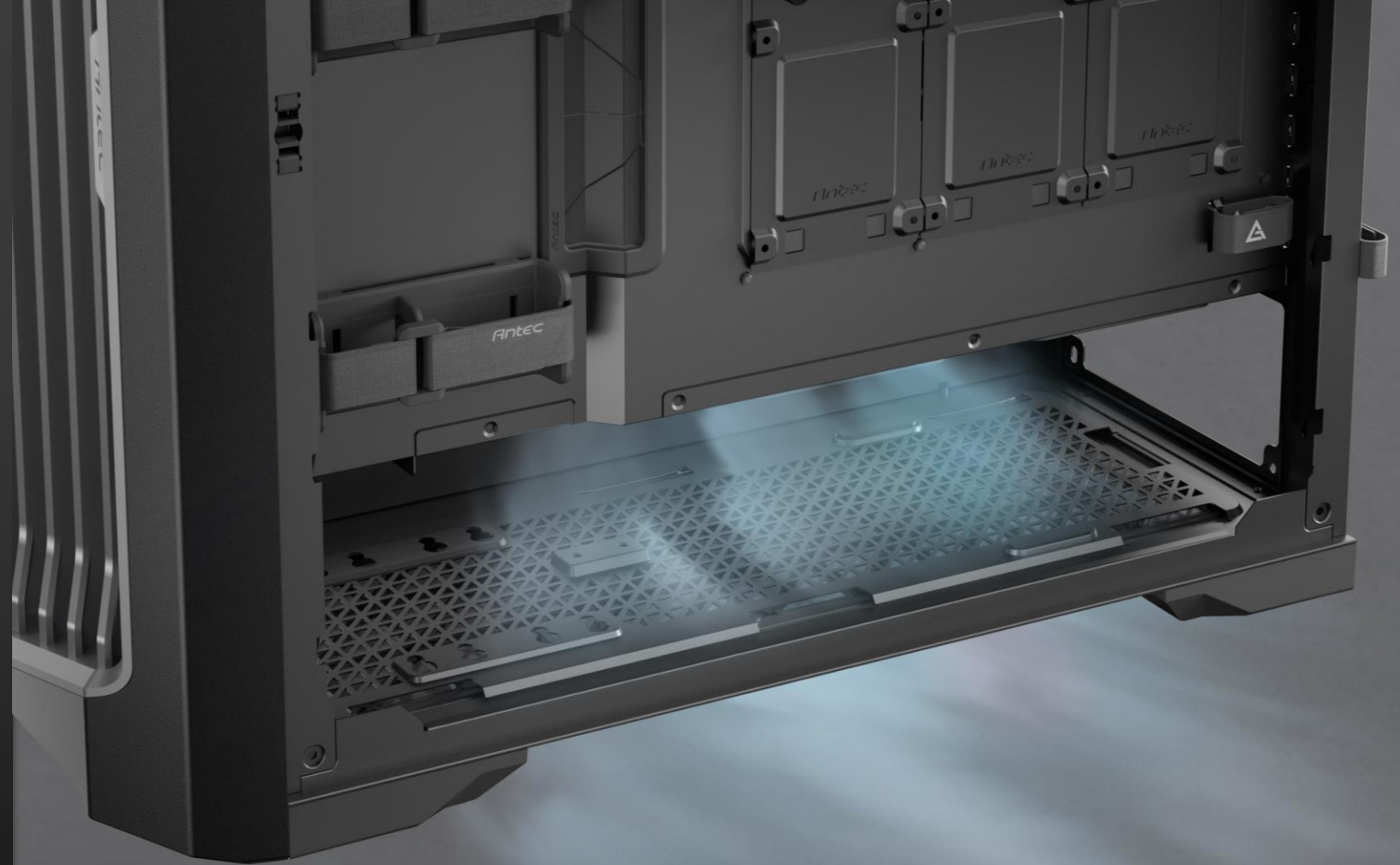
- Configuration: 2 HDDs & 3 SSDs
- Drive Cage in the PSU shroud supports both HDD & SSD.



# Performance 1 Structure

## Massive Air Intake at the Bottom

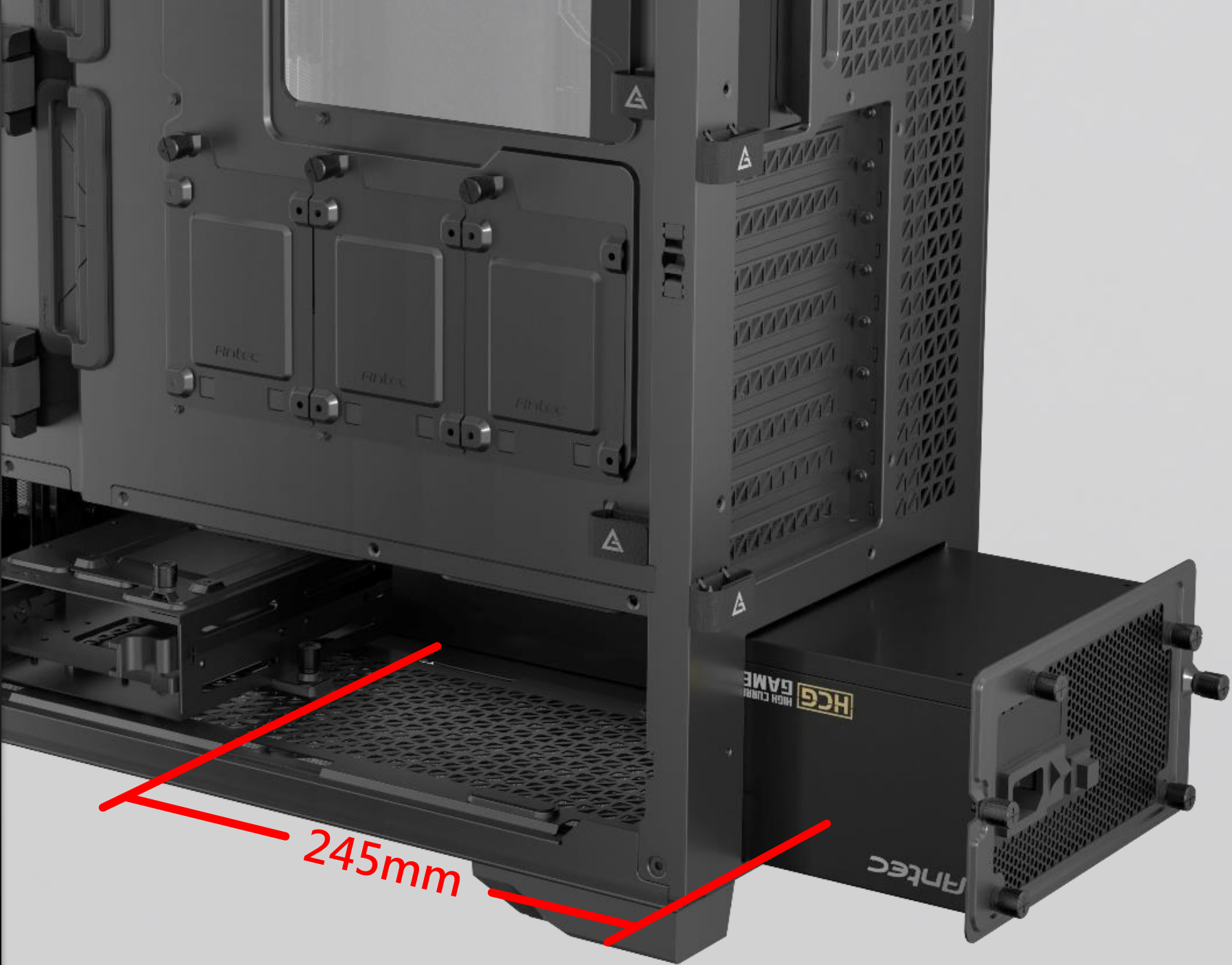
- Massive air intake at the bottom pulls in more air.
- Massive air intake at the bottom helps the fans at the top of the PSU shroud to pull in more air for GPU cooling.



# Performance 1 Structure

## Back-Mounted PSU installation

- Unlike the regular PSU installation, the back-mounted PSU installation can avoid the interference of other cables and make cable routing more convenient.



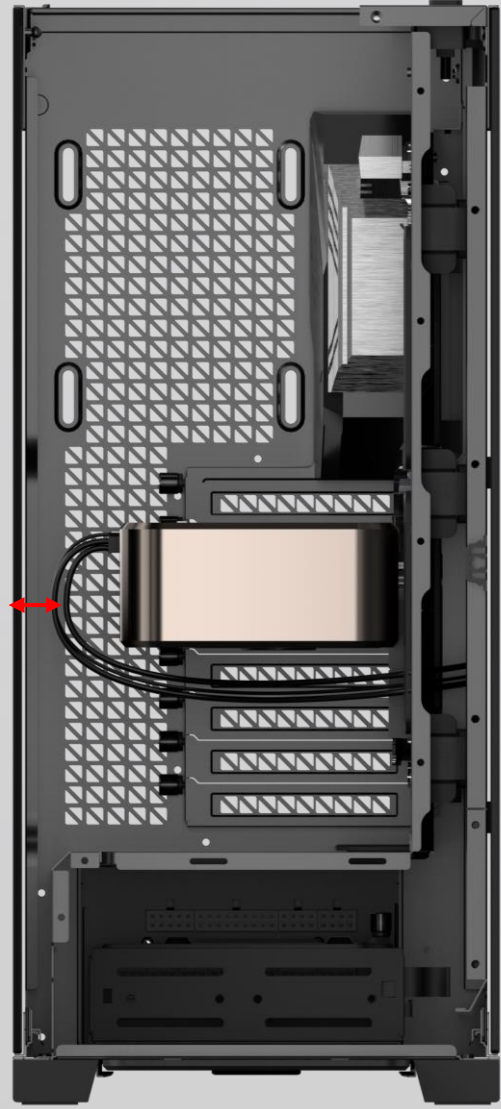
# Performance 1 Structure

## NVIDIA Latest GPU Support

- The NVIDIA RTX 4090 comes with the massive cooling module and the 12VHPWR cable. Many users concern that there is too little space in the standard PC cases to install the RTX 4090 GPU. Performance 1 has been tested and verified for a long time and will not cause the issue.



Length: 304mm  
Width: 137mm  
Slots : 3-Slot (61mm)



Performance 1 Front

There is still some space when installing NVIDIA 4090 high-end GPU in the Performance 1 PC case.

- GIGABYTE 4090 MASTER (Width 162.8mm)
- ASUS 4090 STRIX (Width 149.3mm)

Both GPUs are tested.



Performance 1 Overlook

# Performance 1 Structure

## Fully Removable PCI-e Slot Cover

- 8 individual PCI-e slot covers
- The fully open design supports most of the vertical GPU brackets.





# Performance 1 Structure

## Supports vertical GPU installation

- Supports vertical GPU bracket to enhance the flexibility and showcase of the GPU.
- Vertical GPU Bracket (Optional).



# Performance 1 Structure

## Rubber Grommets

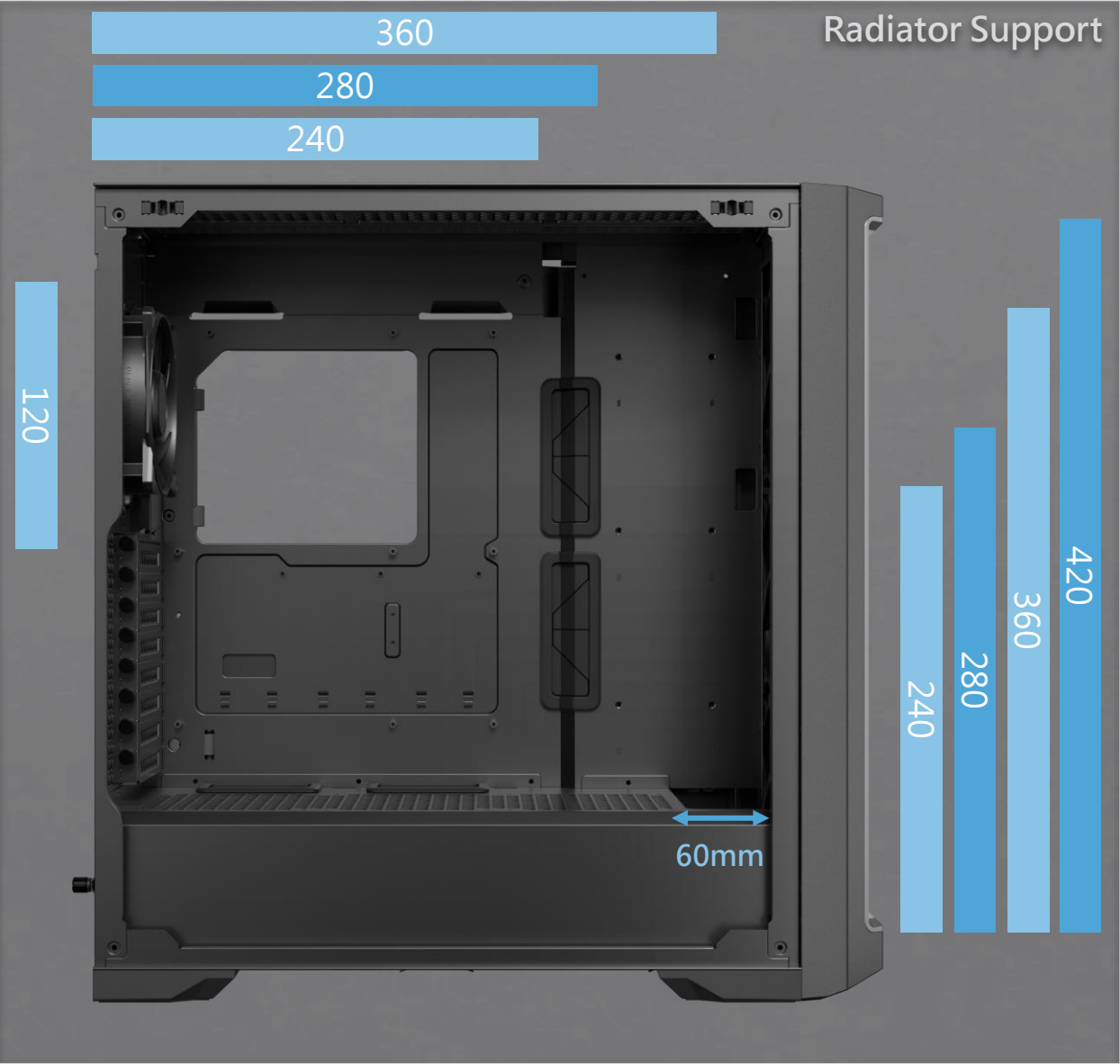
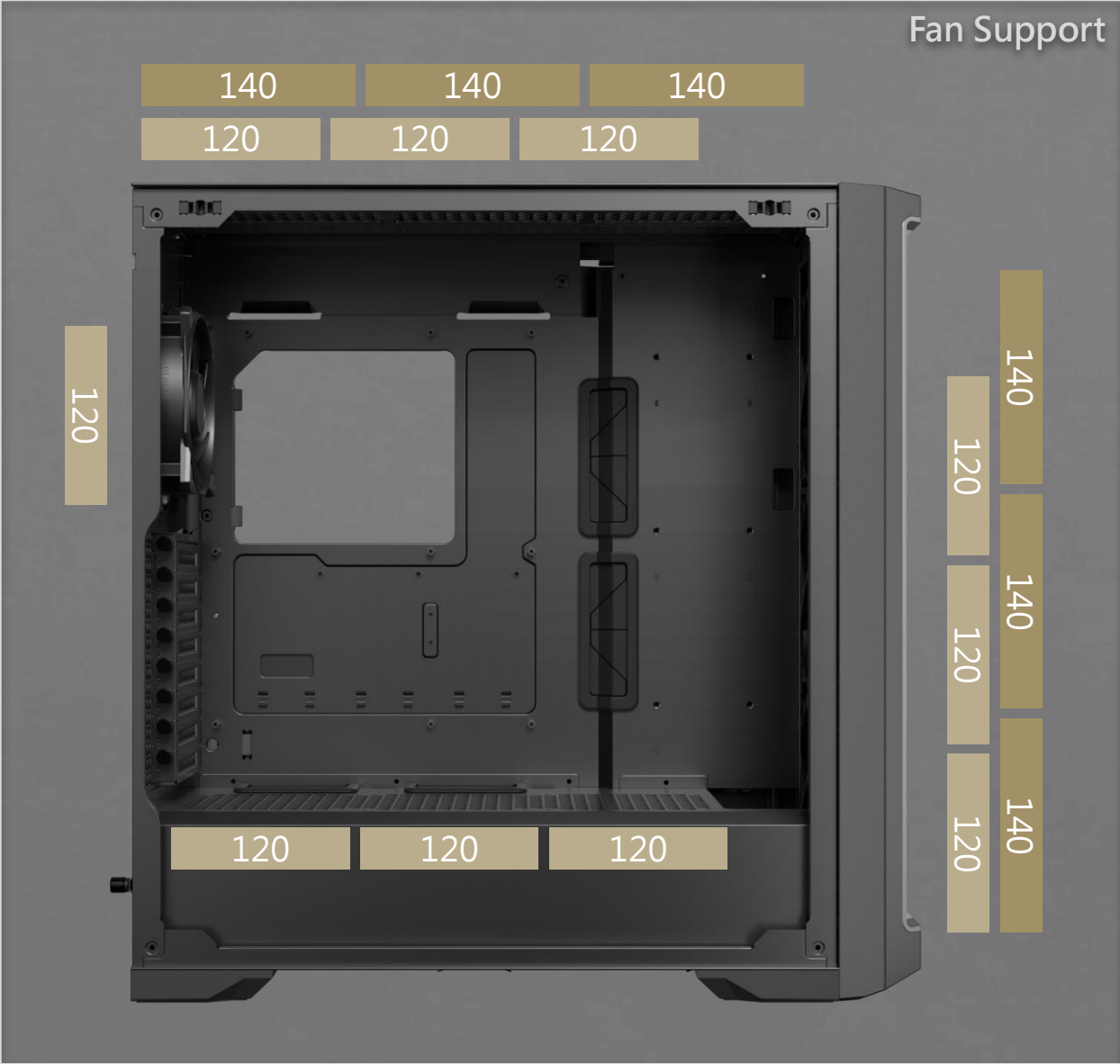
- The included 4 rubber grommets can beautify the cable routing and prevent both the cables and the case from being scratched.



# Performance 1 Specs

## Cooling Support

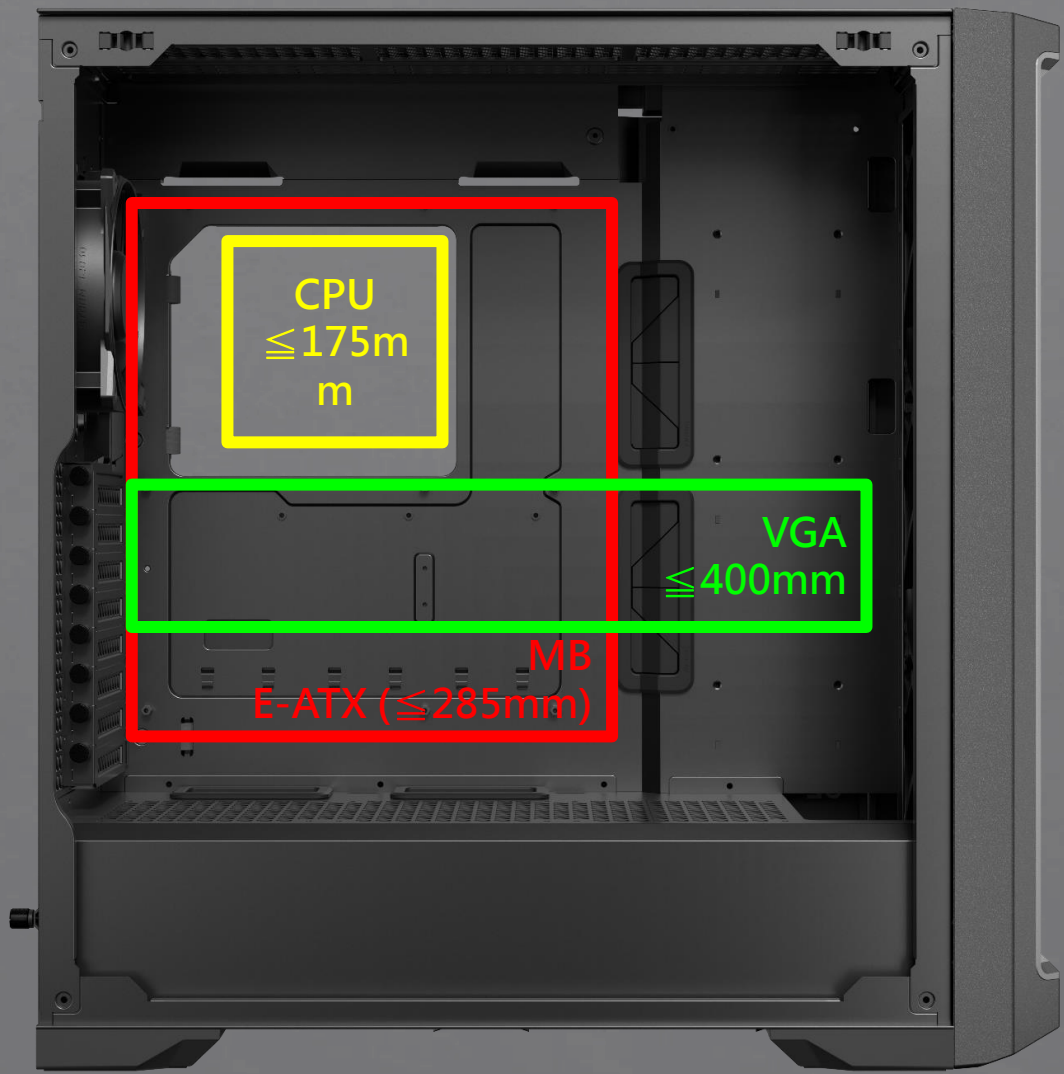
- Top Radiator Length  $\leq 415\text{mm}$
- 60mm clearance at the front interior to support a thicker radiator. Fans and radiator can be installed in the interior.



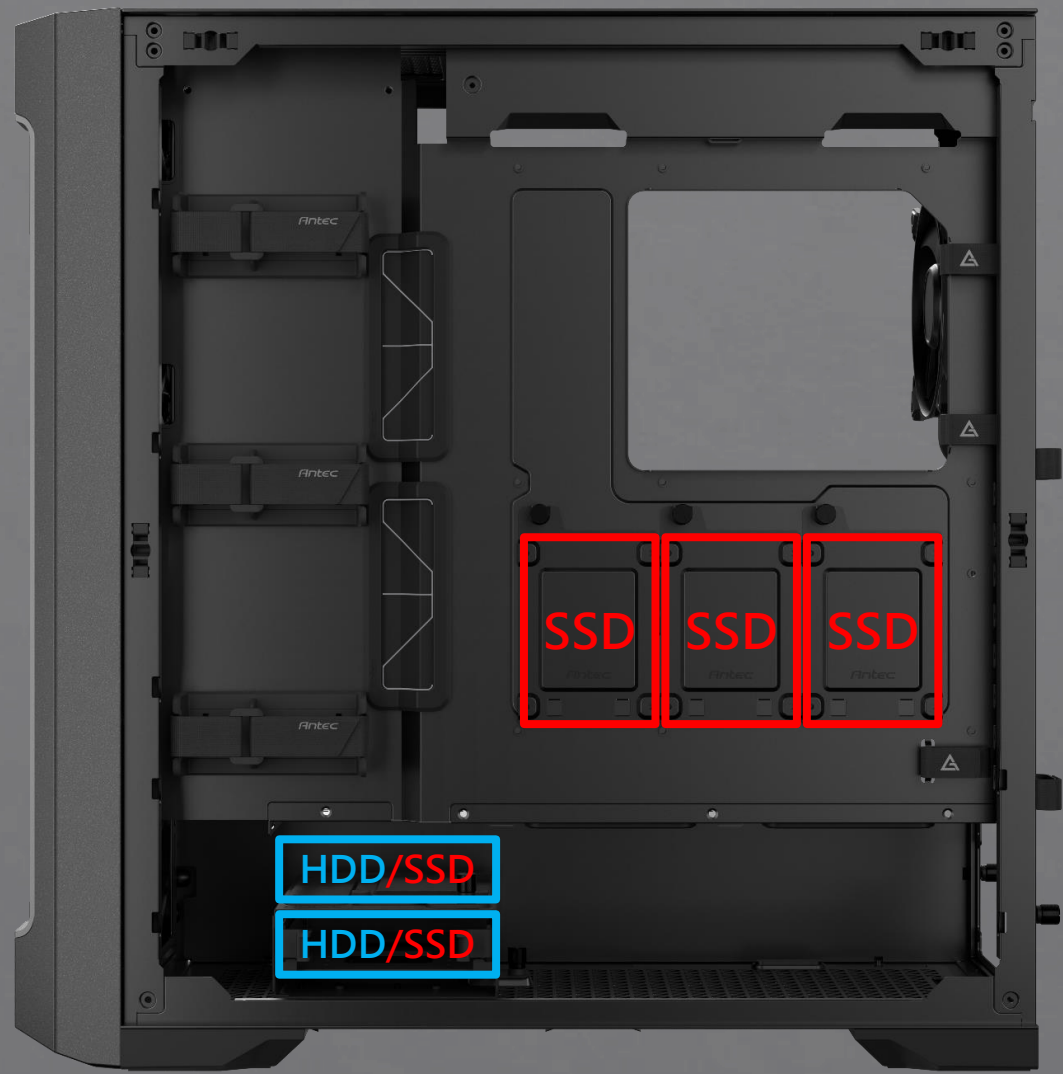
# Performance 1 Specs

## Hardware Support

Main Hardware Support



Storage Support



# Comparisons

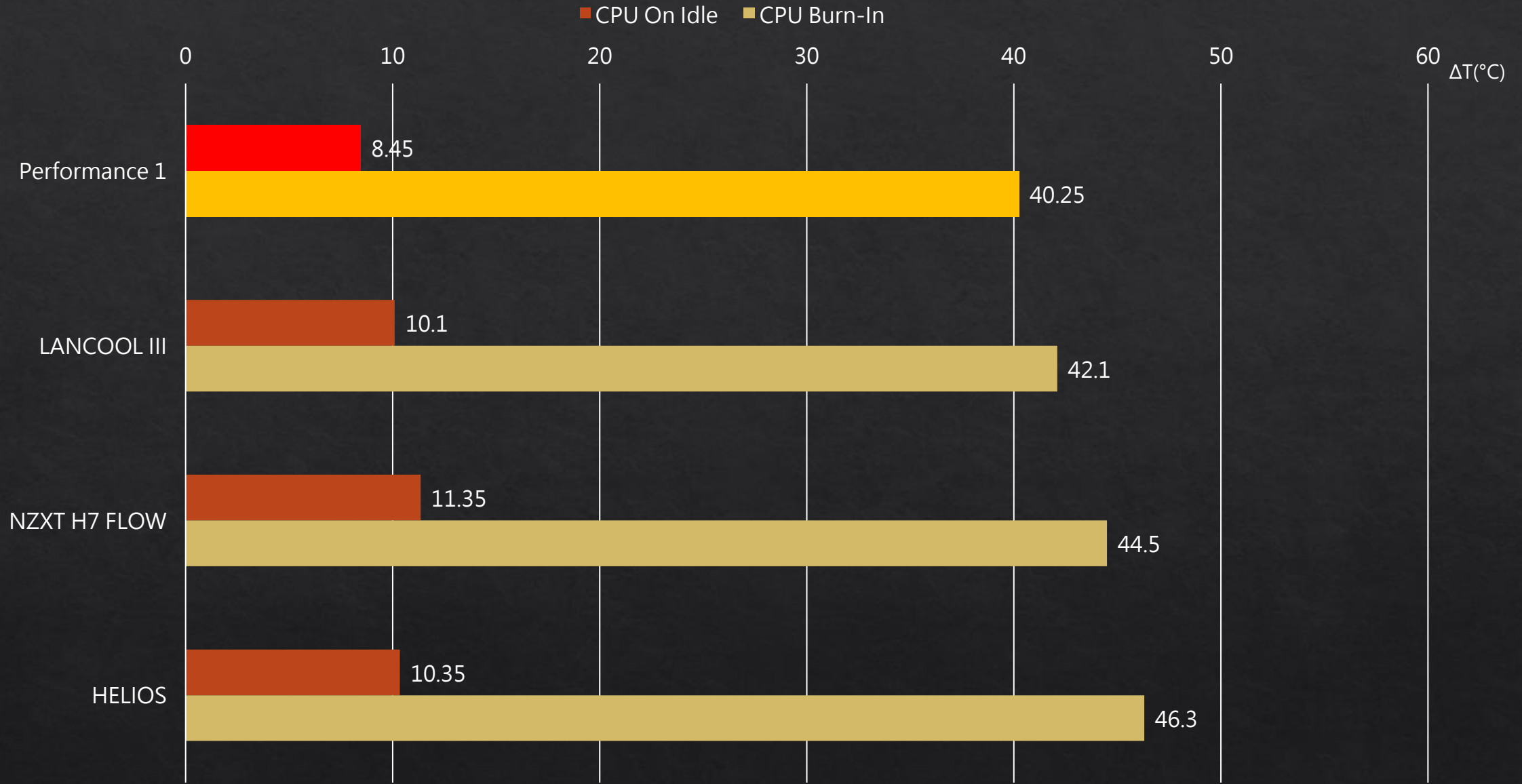
# Spec Comparison



Antec

	Antec Performance 1	NZXT H7 Flow	Lian Li Lancool III	ASUS ROG Strix Helios
<b>Dimensions ( D x W x H )</b>	522 x 230 x 522	480 x 230 x 505	526 x 238 x 523	565 x 250 x 591
<b>Motherboard</b>	<b>E-ATX(Up to 285mm)</b>	E-ATX(Up to 272mm)	E-ATX(Up to 280mm)	E-ATX(Up to 277mm)
<b>Max. GPU Length</b>	400 mm	400 mm	435 mm	<b>450 mm</b>
<b>Included Fans / PSU Shroud / Max. Fans</b>	4 / <b>3 / 10</b>	2 / 0 / 7	4 / <b>3 / 10</b>	4 / 0 / 7
<b>Top / Front Radiator</b>	360 / 420	360 / 360	<b>420 / 420</b>	360 / 420
<b>Storage (3.5 / 2.5 /versatile)</b>	2 / 3 / 2	2 / 4 / 2	0 / <b>8 / 4</b>	0 / 4 / 2
<b>Type – C Included</b>	✓	✓	✓	✓
<b>Temperature Display</b>	✓	x	x	x
<b>MSRP</b>	\$ 169 ~ \$ 189	\$129.99	\$159.99	\$259.99

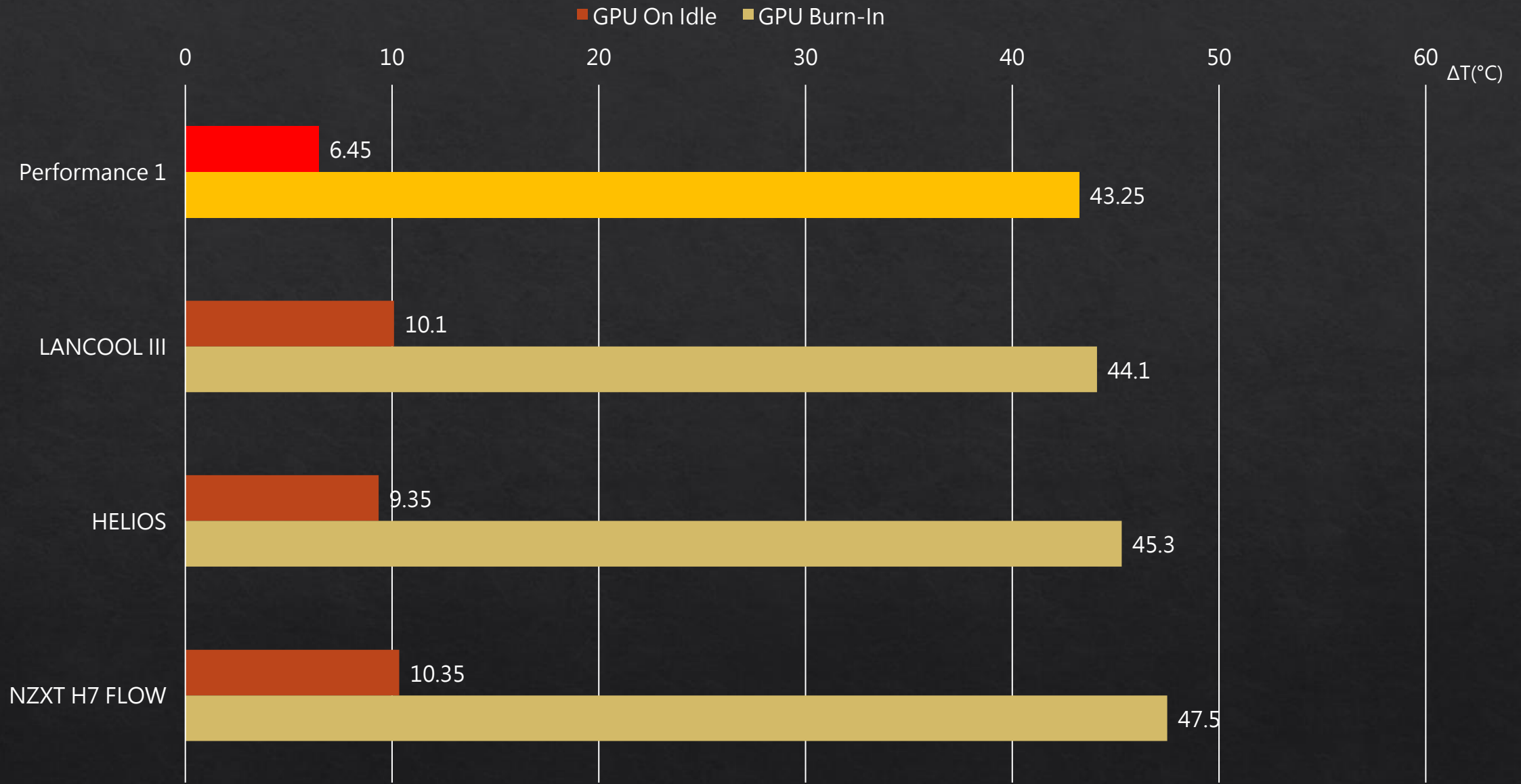
# AMD-3600X / NH-U12A / MSI 3070 GAMING X TRIO



CPU Temperature

Air Cooler

# AMD-3600X / NH-U12A / MSI 3070 GAMING X TRIO

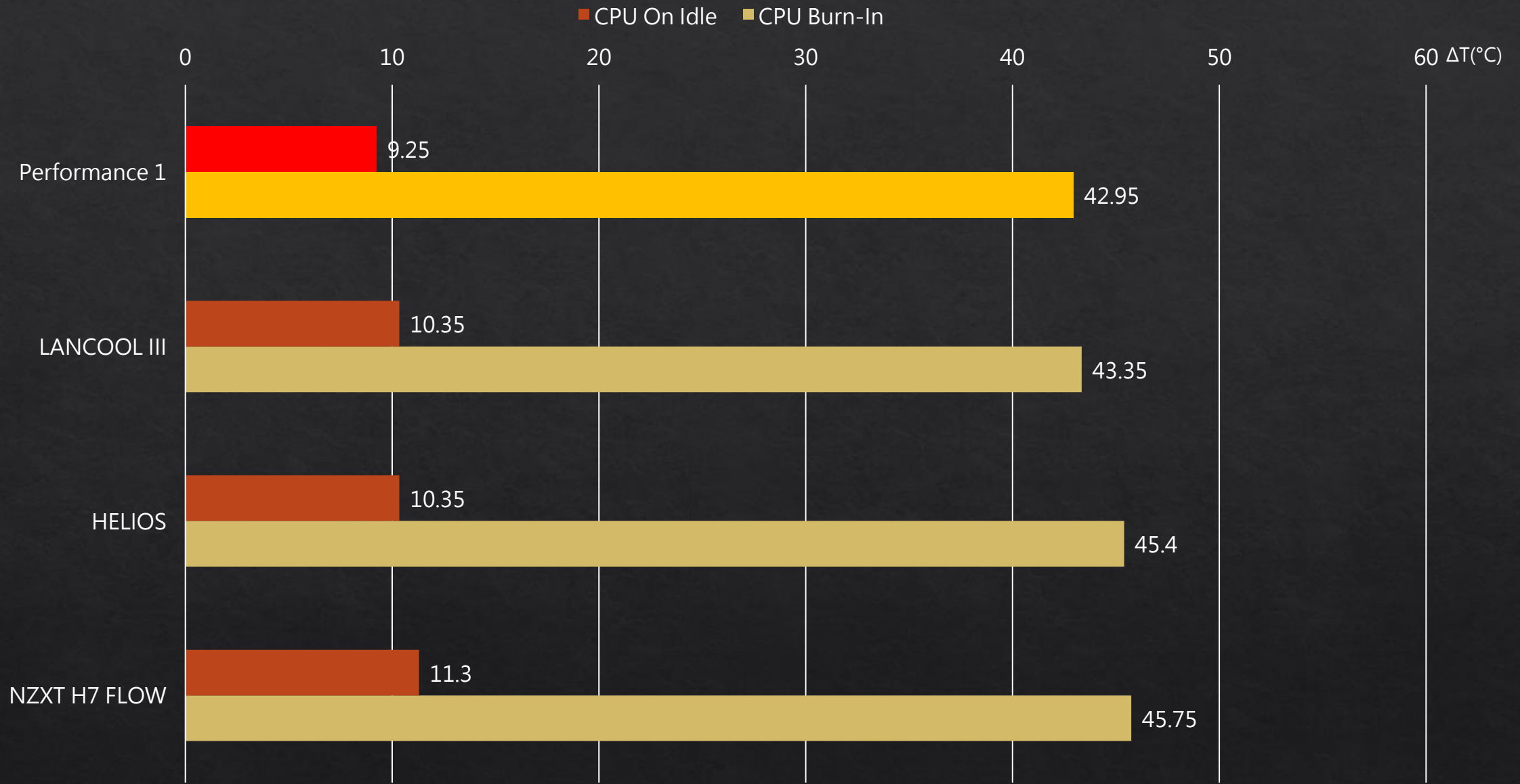


GPU Temperature

Air Cooler



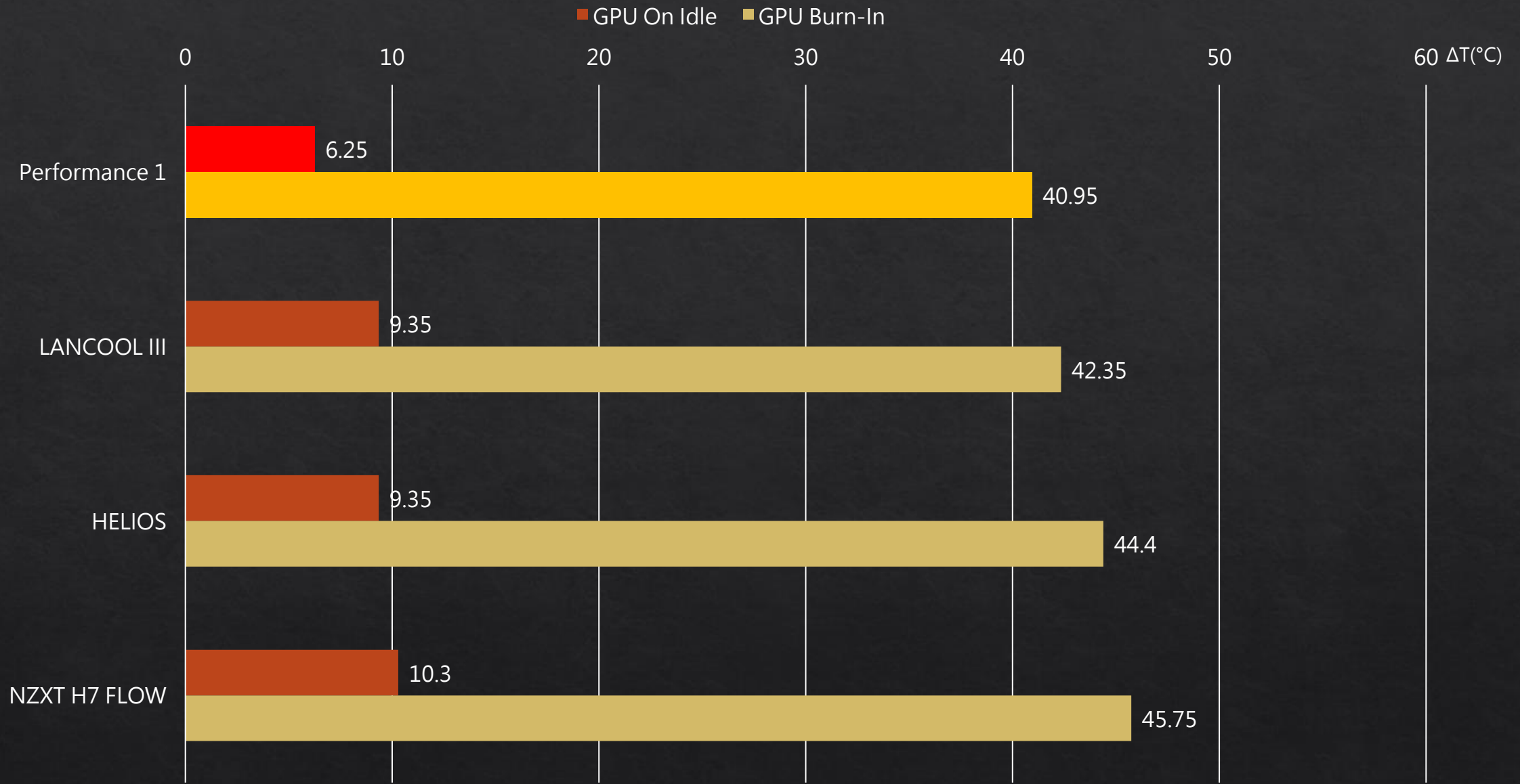
# AMD-3600X / NZXT X73 / MSI 3070 GAMING X TRIO



CPU Temperature

Water Cooler

# AMD-3600X / NZXT X73 / MSI 3070 GAMING X TRIO



GPU Temperature

Water Cooler