

WL15-625WH1

NEOMOUNTS WL15-625WH1 TABLET WALL MOUNT 7.9-11" - LOCKABLE - UNIVERSAL

SPECIFICATIONS

GENERAL

Min. screen size*	7.9
Max. screen size*	11
Min. weight	0
Max. weight	1
Screens	1
VESA minimum	100x100 mm
VESA maximum	100x100 mm
Distance to wall	2,5 cm

FUNCTIE

Type	Rotate
Lockable	Lockable - Security screw included
Rotate (degrees)	360°
Height	24,6 cm
Width	18,1 cm
Depth	3,7 cm
Adjustment type	None

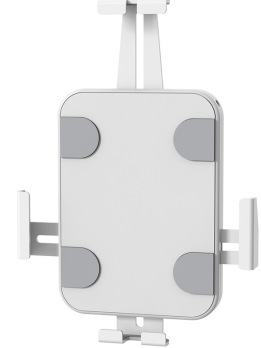
INFORMATION

Color	White
Main material	Steel
Warranty	5 year

*Please note: The inch sizes stated are just an indication, combined with the weight and VESA sizes. The maximum weight and VESA size are absolute restrictions for the products and should not be exceeded.



Neomounts



Neomounts

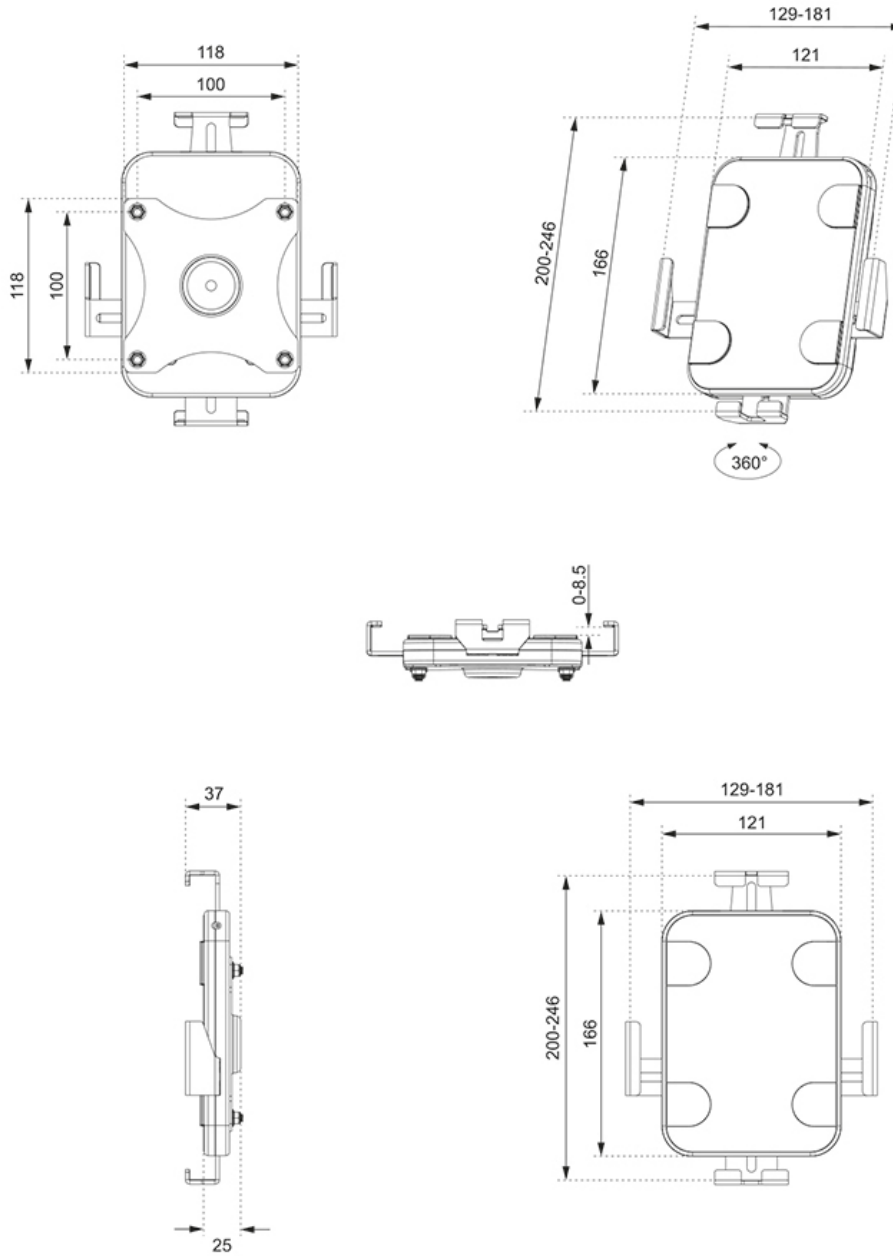
Neomounts WL15-625WH1 Tablet wall mount - 7.9-11" - 360° rotatable - lockable (incl. security screw, excl. lock) - VESA 100x100 - universal - white

The Neomounts WL15-625WH1 is a wall mount tablet holder that can rotate 360° to easily switch between portrait and landscape orientation.

The tablet holder features an anti-theft lock for extra security. Anti-skid pads protect the tablet from any scratches, while the height and width adjustable clamps ensure safe and solid placement of the device. The upper part has a cut-out for the tablet's camera. Installation is as easy as it can get, with only one screw needed. The WL15-625WH1 is suitable for tablets with a thickness of 0-8,5 mm.

WL15-625WH1

NEOMOUNTS WL15-625WH1 TABLET WALL MOUNT 7.9-11" - LOCKABLE - UNIVERSAL



Neomounts

Measuring unit: mm