

A range of bags developed by MOBILIS for everyday bicycle users.

Large volumes, safety & visibility features and water resistance: these bags are designed to accompany you on all your trips. Universal and adaptable, they can be quickly and easily attached to all bikes.



### BIKE BACKPACK - PANNIER 25L

CAPACITY 25L

Ref. 070001

INSTALLATION INSTRUCTIONS  
LAST PAGE



**MOUNTING SYSTEM  
ON LUGGAGE RACK**

**MATERIAL WATERPROOF  
TARPAULIN**



**ANTI-TILT  
STRAP**

**TAPED  
SEAMS**

**LARGE  
COMPARTMENT-25L**

**REFLECTIVE  
ELEMENT**



### PLUS-PRODUCTS

Reinforced PC compartment

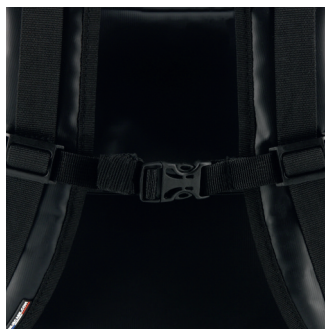


Up to 15.6"

Shoulder strap pocket



Chest strap



Roll-top closure + velcro



Side pocket



Removable shoulder strap



### SPECIFICATIONS

Ref	Product designation	EAN code	
070001	Bike Backpack/ Pannier 25L 14-15.6" - Black	3700992527970	
Weight	Interior dimensions	Exterior dimensions	PCB quantity
1348 g with pack 1350 g	450 x 340 x 180 mm	450 x 350 x 200 mm	8





1

## RANGÉZ LES BRETELLES DU SAC PUT AWAY THE BAG'S STRAPS



Déclipser  
Unclip



Ranger dans la poche dédiée  
Store in the dedicated pocket

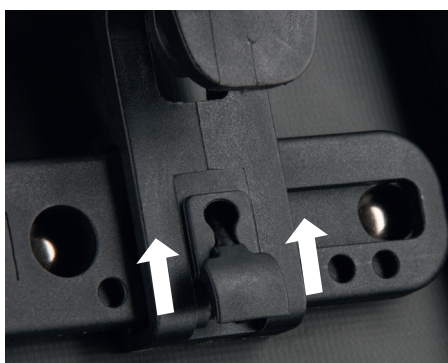
2

## OUVREZ LA POCHE DU SYSTÈME DE FIXATION OPEN THE FASTENING SYSTEM POCKET

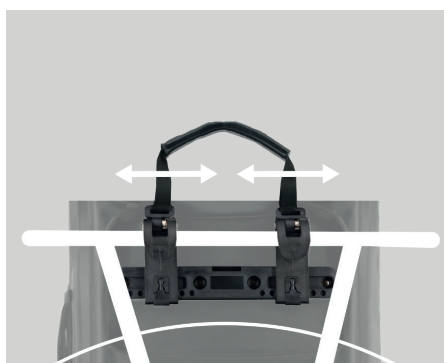


3

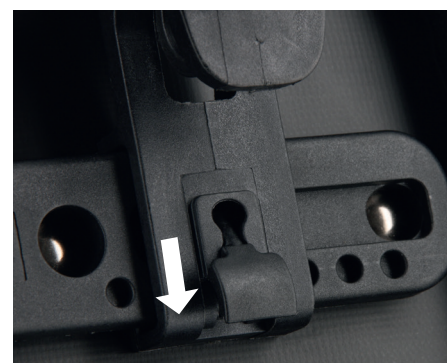
## RÉGLEZ L'ESPACEMENT ENTRE LES 2 CROCHETS DE FIXATION SELON VOTRE PORTE-BAGAGES ADJUST THE SPACING BETWEEN THE 2 FIXING HOOKS ACCORDING TO YOUR LUGGAGE RACK



Soulever le loquet  
Lift the latch



Ajuster les crochets en largeur  
Adjust the hooks in width



Fermer le loquet  
Close the latch

4

**CHOISISSEZ LE JOINT ADAPTÉ AU DIAMÈTRE DE VOTRE PORTE-BAGAGES**  
**CHOOSE THE RIGHT SEAL FOR THE DIAMETER OF YOUR LUGGAGE RACK**



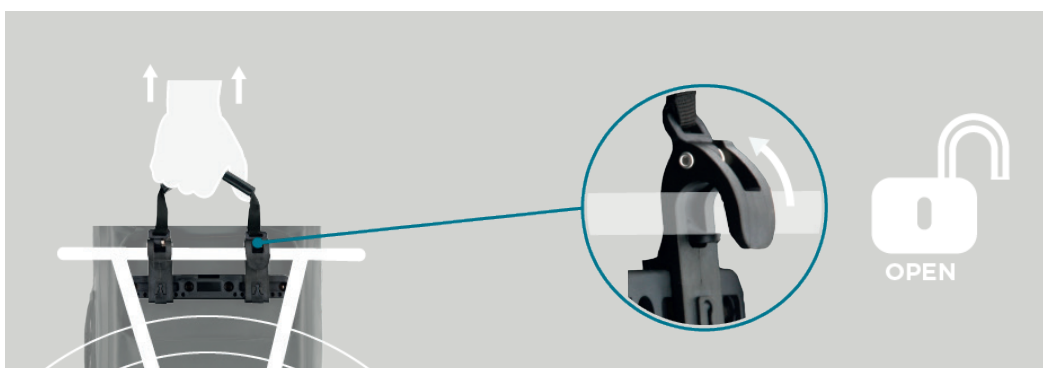
Choisir le joint adapté  
*Choosing the right seal*

Placer le joint dans le crochet  
*Place the seal in the hook*

**INSTALLATION SUR LE PORTE-BAGAGES / INSTALLATION ON THE LUGGAGE RACK**

1

**TIREZ SUR LA POIGNÉE SITUÉE AU-DESSUS DES CROCHETS POUR LES OUVRIR**  
**PULL THE HANDLE ABOVE THE HOOKS TO OPEN THEM**



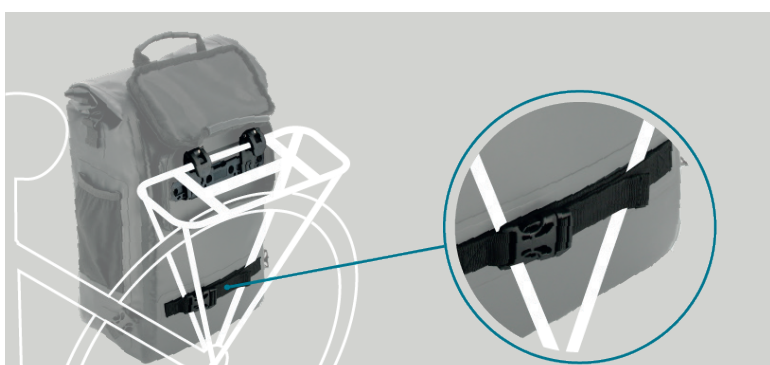
2

**RELÂCHEZ LA UNE FOIS LE SAC POSITIONNÉ SUR VOTRE PORTE-BAGAGES**  
**RELEASE IT ONCE THE BAG IS POSITIONNÉ SUR VOTRE PORTE-BAGAGES**



3

**VOUS POUVEZ ACCROCHER UNE SANGLE AU BAS DU PORTE-BAGAGES**  
**YOU CAN ATTACH A CLIP LOOP TO THE BOTTOM OF THE LUGGAGE RACK**



Sécurisation et anti-basculement  
*Safety and anti-tilt*