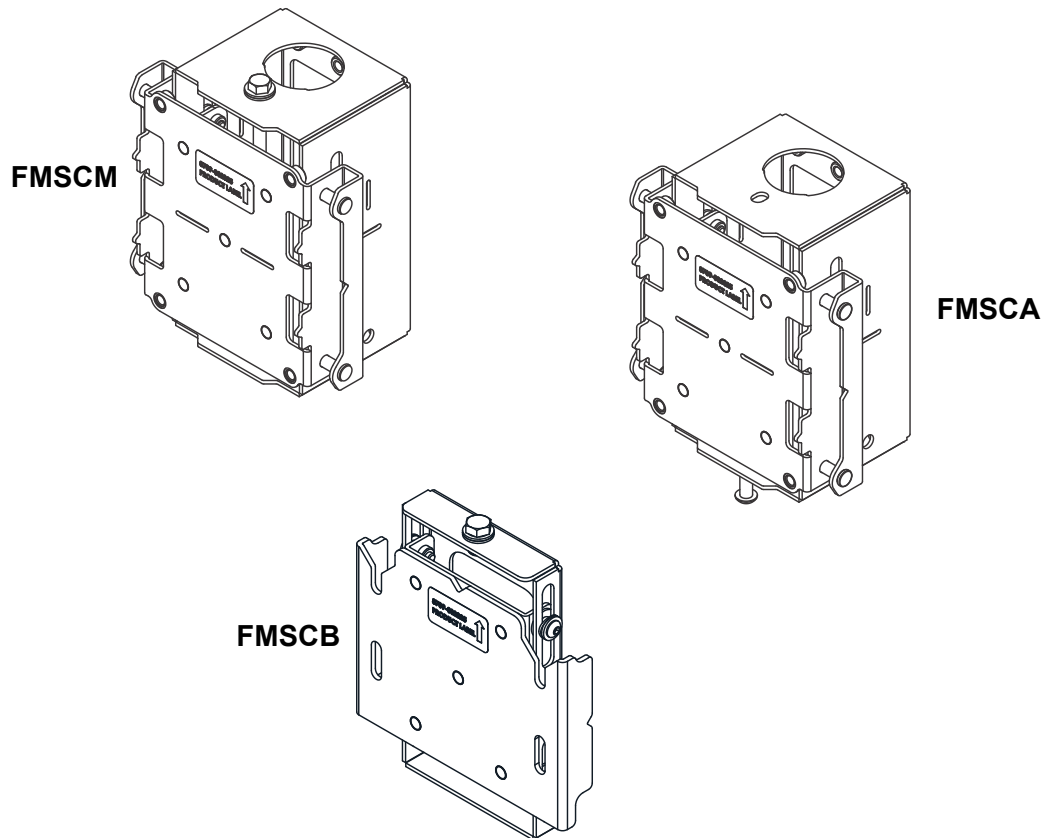

INSTALLATION INSTRUCTIONS



Fusion Modular Ceiling Heads

DISCLAIMER

Legrand | AV and its affiliated corporations and subsidiaries (collectively "Legrand | AV"), intend to make this manual accurate and complete. However, Legrand | AV makes no claim that the information contained herein covers all details, conditions or variations, nor does it provide for every possible contingency in connection with the installation or use of this product. The information contained in this document is subject to change without notice or obligation of any kind. Legrand | AV makes no representation of warranty, expressed or implied, regarding the information contained herein. Legrand | AV assumes no responsibility for accuracy, completeness or sufficiency of the information contained in this document.

Chief® is a registered trademark of Legrand AV Inc.

DEFINITIONS

MOUNTING SYSTEM: A MOUNTING SYSTEM is the primary Chief product to which an accessory and/or component is attached.

ACCESSORY: AN ACCESSORY is the secondary Chief product which is attached to a primary Chief product, and may have a component attached or setting on it.

COMPONENT: A COMPONENT is an audiovisual item designed to be attached or resting on an accessory or mounting system such as a video camera, CPU, screen, display, projector, etc.

WARNING: A WARNING alerts you to the possibility of serious injury or death if you do not follow the instructions.

CAUTION: A CAUTION alerts you to the possibility of damage or destruction of equipment if you do not follow the corresponding instructions.

IMPORTANT SAFETY INSTRUCTIONS

WARNING: Failure to read, thoroughly understand, and follow all instructions can result in serious personal injury, damage to equipment, or voiding of factory warranty! It is the installer's responsibility to make sure all mounting systems / accessories are properly assembled and installed using the instructions provided.

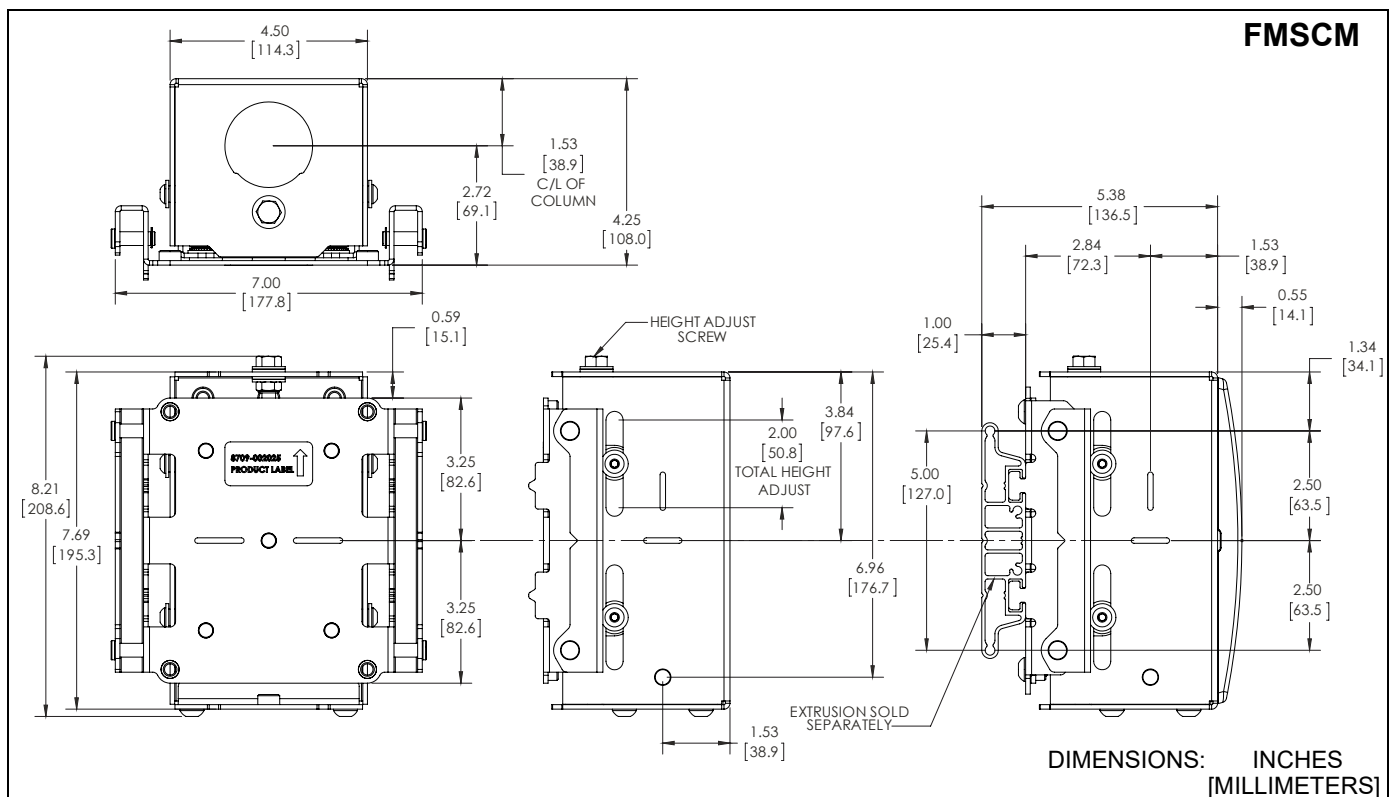
WARNING: Exceeding the weight capacity can result in serious personal injury or damage to equipment! It is the installer's responsibility to make sure the combined weight of all components attached to mounting system does not exceed the weight capacity listed in Table 1.

Table 1: Weight Capacity

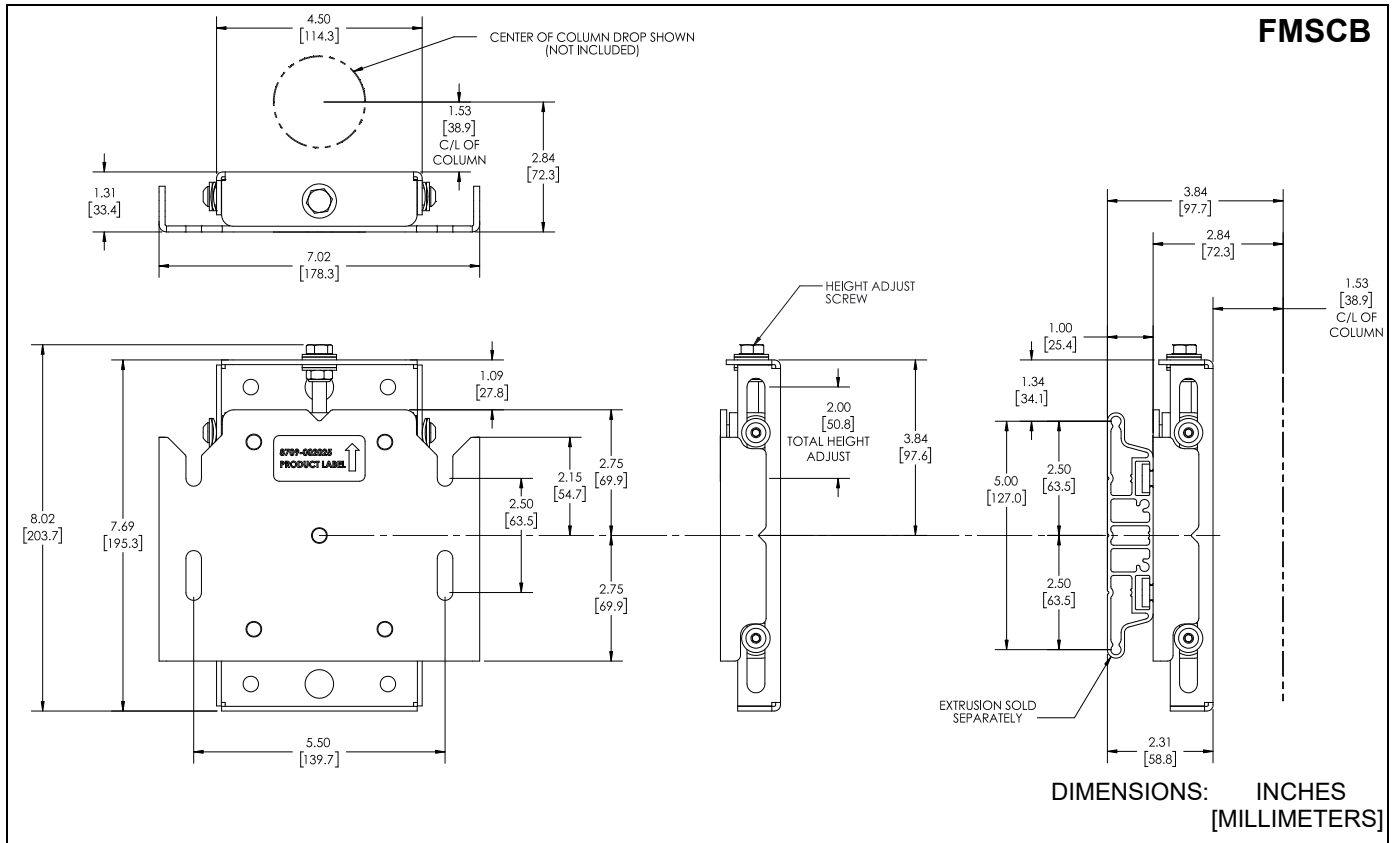
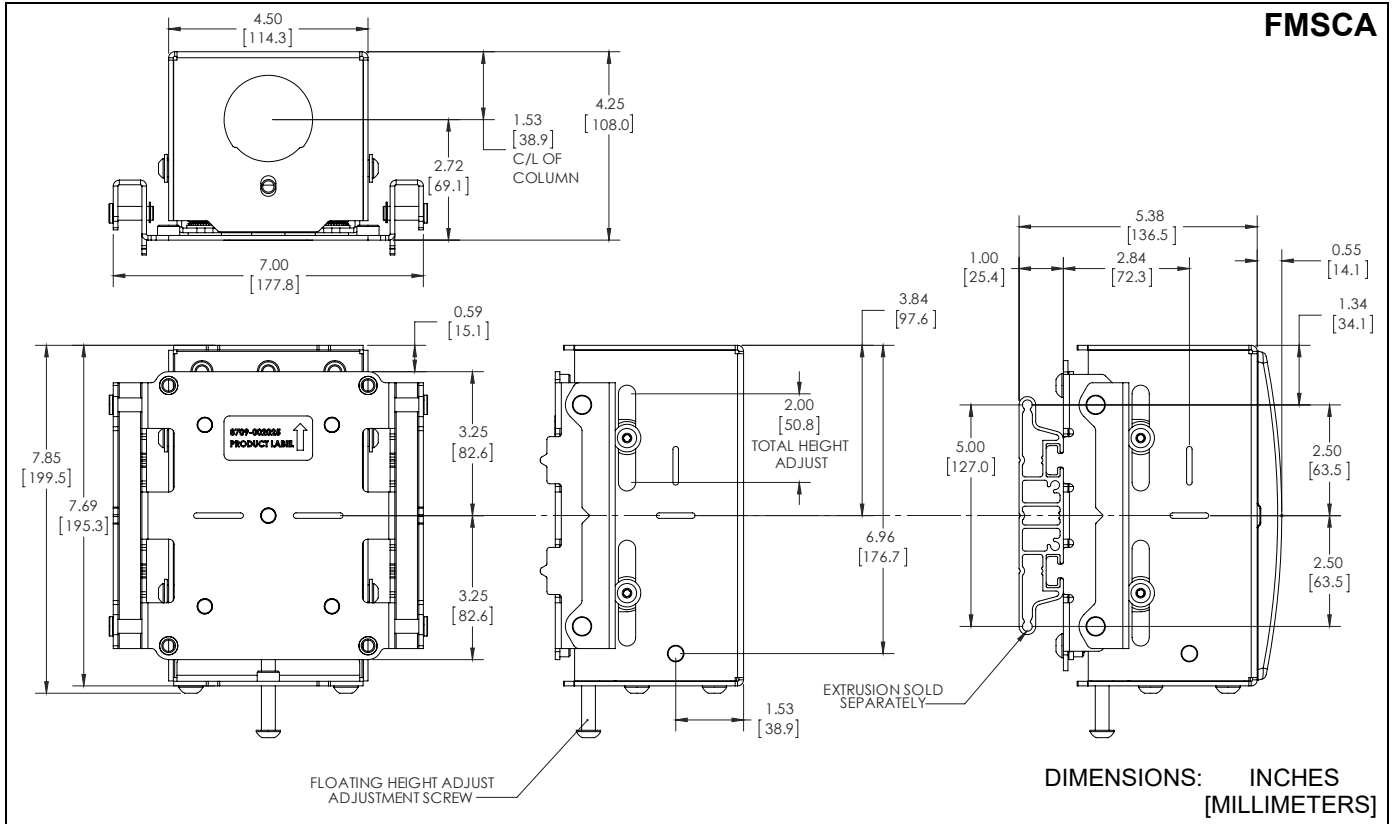
| | Maximum Weight Allowed |
|--------------|------------------------|
| FMSCM | 200 lbs (90.7 kg) |
| FMSCA | 200 lbs (90.7 kg) |
| FMSCB | 185 lbs (83.9 kg) |

--SAVE THESE INSTRUCTIONS--

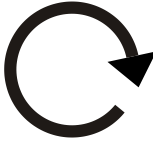

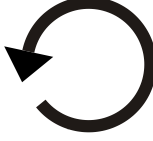


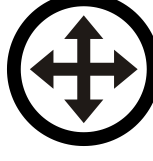






DIMENSIONS



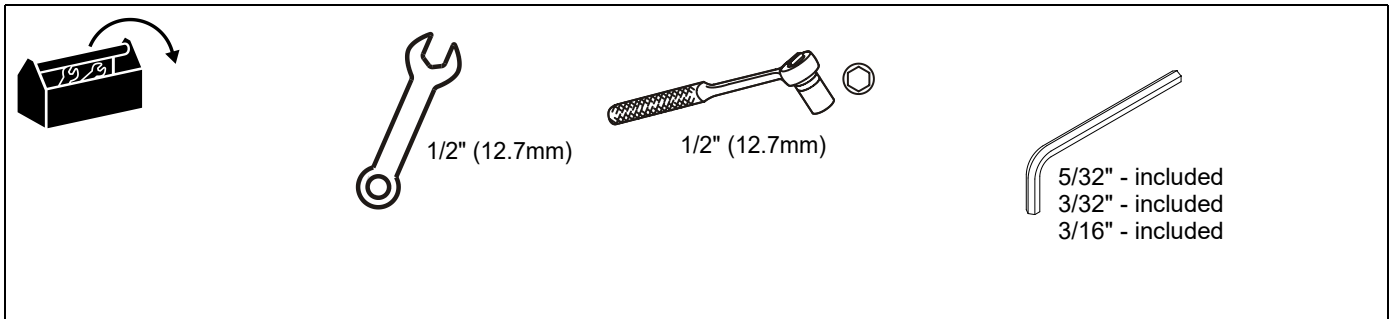
DIMENSIONS - cont'd



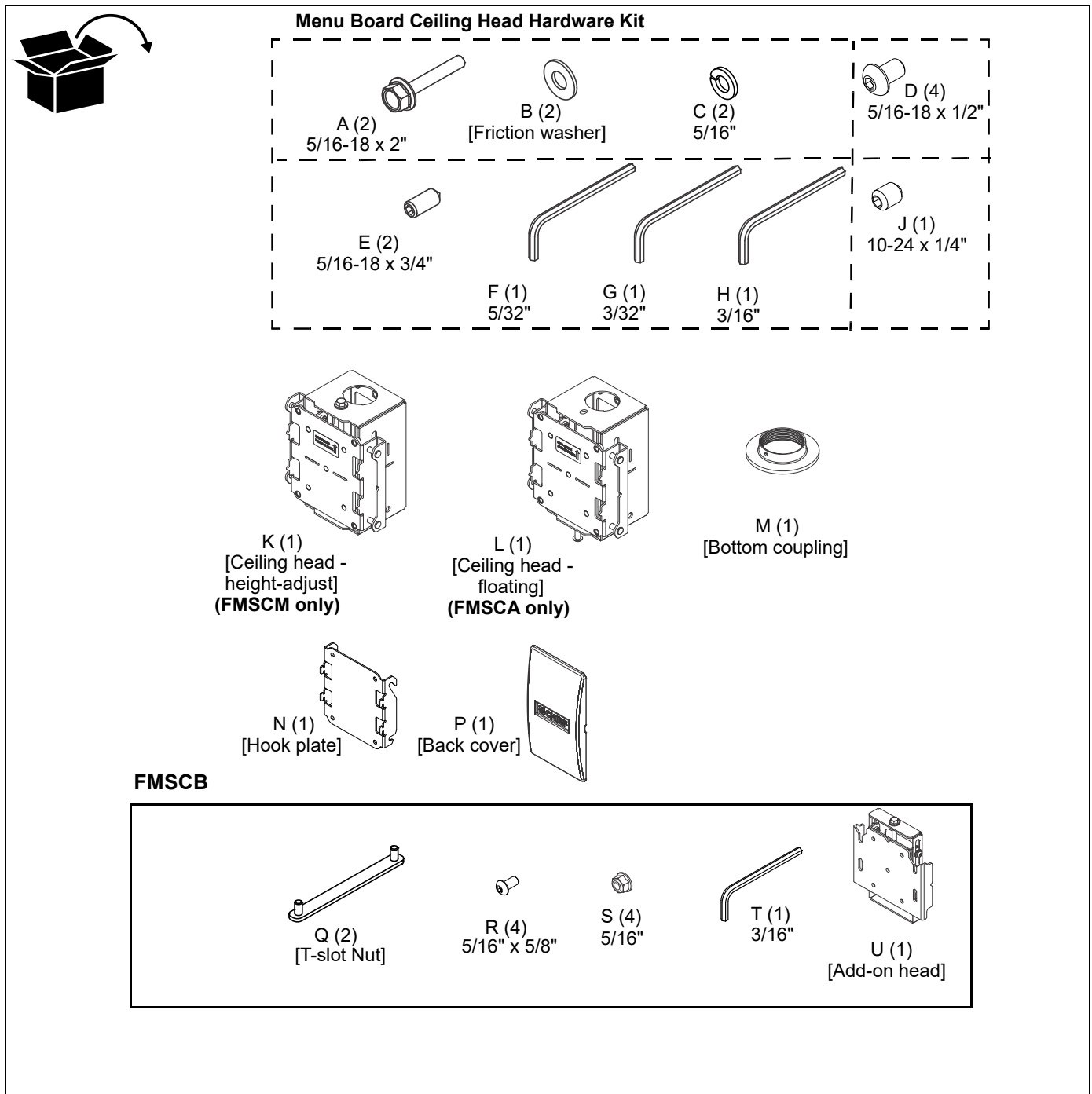
LEGEND

| | | | |
|---|--|--|---|
|  | <p>Tighten Fastener</p> <p>Apretar elemento de fijación</p> <p>Befestigungsteil festziehen</p> <p>Apertar fixador</p> <p>Serrare il fissaggio</p> <p>Bevestiging vastdraaien</p> <p>Serrez les fixations</p> |  | <p>Pencil Mark</p> <p>Marcar con lápiz</p> <p>Stiftmarkierung</p> <p>Marcar com lápis</p> <p>Segno a matita</p> <p>Potloodmerkteken</p> <p>Marquage au crayon</p> |
|  | <p>Loosen Fastener</p> <p>Aflojar elemento de fijación</p> <p>Befestigungsteil lösen</p> <p>Desapertar fixador</p> <p>Allentare il fissaggio</p> <p>Bevestiging losdraaien</p> <p>Desserrez les fixations</p> |  | <p>Drill Hole</p> <p>Perforar</p> <p>Bohrloch</p> <p>Fazer furo</p> <p>Praticare un foro</p> <p>Gat boren</p> <p>Percez un trou</p> |
|  | <p>Phillips Screwdriver</p> <p>Destornillador Phillips</p> <p>Kreuzschlitzschraubendreher</p> <p>Chave de fendas Phillips</p> <p>Cacciavite a stella</p> <p>Kruiskopschroevendraaier</p> <p>Tournevis à pointe cruciforme</p> |  | <p>Adjust</p> <p>Ajustar</p> <p>Einstellen</p> <p>Ajustar</p> <p>Regolare</p> <p>Afstellen</p> <p>Ajuster</p> |
|  | <p>Open-Ended Wrench</p> <p>Llave de boca</p> <p>Gabelschlüssel</p> <p>Chave de bocas</p> <p>Chiave a punte aperte</p> <p>Steeksleutel</p> <p>Clé à fourche</p> |  | <p>Remove</p> <p>Quitar</p> <p>Entfernen</p> <p>Remover</p> <p>Rimuovere</p> <p>Verwijderen</p> <p>Retirez</p> |
|  | <p>By Hand</p> <p>A mano</p> <p>Von Hand</p> <p>Com a mão</p> <p>A mano</p> <p>Met de hand</p> <p>À la main</p> |  | <p>Optional</p> <p>Opcional</p> <p>Optional</p> <p>Opcional</p> <p>Opzionale</p> <p>Optie</p> <p>En option</p> |
|  | <p>Hex-Head Wrench</p> <p>Llave de cabeza hexagonal</p> <p>Sechskantschlüssel</p> <p>Chave de cabeça sextavada</p> <p>Chiave esagonale</p> <p>Zeskantsleutel</p> <p>Clé à tête hexagonale</p> |  | <p>Security Wrench</p> <p>Llave de seguridad</p> <p>Sicherheitsschlüssel</p> <p>Chave de segurança</p> <p>Chiave di sicurezza</p> <p>Veiligheidssleutel</p> <p>Clé de sécurité</p> |

TOOLS REQUIRED FOR INSTALLATION



PARTS



INSTALLATION

NOTE: The following procedure assumes that Chief ceiling plates (not included) and extension columns (not included) have been properly installed following instructions provided with ceiling plates and extension columns.

- The ceiling plates and columns should be installed approximately spaced at center of outside screens.

IMPORTANT ! : The weight of the system should be evenly distributed across ceiling plates.

NOTE: Proceed to **Attaching Ceiling Head to NPT Column** section, **Attaching Ceiling Head to Pin Connection Column** section or **Attaching Add-On Heads** section as appropriate.

Attaching Ceiling Head to 1-1/2" NPT Column

- Slide ceiling head (K or L) up from below onto installed column (not included). (See Figure 1)
- Thread bottom coupling (M) onto installed column until tight, with a minimum of four threads engaged. (See Figure 1)
- Install and tighten one 10-24 x 1/4" set screw (J) into bottom coupling (M). (See Figure 1)

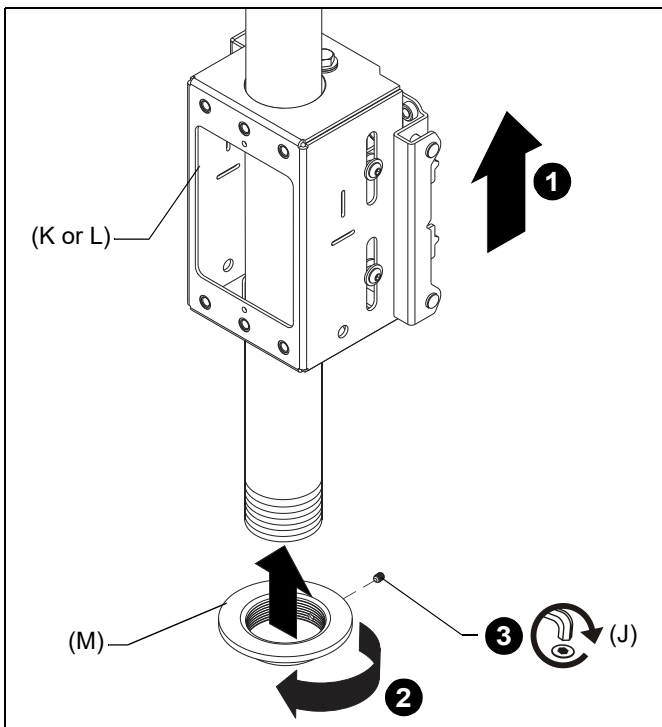


Figure 1

- Tighten two 5/16" x 3/4" set screws (E) against column. (See Figure 2)

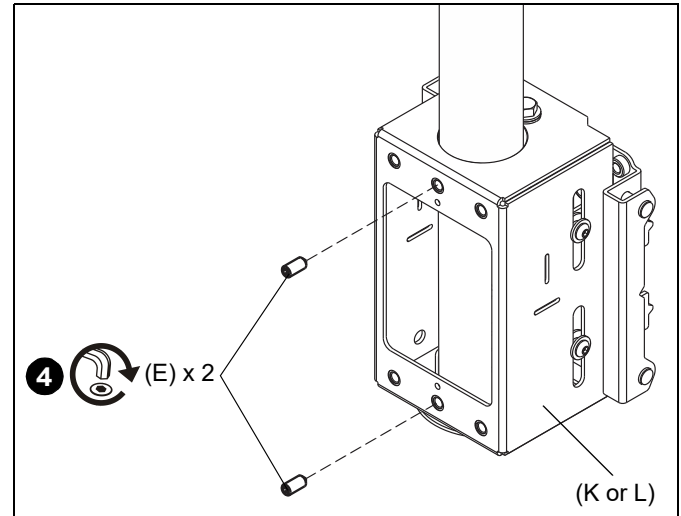


Figure 2

Attaching Ceiling Head to Pin Connection Column

- Slide ceiling head (K or L) up from below onto installed column (not included). (See Figure 3)
- Line up holes in sides of ceiling head (K or L) with holes in column.

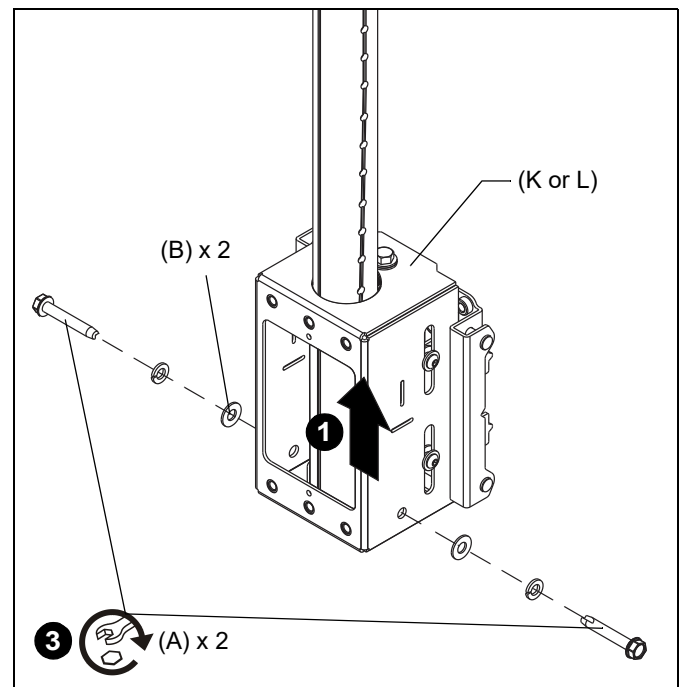


Figure 3

- Install two 5/16" x 2" self-tapping screws (A) through two 5/16" lock washers (C), two friction washers (B), sides of ceiling head (K or L), and into installed column. (See Figure 3)
- Install and tighten two 5/16" set screws (E) against column. (See Figure 4)

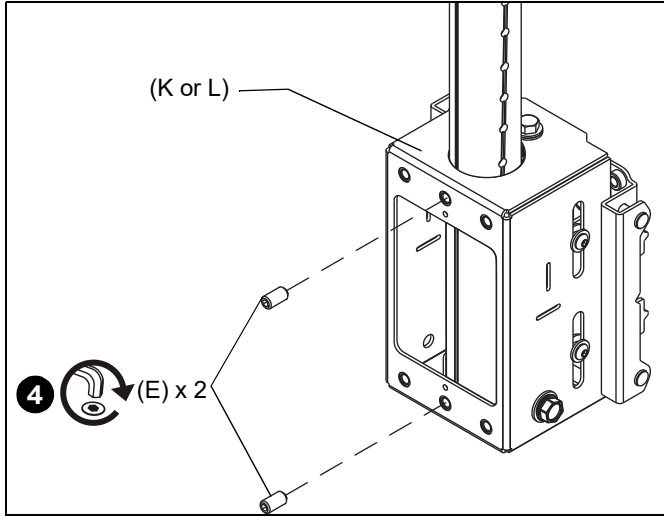


Figure 4

Attaching Mounting Rail to Ceiling Head

IMPORTANT ! : Use the FMSCM height-adjust ceiling head (K) on the outside of the mounting rails, or FMSCA floating ceiling head (L) at the center of the mounting rails.

NOTE: Attach one end cap to one end of mounting rail following instructions included with the FMSECAP.

1. Slide the hook plate (N) into mounting rail. (See Figure 5)

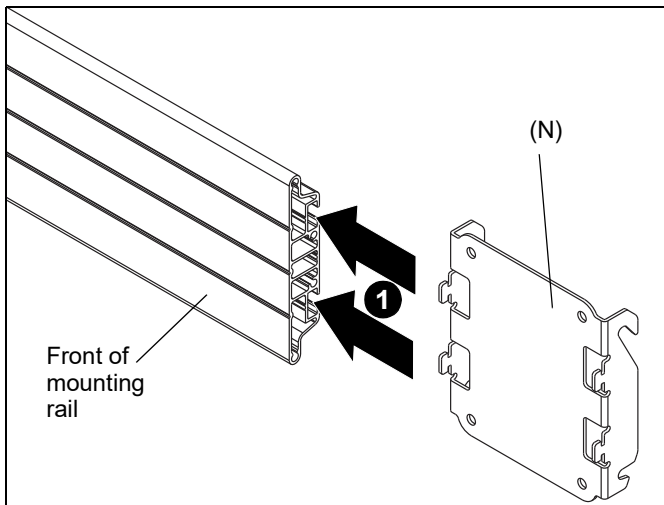


Figure 5

2. Lift the mounting rail with the hook plate up to the ceiling head (K or L). (See Figure 6)
3. Attach hook plate (N) with mounting rail to ceiling head (K or L) using four 5/16 x 1/2" button head cap screws (D). (See Figure 6)

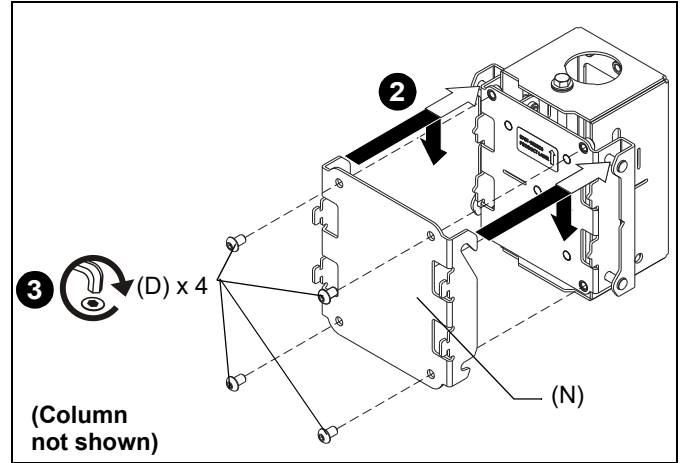


Figure 6

Adjust and Level Mounting Rail via Ceiling Head

1. Adjust the height of the ceiling head, as necessary, to level the mounting rail across the columns. (See Figure 7)
 - **Tighten** the ceiling head height-adjust screw on the FMSCM to **raise** the mounting rail.
 - **Loosen** the ceiling head height-adjust screw on the FMSCM to **lower** the mounting rail.
2. Tighten the adjustment screw at the bottom of the FMSCA ceiling head to hold the FMSCA (center) ceiling head at the same level as the FMSCM (outer) ceiling heads.

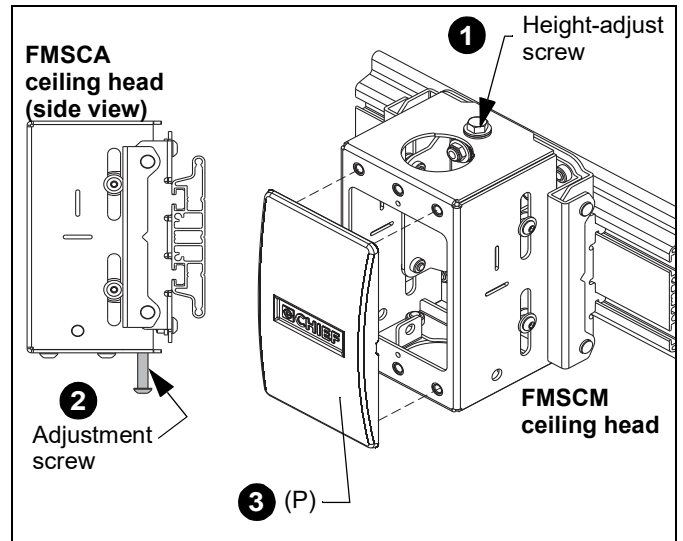


Figure 7

3. Add back cover (P) to ceiling head (K or L). (See Figure 7)
4. Attach remaining end cap to end of mounting rail following instructions included with the FMSECAP.

Attaching Add-On Heads (FMSCB)

1. Attach add-on head (U) to existing array head using four 5/16 x 5/8" button head cap screws (R). (See Figure 8)

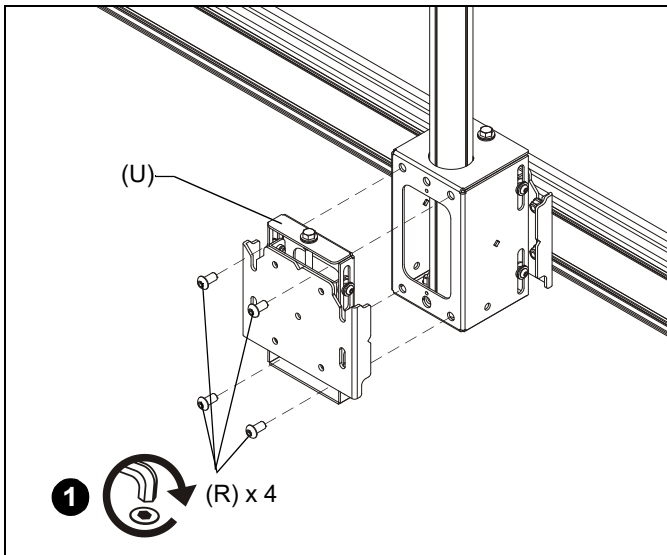


Figure 8

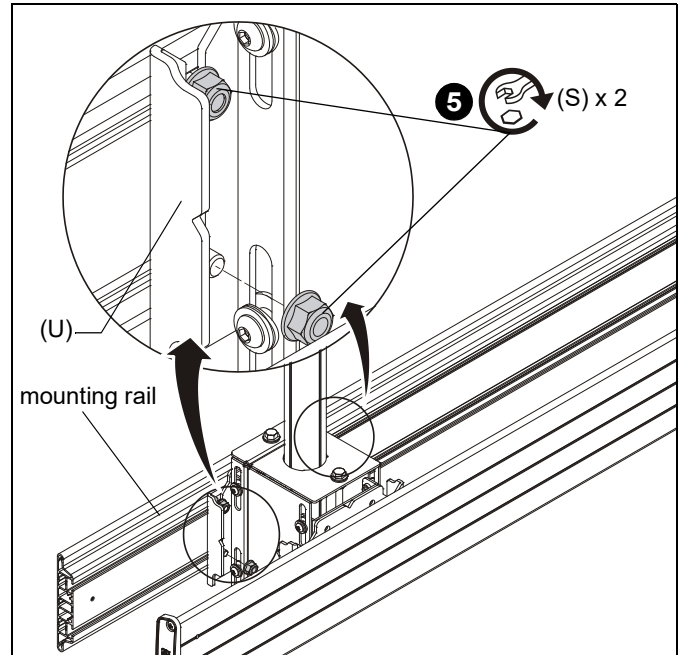


Figure 10

Connecting Add-on Head to Mounting Rail

1. Slide two T-slot studs (Q - one in top mounting rail slot and one in bottom) into end of mounting rail. (See Figure 9)

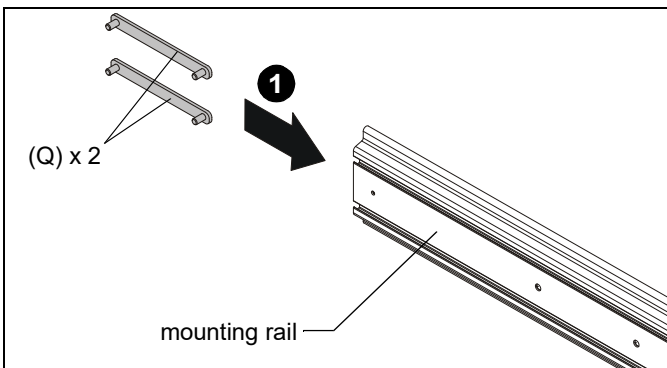


Figure 9

6. Add one end cap to each end of mounting rail, and fasten in place using two 1/4-20 x 1/2" Phillips self-tapping screws for each end cap. (See Figure 11)

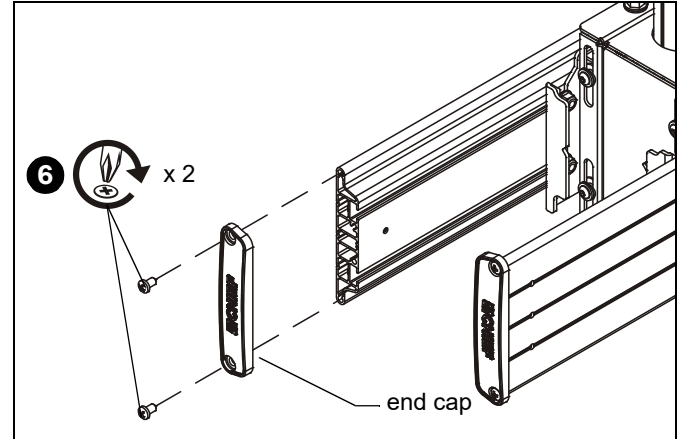


Figure 11

2. Partially fasten one 5/16" lock nut (S) to each stud on **upper** T-slot studs.
3. Slide top T-slot studs (Q) with attached lock nuts (S) down into top openings on add-on head (U). (See Figure 10)
4. Slide studs on lower T-slot stud (Q) into lower slots on add-on head (U) while bringing mounting rail against add-on head (U).

IMPORTANT ! : Both mounting rails must be located at the same height. One mounting rail must NOT be higher than the other mounting rail.

5. Tighten array head (U) to mounting rail by tightening lock nuts on upper T-slot studs and adding two 5/16" lock nuts (AA) to lower T-slot studs (Q). (See Figure 10)



A brand of  **legrand**

8800-003248 Rev00
©2021 Legrand | AV
www.legrandav.com
10/2021

| | |
|--------------------------|--|
| USA/International | A 6436 City West Parkway, Eden Prairie, MN 55344 P 800.582.6480 / 952.225.6000 F 877.894.6918 / 952.894.6918 |
| Europe | A Franklinstraat 14, 6003 DK Weert, Netherlands P +31 (0) 495 580 852 F +31 (0) 495 580 845 |
| Asia Pacific | A Office No. 918 on 9/F, Shatin Galleria 18-24 Shan Mei Street Fotan, Shatin, Hong Kong P 852 2145 4099 F 852 2145 4477 |

