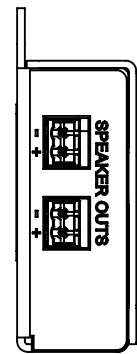
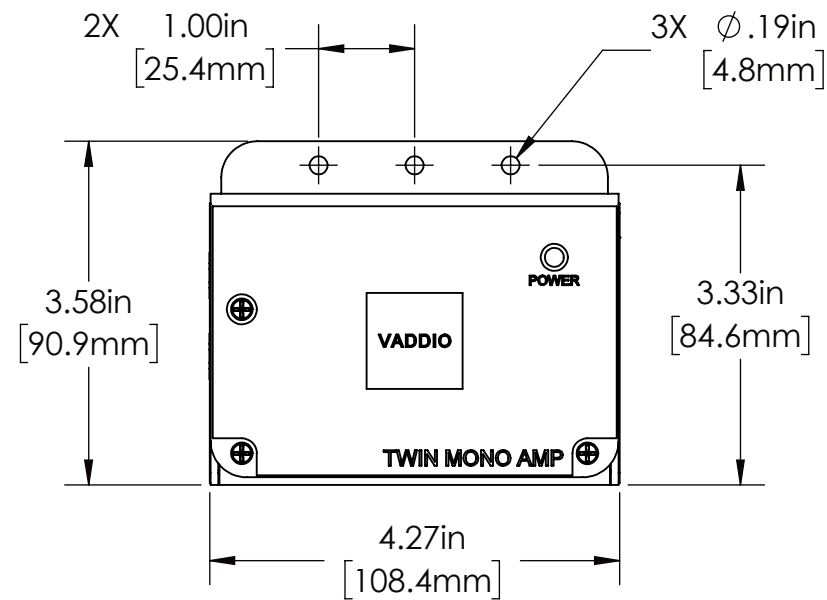


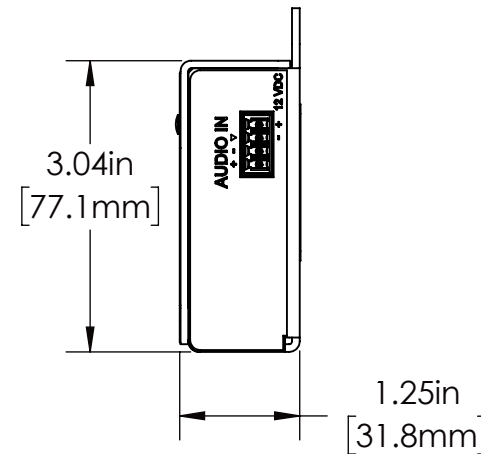
TOP VIEW



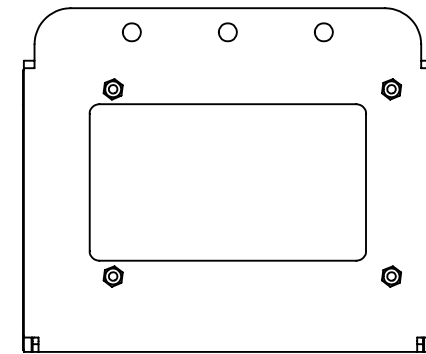
LEFT VIEW



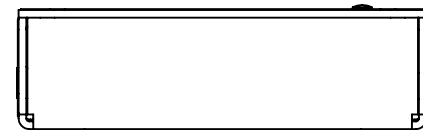
FRONT VIEW



RIGHT VIEW



REAR VIEW



BOTTOM VIEW

UNLESS OTHERWISE NOTED:
 DIMENSIONS ARE IN INCHES
 DIMENSIONAL LIMITS APPLY
 AFTER FINISH
 MACHINED SURFACES 125 ✓
 EDGES & FILLETS R .005/.015
 FRACTIONS ± 1/32
 ANGLES ± 1°
 DEC. .XX = ± .015
 .XXX = ± .005
 .XXX = ± .0002

THIS DRAWING, INCLUDING ALL SUBJECT MATTERS INDICATED THEREON OR DERIVED THEREFROM, COMPRISES PROPRIETARY INFORMATION AND IS THE EXPRESS PROPERTY OF LEGRAND AV INC. EMPLOYMENT, REPRODUCTION OF OR DISSEMINATION OF THIS DRAWING, IN WHOLE OR IN PART, WITHOUT WRITTEN PERMISSION OF LEGRAND AV INC IS STRICTLY FORBIDDEN.

VADDIO
 A brand of **legrand**

DRAWN WLF	CHECKED	APPROVED	DATE 3/3/22
MATERIAL VARIOUS			SIZE B
FINISH N/A			SCALE 1:2

TITLE TWIN MONO AMP ASSEMBLY	SHEET 1 OF 1	DRAWING NO. 998-9995-333	REV. A
---------------------------------	-----------------	-----------------------------	-----------