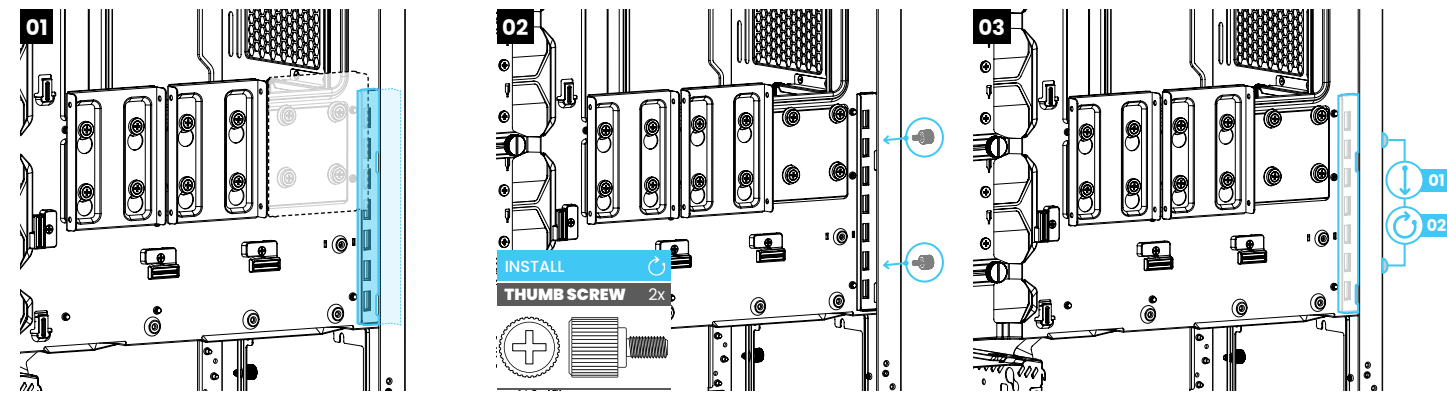


ANTI-SAG BRACKET



Make sure to install all GPU & PCI cards beforehand. Place the GPU anti-sag bracket at the back. For easy access, remove the SSD bracket first.

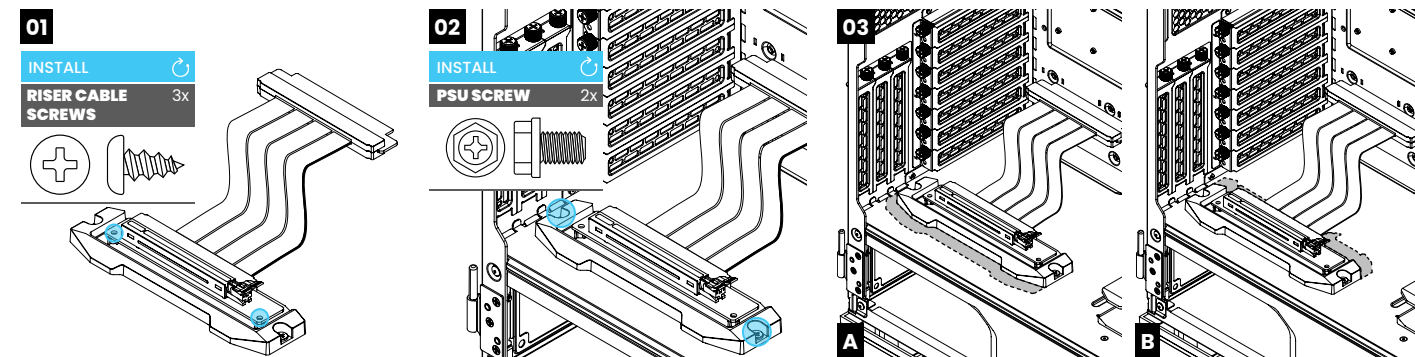
Insert the thumbscrews without tightening them.

Manually press down the screws (1), then lock the thumbscrews in position (2).

OPTIONAL UPGRADE INCLUDED VERTICAL GPU MOUNT

GEN 4 RISER CABLE SOLD SEPARATELY PH-CBRS4.0_FL22

The G500A chassis supports the placement of a vertical GPU with the included vertical GPU mount. The Vertical GPU mount has two mounting positions, A or B as seen at step 03.



Connect the riser cable to the vertical GPU mount and secure it with 2x long riser cable screws.

Secure the Vertical GPU mount on the chassis with 2x PSU screws.

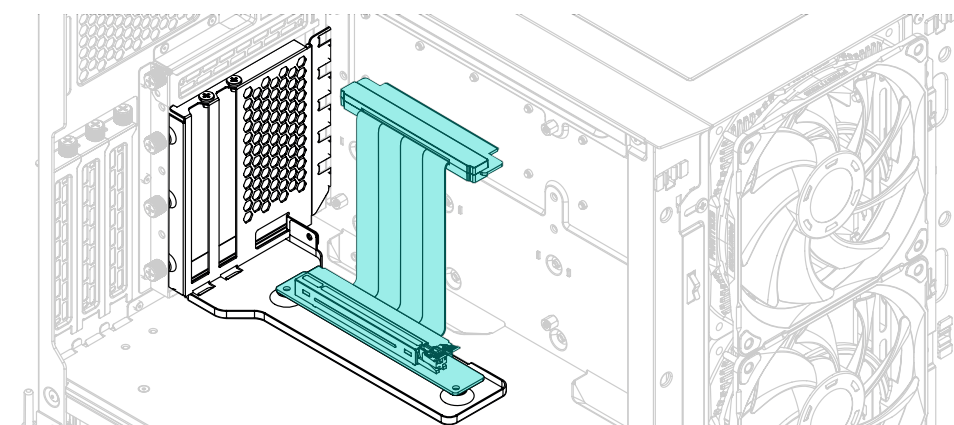
Position A can hold 3-slot GPU cards.

Position B can hold 2-slot GPU cards.

OPTIONAL UPGRADE

GEN 4 VERTICAL GPU BRACKET PH-VGPUKT4.0_03 (GEN 4.0 RISER CABLE INCLUDED)

As an alternative, the G500A supports the Phanteks Vertical GPU Bracket which supports up to a 4 slots GPU. Also this bracket puts the GPU further away from the tempered glass panel for increased airflow.



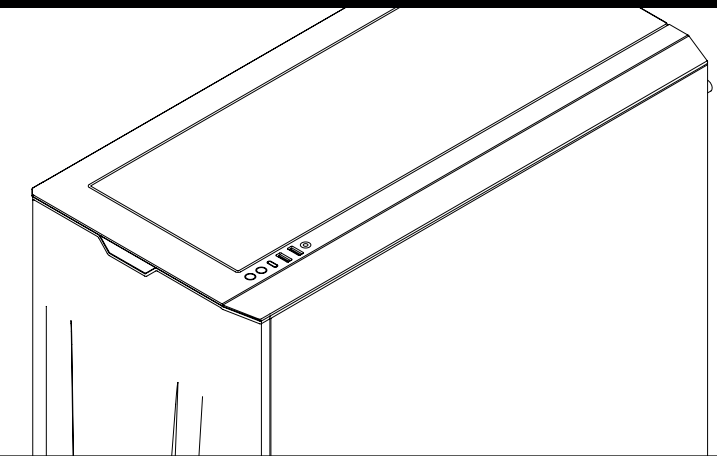
INSTRUCTIONS

Thank you for choosing Phanteks. This manual will guide you through the installation process of the Eclipse G500A chassis. If you have any questions, please contact us through our customer service or social media.

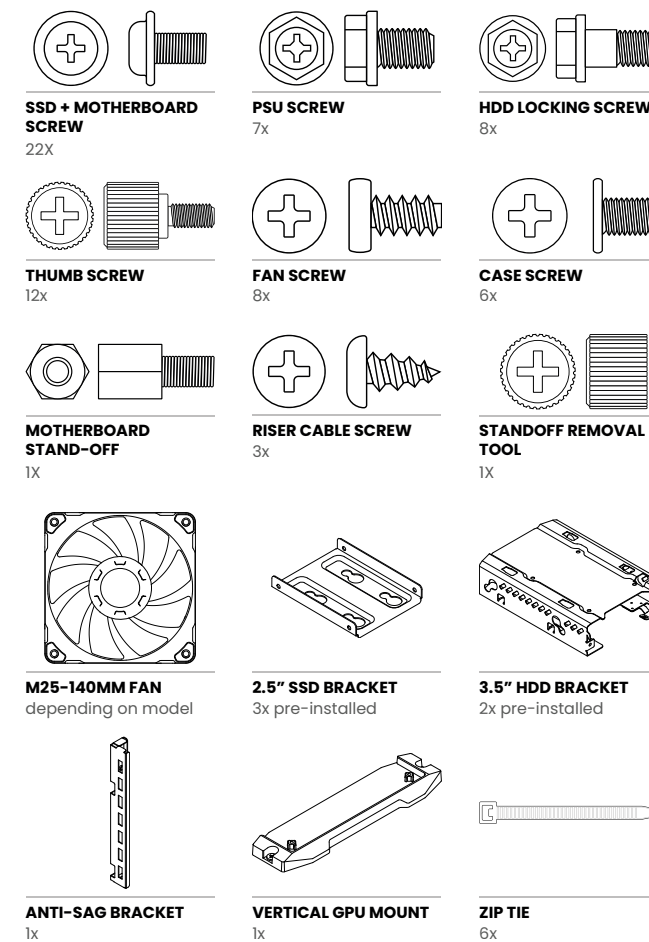
This manual is for the following models:

PH-EC500GA_DBK01A	D-RGB Satin Black	3x 140mm D-RGB Fans Black
PH-EC500GA_DMW01A	D-RGB Matte White	3x 140mm D-RGB Fans White
PH-EC500GA_BBK01	Performance	4x 140mm Fans Black
PH-EC500GA_DBK01B	D-RGB Fanless	No Fans

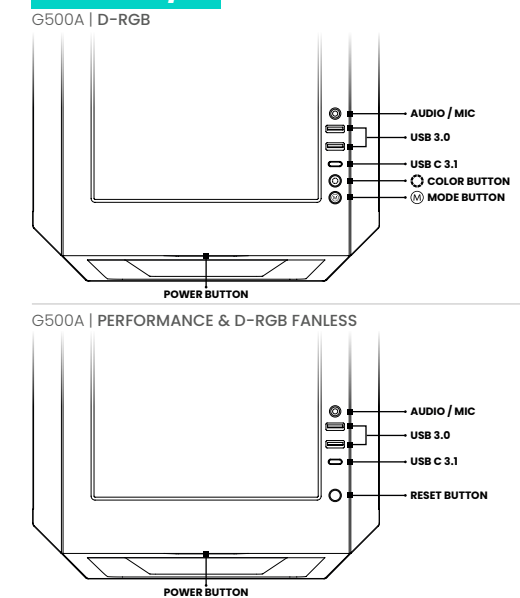
Phanteks will not take responsibility for any damages incurred due to incorrect installation or usage of this product.



INCLUDED ACCESSORIES

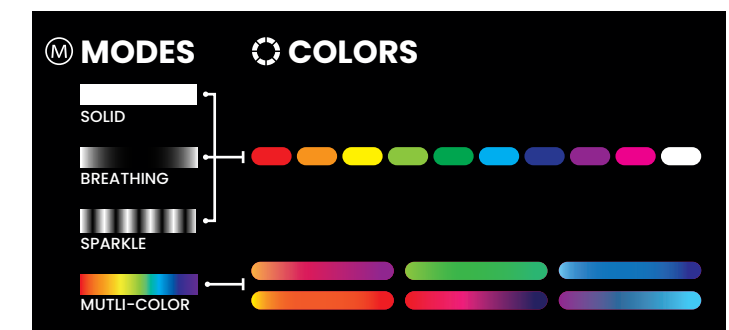


FRONT I/O



D-RGB CONTROLS

Only applicable for the following models: PH-EC500GA_DBK01A & PH-EC500GA_DMW01A



TURN OFF LEDs (M) Press and hold the MODE button for two seconds to turn off LEDs, press again to turn it ON

NOTE | D-RGB control buttons are deactivated when connected to a motherboard.

FAN & RADIATOR SUPPORT

FANS	FRONT	TOP	REAR
120mm	3x	3x	1x
140mm	3x	3x	1x
RADIATOR			
120mm	up to 360	up to 360	up to 120
140mm	up to 420	up to 280	up to 140

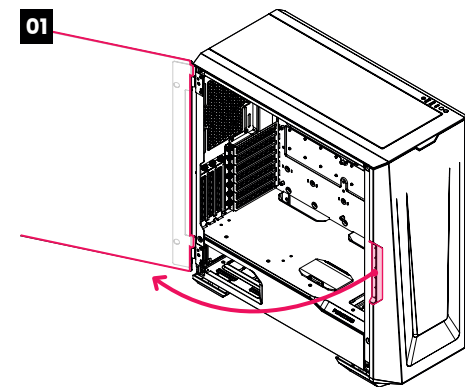
CLEARANCE

CPU Cooler Height	185 mm
GPU Length	435 mm
Power Supply	250 mm <small>195mm if all 4 bottom HDD positions used</small>
Front Panel Fan	33 mm <small>Behind front panel</small>
Front 360 Radiator	95 mm
Top 360 Radiator	70 mm
Front 420 Radiator	142 x 475 mm

PANEL REMOVAL

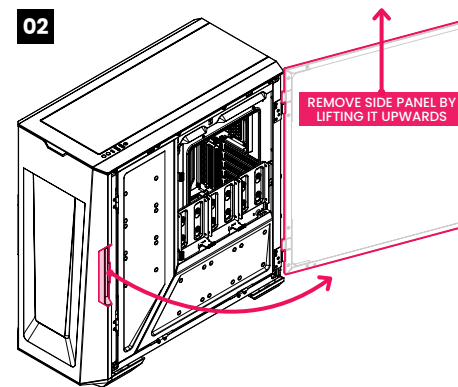
It is recommended to remove all external panels before starting the installation process. The G500A comes with storage cover panels that are behind the right side panel, these support up to 6x 2.5" SSDs next to the 3x 2.5" SSD pre-installed brackets.

LEFT SIDE PANEL



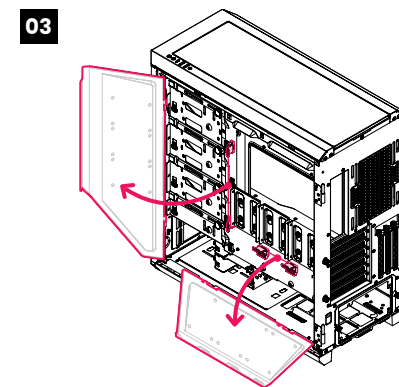
Open the left side panel and lift upwards to remove it.

RIGHT SIDE PANEL



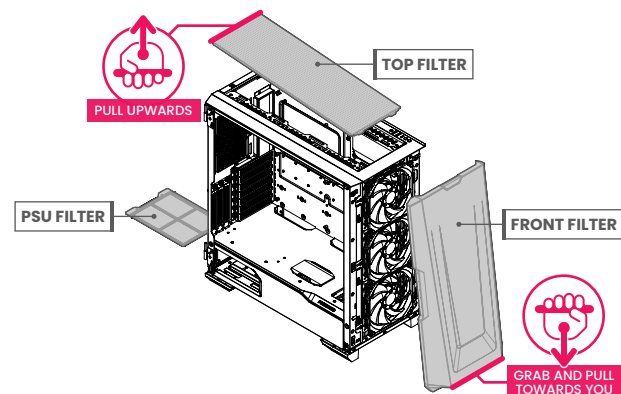
Open the right side panel and lift upwards to remove it.

COVER PANELS



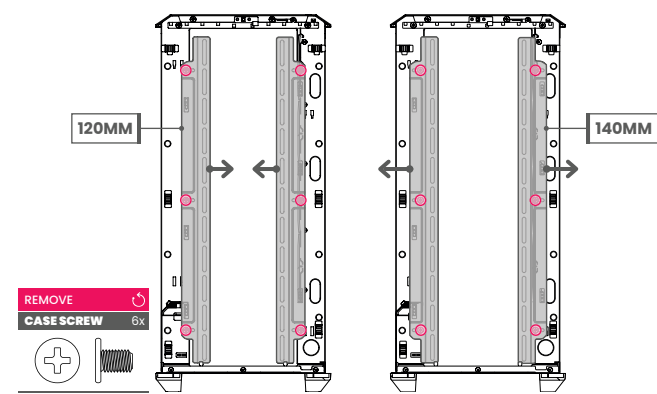
To access the storage space, push down the clips on each cover panel to release it.

FRONT PANEL & DUST FILTERS



Remove the front panel by pulling the panel from below towards you. The top filter can also be removed by pulling it upwards from the rear. The PSU filter can be removed by sliding it outwards.

FRONT FAN BRACKETS

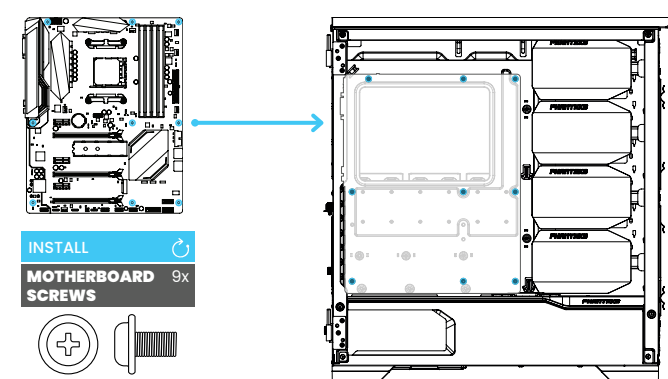


The front fan brackets can be secured in the 120mm fan position by 6x screws.

Out of the box the brackets are set to 140mm position.

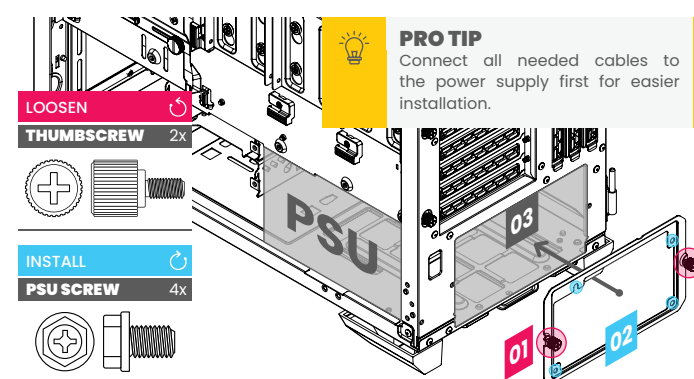
HARDWARE INSTALLATION

MOTHERBOARD



Install the ATX motherboard using 9x motherboard screws. For M-ATX Motherboards follow the motherboard instructions to move the stand-offs to the correct position. Use the 'stand-off removal tool' when using a smaller motherboard.

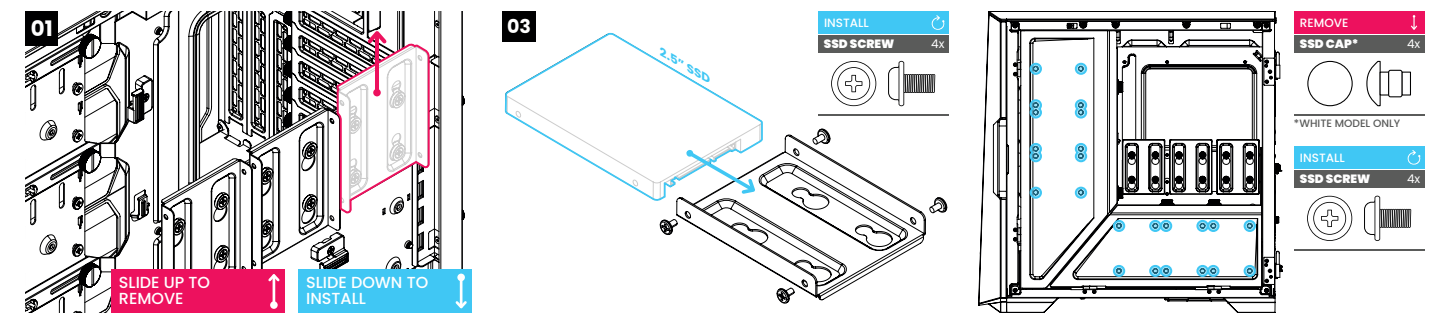
POWERSUPPLY



(01) Remove the PSU bracket first by loosening the 2x thumb screws. (02) Install the power supply with 4x PSU screws onto the bracket. (03) Place it back into the chassis and tighten the 2x thumb screws.

PRO TIP
Connect all needed cables to the power supply first for easier installation.

STORAGE | 2.5" SSD

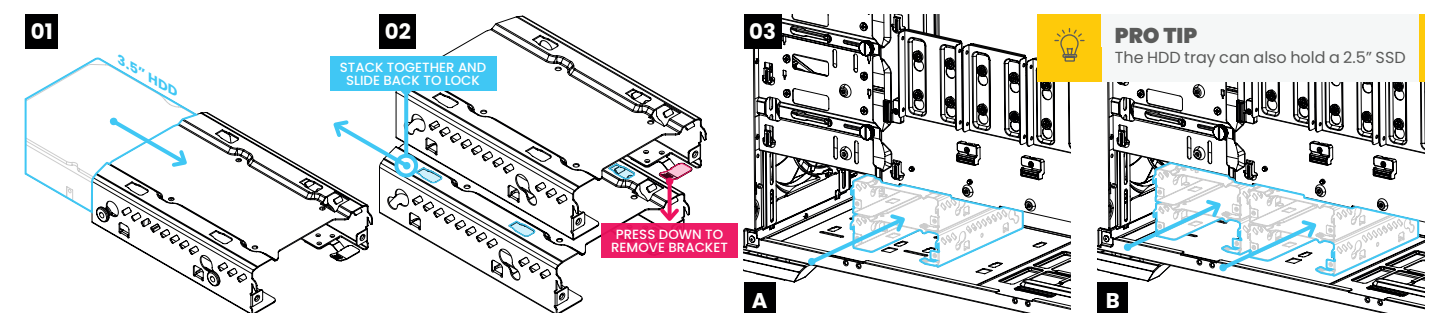


Slide the SSD Bracket up to remove it from the chassis.

Secure the SSD with 4x SSD screws to the SSD Bracket.

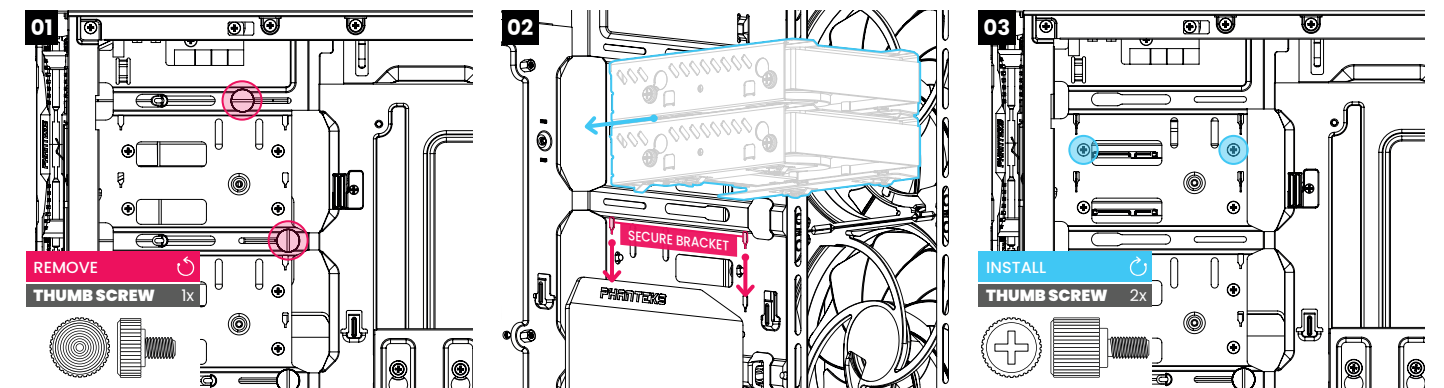
For even more storage, secure the SSD with 4x SSD screws directly onto the panels.

STORAGE | 3.5" HDD



Slide the 3.5" HDD into the HDD cage. When installing 2x 3.5" HDD brackets, stack them first before placing it into the chassis.

Slide the HDD bracket into the bottom part of the chassis, make sure they click when installed to be sure it is installed correctly.



Remove the HDD thumb screw to remove the cable cover(s) on the inside of the chassis.

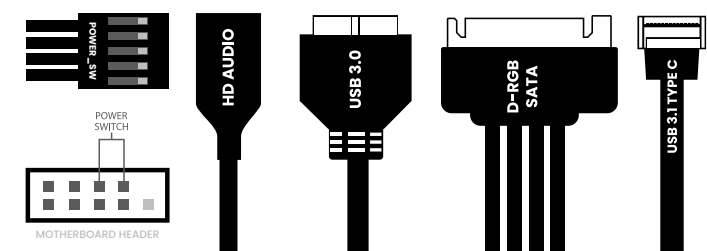
Slide the HDD bracket in, then press it down to secure it.

To lock the HDD bracket, use 2x Thumb screws per bracket.

CABLES

Connect the front I/O cables to the motherboard and power supply.

MOTHERBOARD FRONT I/O



D-RGB CABLES

Only applicable for the following models:
PH-EC500GA_DBK01A, PH-EC500GA_DMW01A & PH-EC500GA_DBK01B

More D-RGB lighting products can be connected to the integrated D-RGB controller. Optionally, lighting can be connected and controlled via motherboard software.

EXPAND WITH MORE D-RGB PRODUCTS

SYNC LIGHTING TO THE MOTHERBOARD

