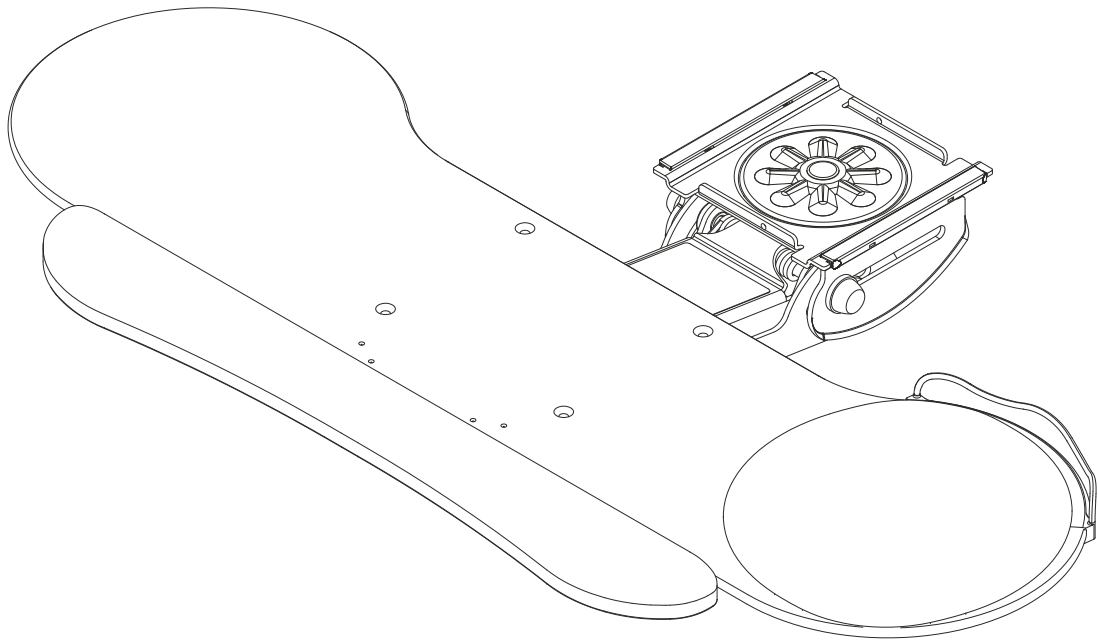

INSTALLATION INSTRUCTIONS



Ultra-compact Keyboard Trays

DISCLAIMER

Milestone AV Technologies and its affiliated corporations and subsidiaries (collectively "Milestone"), intend to make this manual accurate and complete. However, Milestone makes no claim that the information contained herein covers all details, conditions or variations, nor does it provide for every possible contingency in connection with the installation or use of this product. The information contained in this document is subject to change without notice or obligation of any kind. Milestone makes no representation of warranty, expressed or implied, regarding the information contained herein. Milestone assumes no responsibility for accuracy, completeness or sufficiency of the information contained in this document.

Chief® is a registered trademark of Milestone AV Technologies. All rights reserved.

DEFINITIONS

MOUNTING SYSTEM: A MOUNTING SYSTEM is the primary Chief product to which an accessory and/or component is attached.

ACCESSORY: AN ACCESSORY is the secondary Chief product which is attached to a primary Chief product, and may have a component attached or setting on it.

COMPONENT: A COMPONENT is an audiovisual item designed to be attached or resting on an accessory or mounting system such as a video camera, CPU, screen, display, projector, etc.



WARNING: A WARNING alerts you to the possibility of serious injury or death if you do not follow the instructions.



CAUTION: A CAUTION alerts you to the possibility of damage or destruction of equipment if you do not follow the corresponding instructions.



IMPORTANT SAFETY INSTRUCTIONS



WARNING: Failure to read, thoroughly understand, and

follow all instructions can result in serious personal injury, damage to equipment, or voiding of factory warranty! It is the installer's responsibility to make sure all mounting systems are properly assembled and installed using the instructions provided.



WARNING: Failure to provide adequate structural strength for this mounting systems can result in serious personal injury or damage to equipment! It is the installer's responsibility to make sure the structure to which this mounting system is attached can support five times the combined weight of all equipment. Reinforce the structure as required before installing the mounting system.



WARNING: Exceeding the weight capacity can result in serious personal injury or damage to equipment! It is the installer's responsibility to make sure the combined weight of all components attached to mounting system does not exceed 10 lbs (4.5 kg).



WARNING: Use this mounting system only for its intended use as described in these instructions. Do not use attachments not recommended by the manufacturer.



WARNING: Never operate this mounting system if it is damaged. Return the mounting system to a service center for examination and repair.



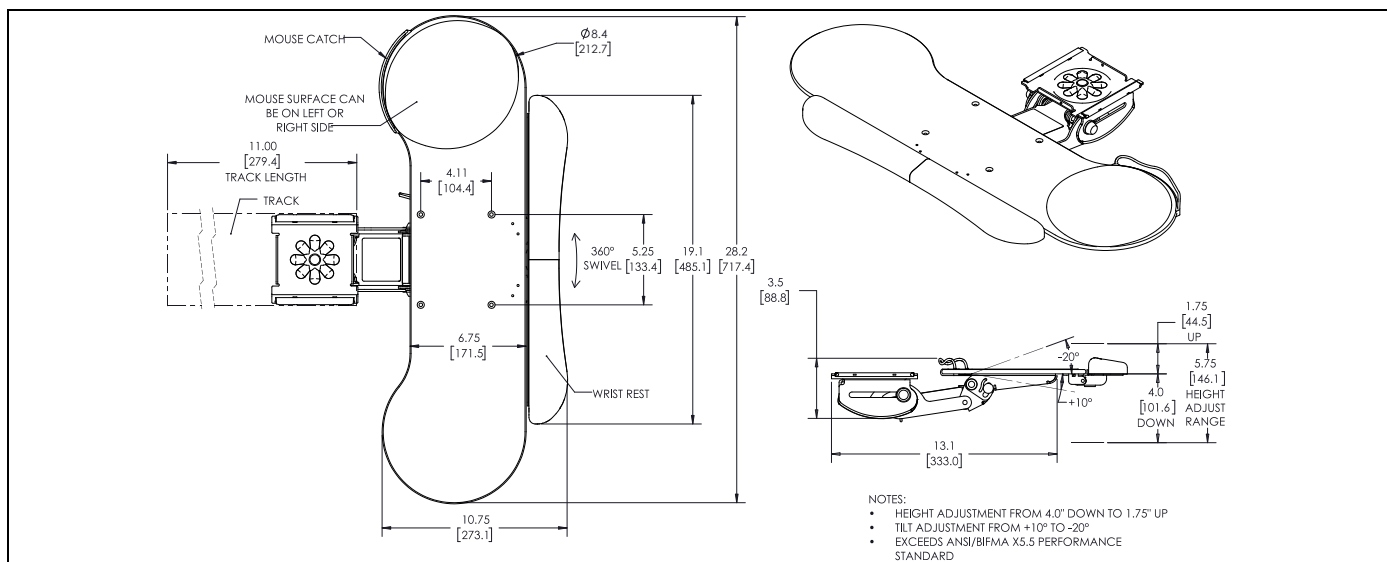
WARNING: Do not use this mounting system outdoors.



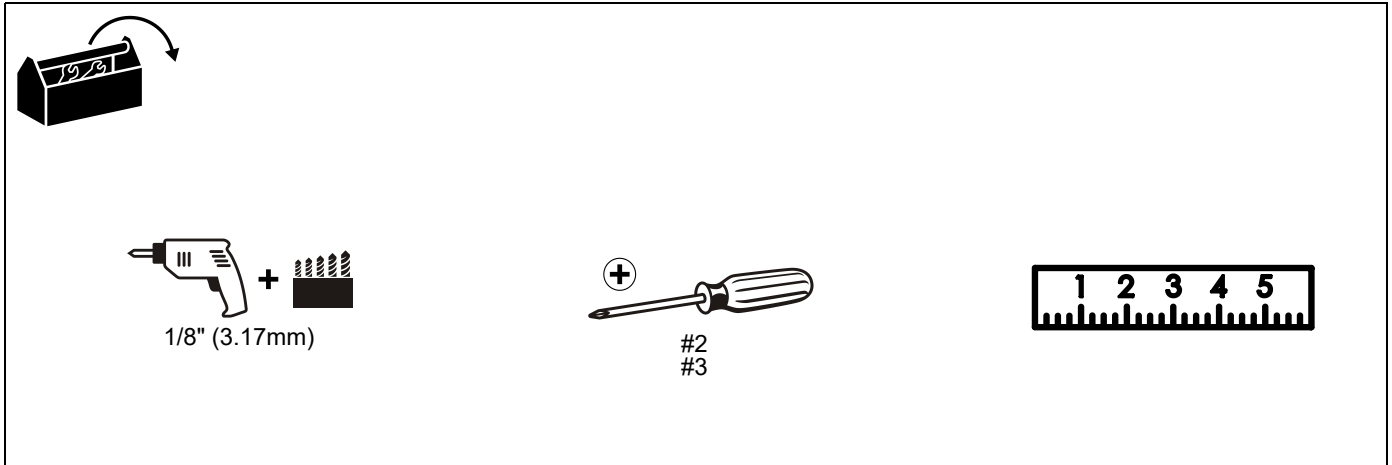
WARNING: RISK OF INJURY TO PERSONS! Do not use this mounting system / accessory to support video equipment such as televisions or computer monitors.

--SAVE THESE INSTRUCTIONS--

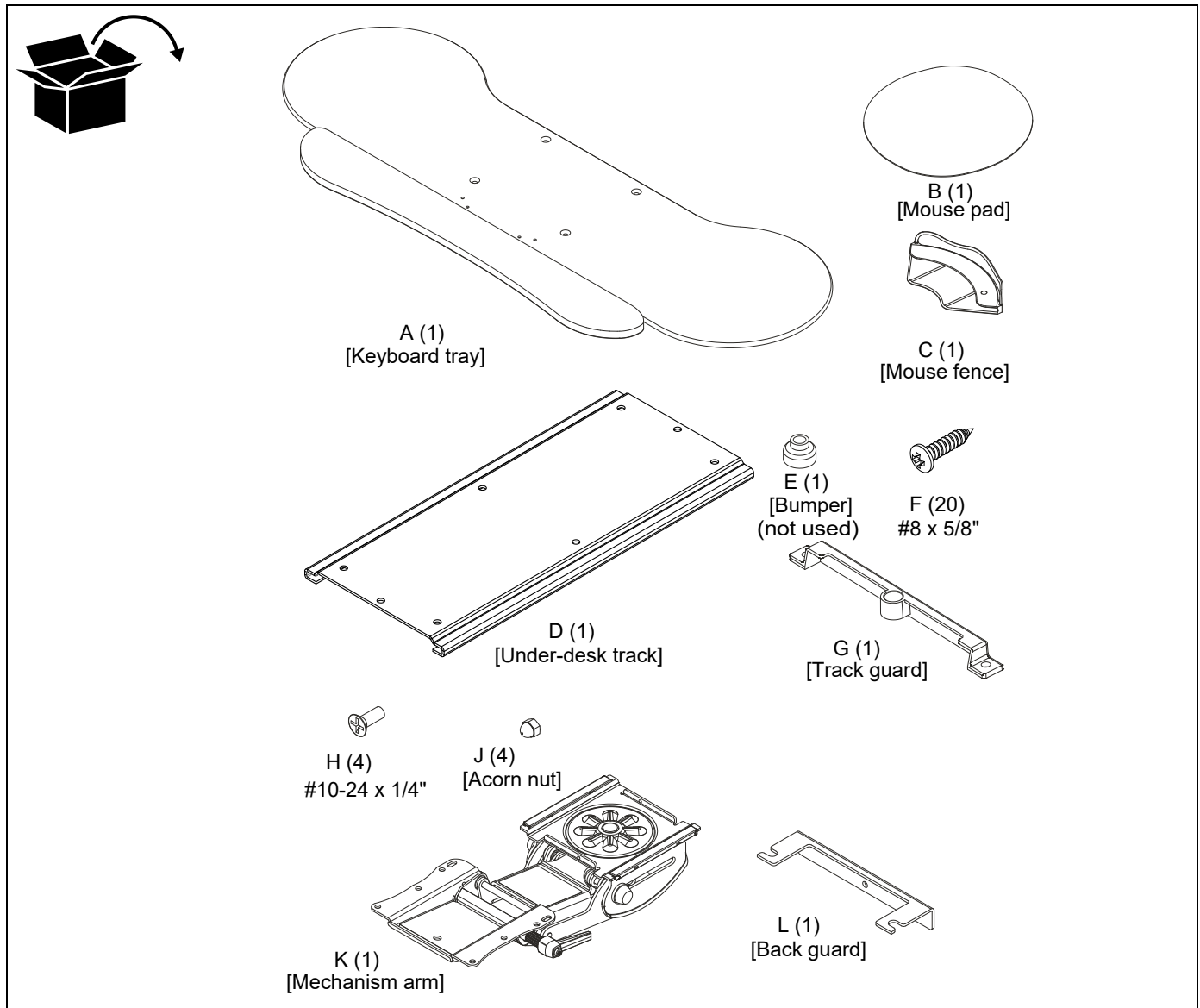
DIMENSIONS



TOOLS REQUIRED FOR INSTALLATION



PARTS



Assembly And Installation

1. Use four #10-24 x 1/4" Phillips machine screws (H) and four acorn nuts (J) to secure keyboard tray (A) to keyboard mechanism arm (K). (See Figure 1)

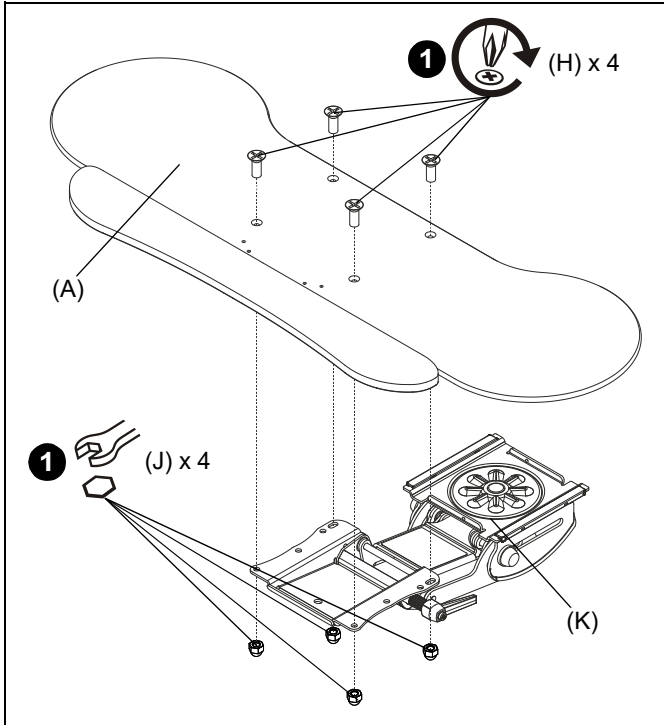


Figure 1

2. Using under-desk track (D) as a template, mark and drill seven 1/8" diameter pilot holes. (See Figure 2)

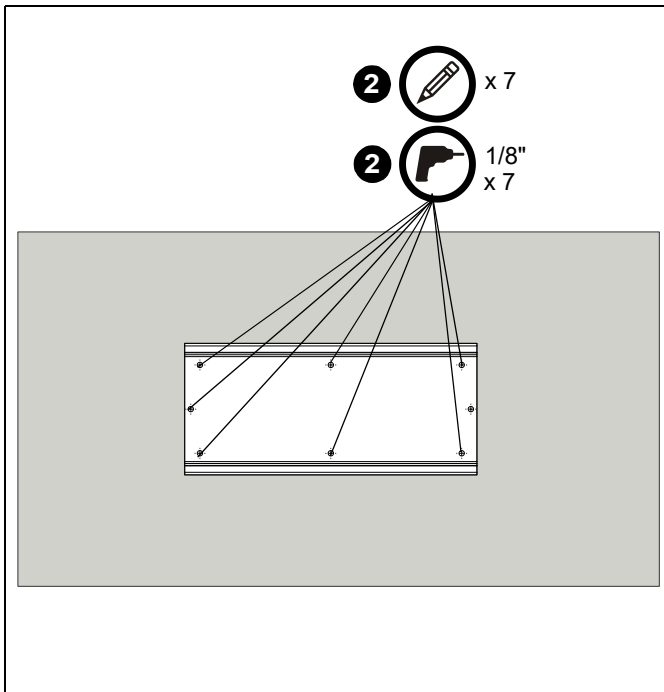


Figure 2

3. Use two #8 x 5/8" wood screws (F) to secure under-desk track (D) to desk. (See Figure 3)

4. Install back guard (L) with four #8 x 5/8" wood screws (F). (See Figure 3)

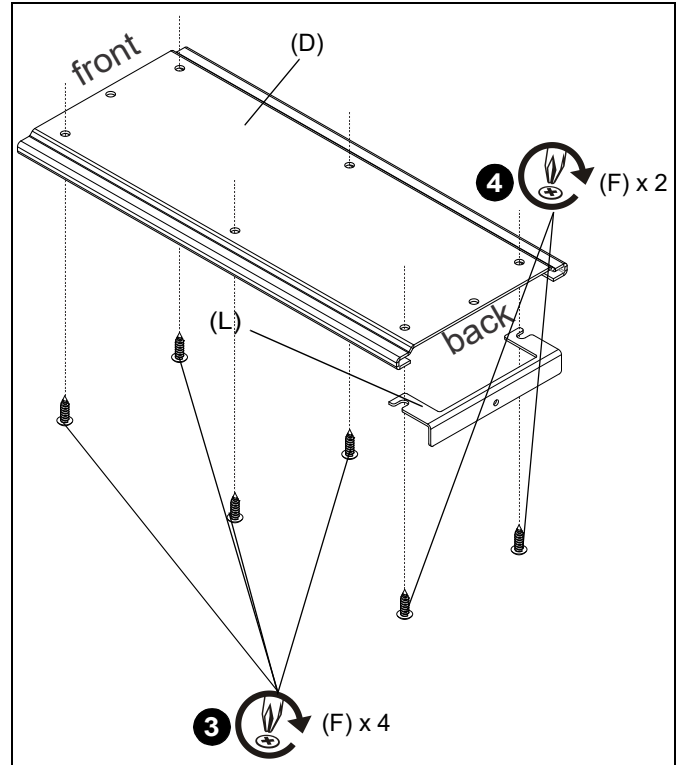


Figure 3

5. Place mouse pad (B) onto tray surface. (See Figure 4)
6. Slide mouse fence (C) onto tray surface. (See Figure 4)

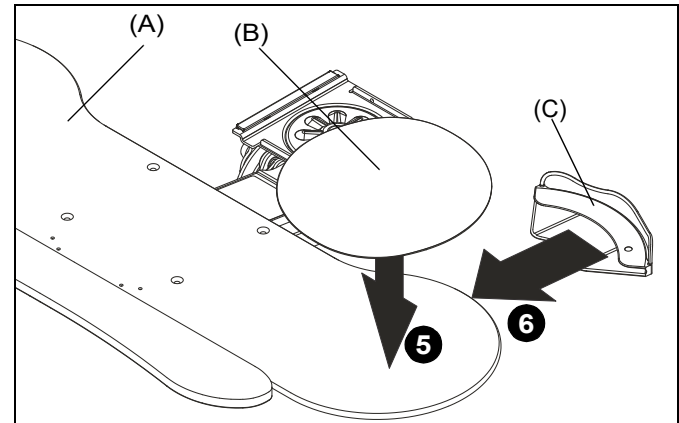


Figure 4

- Slide keyboard tray (A) into under-desk track (D). (See Figure 5)

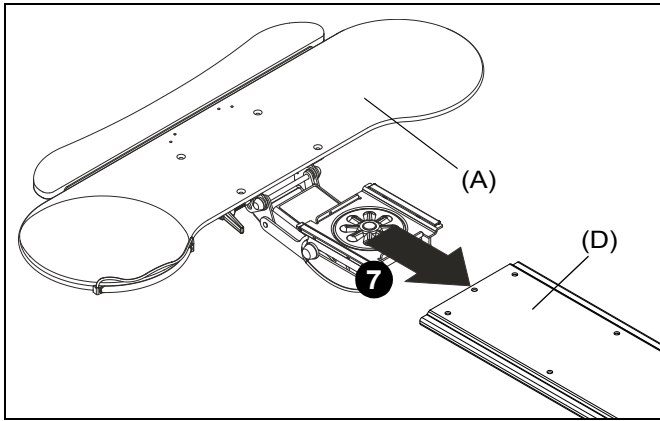


Figure 5

- Use three #8 x 5/8" wood screws (F) to secure track guard (G) to under-desk track (D) and desk. (See Figure 6)

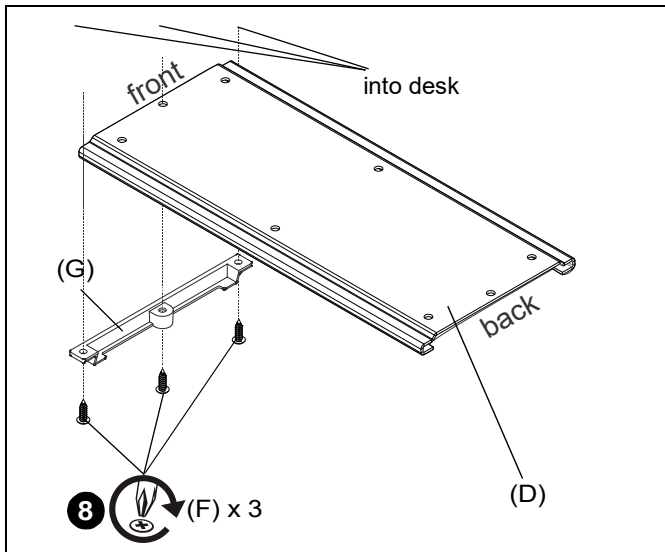


Figure 6

Adjustments

Height

- Lift mechanism arm up or down until desired height is reached. (See Figure 7)

Tilt

- Turn tilt knob to adjust keyboard tray tilt. (See Figure 7)

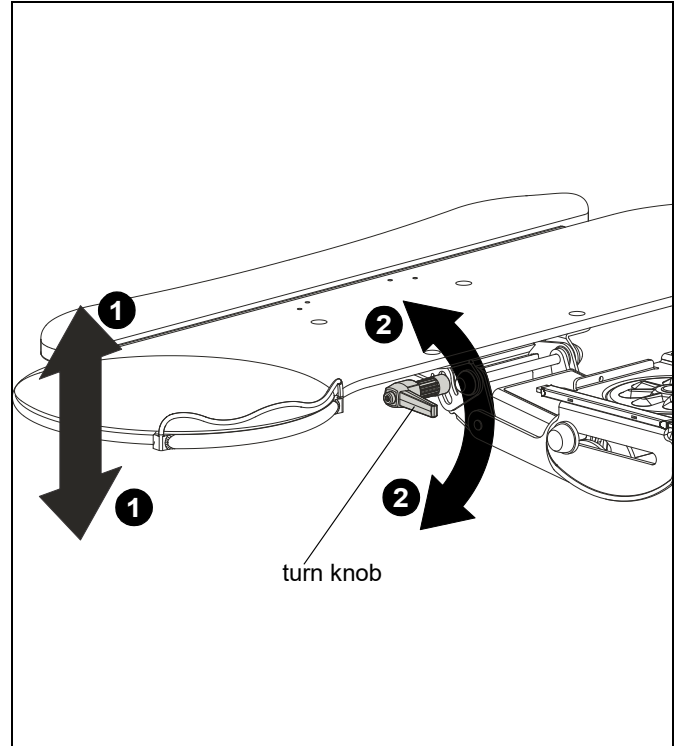


Figure 7



Our Mounts. **Your Vision.**

Chief, a products division of
Milestone AV Technologies

8800-003073 Rev01
©2018 Milestone AV Technologies
www.milestone.com
12/18

USA/International	A 6436 City West Parkway, Eden Prairie, MN 55344 P 800.582.6480 / 952.225.6000 F 877.894.6918 / 952.894.6918
Europe	A Franklinstraat 14, 6003 DK Weert, Netherlands P +31 (0) 495 580 852 F +31 (0) 495 580 845
Asia Pacific	A Office No. 918 on 9/F, Shatin Galleria 18-24 Shan Mei Street Fotan, Shatin, Hong Kong P 852 2145 4099 F 852 2145 4477

