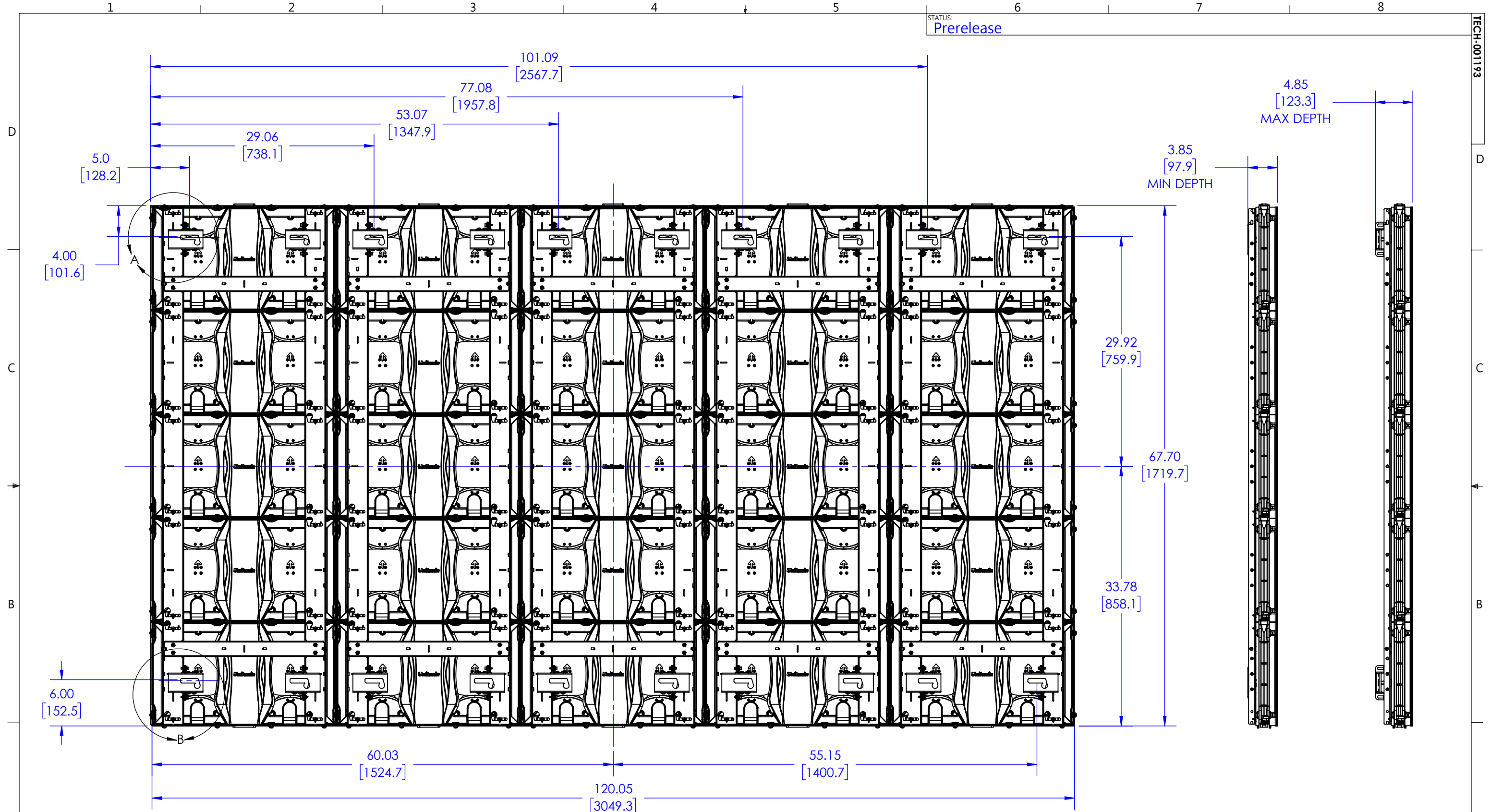


THE INFORMATION AND DESIGNS CONTAINED IN THIS DRAWING ARE CONFIDENTIAL AND THE PROPRIETARY PROPERTY OF LEGRAND | AV. NEITHER THIS DESIGN NOR ANY INFORMATION CONTAINED IN THIS DRAWING MAY BE REPRODUCED OR DISCLOSED TO OTHERS WITHOUT THE EXPRESS WRITTEN CONSENT OF LEGRAND | AV.

CAD GENERATED DRAWING, DO NOT MANUALLY UPDATE.				6436 CITY WEST PKWY EDEN PRAIRIE MN, 55344 PHONE: 866-977-3901 FAX: 877-894-6918	
DRAWN BY	MM	9/13/2021	DESCRIPTION		
ENG APPROVAL			5 X 5 TIL1X5UU TECH DRAWING		
MFG APPROVAL			MODEL NO.		
QA APPROVAL			TIL1X5UU (5)		
SHEET 1 OF 3		SCALE	SIZE	DWG. NO.	REV.
		1:12	B	TECH-001193	

TECH-001193

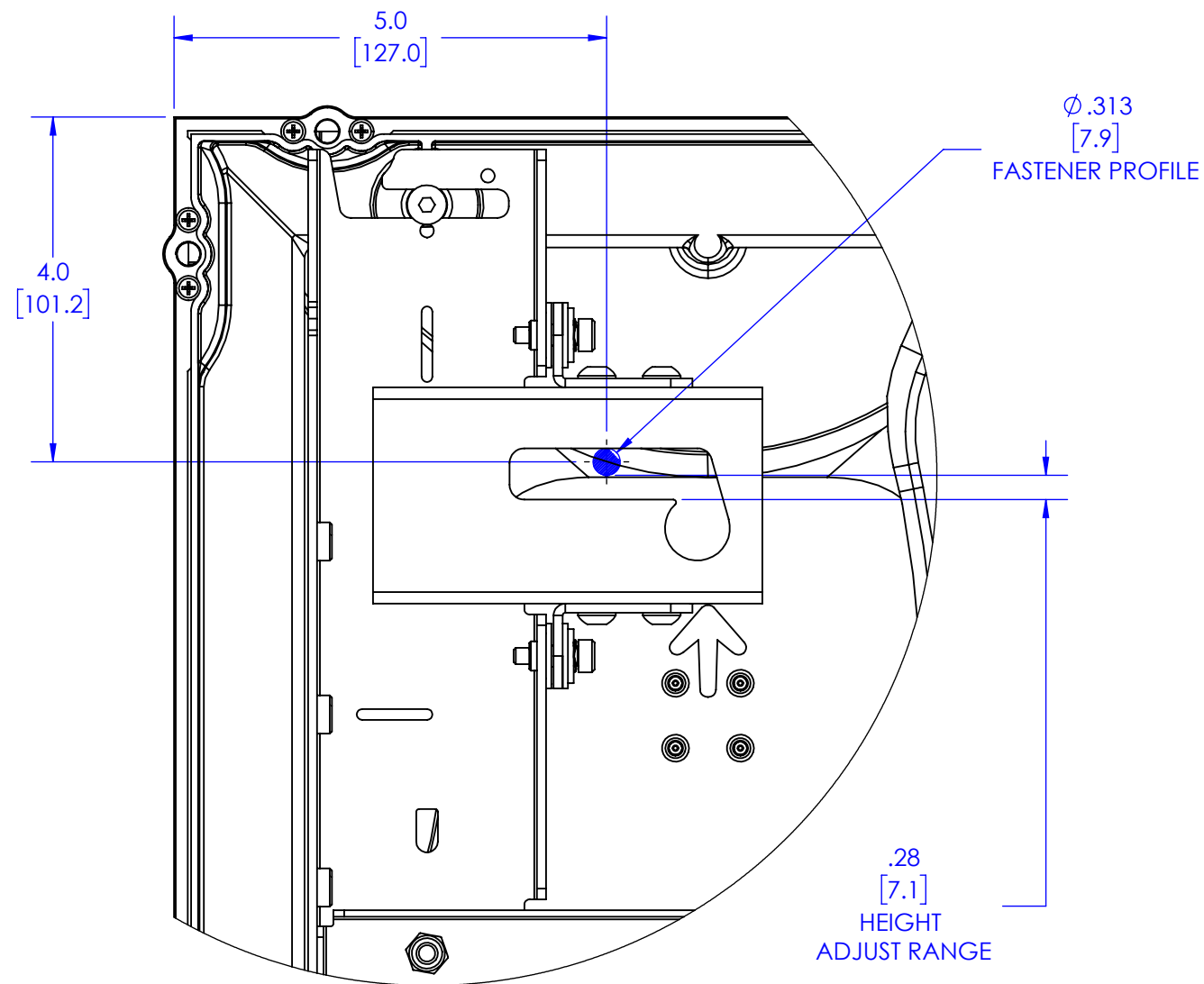
A



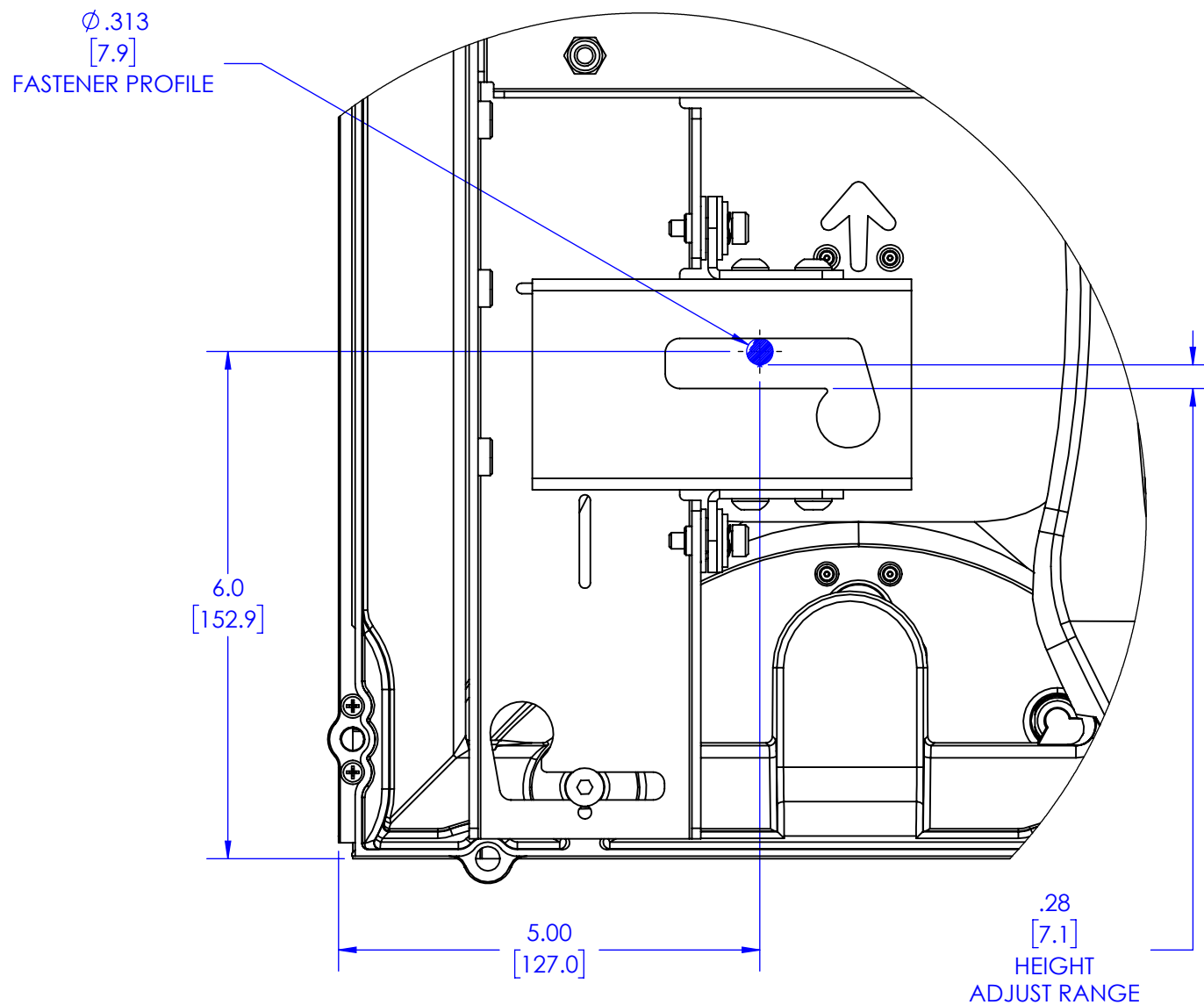
\*DETAIL VIEWS ON SHEET 3\*

THE INFORMATION AND DESIGNS CONTAINED IN THIS DRAWING ARE CONFIDENTIAL AND THE PROPRIETARY PROPERTY OF LEGRAND | AV. NEITHER THIS DESIGN NOR ANY INFORMATION CONTAINED IN THIS DRAWING MAY BE REPRODUCED OR DISCLOSED TO OTHERS WITHOUT THE EXPRESS WRITTEN CONSENT OF LEGRAND | AV.

CAD GENERATED DRAWING, DO NOT MANUALLY UPDATE.					6436 CITY WEST PKWY EDEN PRAIRIE MN, 55344 PHONE: 866-977-3901 FAX: 877-894-6918	
DRAWN BY	MM	9/13/2021	DESCRIPTION			
ENG APPROVAL			5 X 5 TIL1X5UU TECH DRAWING			
MFG APPROVAL			MODEL NO.			
QA APPROVAL			TIL1X5UU (5)			
SHEET 2 OF 3		SCALE	SIZE	DWG. NO.	REV.	
		1:12	B	TECH-001193		



DETAIL A  
SCALE 1 : 2



DETAIL B  
SCALE 1 : 2

THE INFORMATION AND DESIGNS CONTAINED IN THIS DRAWING ARE CONFIDENTIAL AND THE PROPRIETARY PROPERTY OF LEGRAND | AV. NEITHER THIS DESIGN NOR ANY INFORMATION CONTAINED IN THIS DRAWING MAY BE REPRODUCED OR DISCLOSED TO OTHERS WITHOUT THE EXPRESS WRITTEN CONSENT OF LEGRAND | AV.

CAD GENERATED DRAWING, DO NOT MANUALLY UPDATE.					6436 CITY WEST PKWY EDEN PRAIRIE, MN, 55344 PHONE: 866-977-3901 FAX: 877-894-6918
DRAWN BY	MM	9/13/2021	DESCRIPTION 5 X 5 TIL1X5UU TECH DRAWING		
ENG APPROVAL			MODEL NO. TIL1X5UU (5)		
MFG APPROVAL			SIZE	DWG. NO.	REV.
QA APPROVAL			B	TECH-001193	
SHEET 3 OF 3		SCALE 1:12			