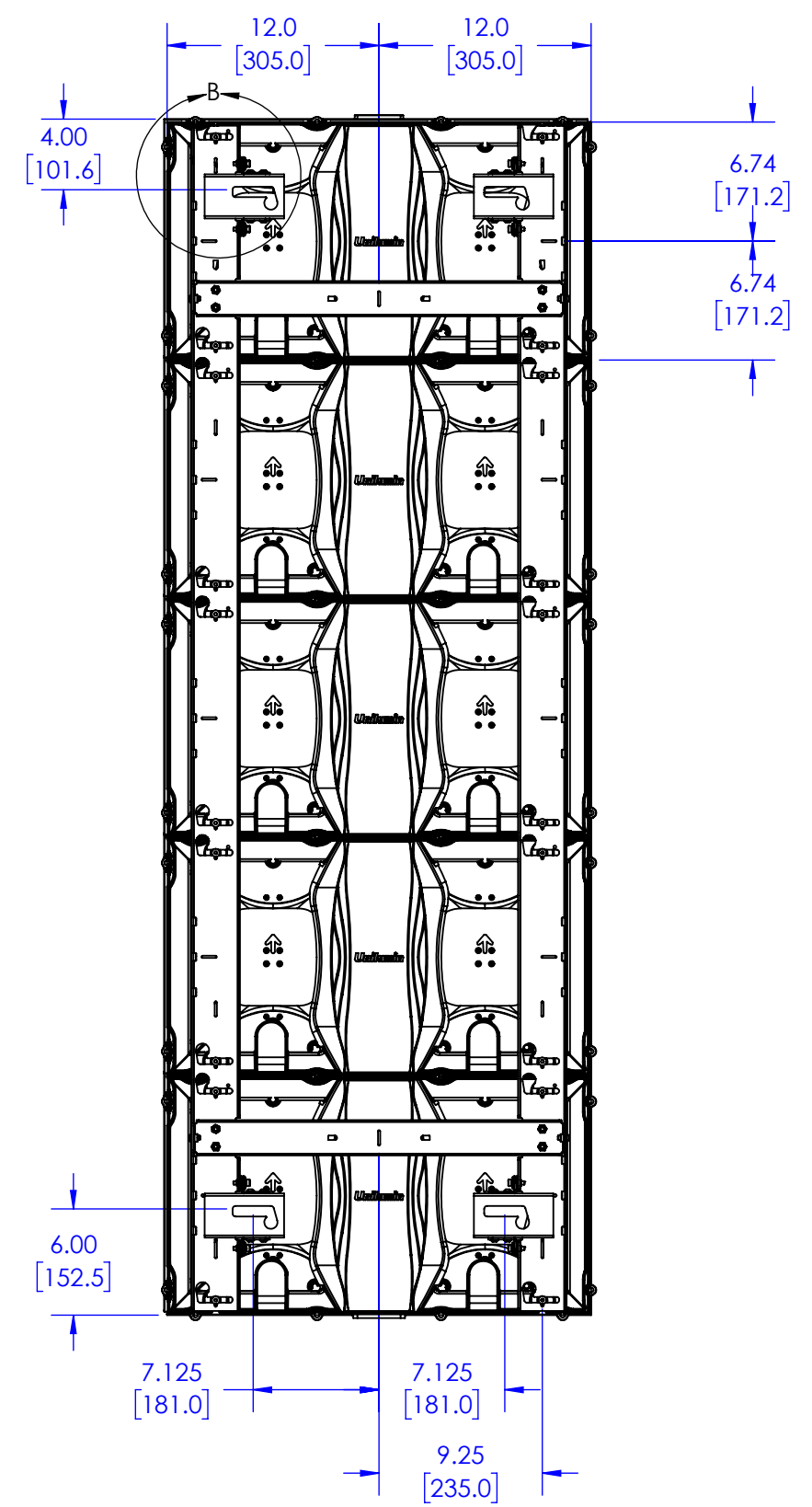


DETAIL A
SCALE 1 : 2

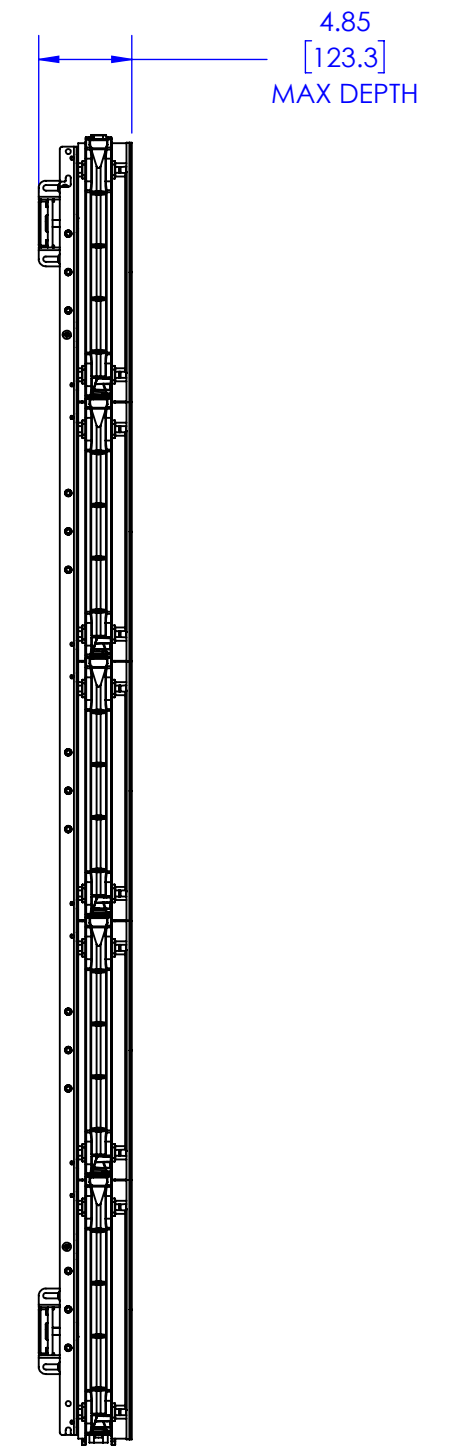
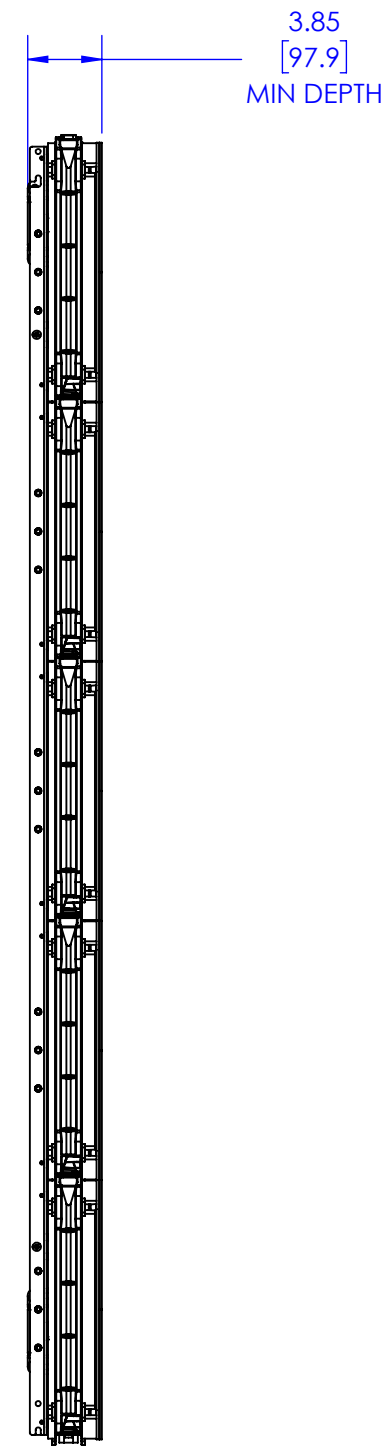
THE INFORMATION AND DESIGNS CONTAINED IN THIS DRAWING ARE CONFIDENTIAL AND THE PROPRIETARY PROPERTY OF LEGRAND | AV. NEITHER THIS DESIGN NOR ANY INFORMATION CONTAINED IN THIS DRAWING MAY BE REPRODUCED OR DISCLOSED TO OTHERS WITHOUT THE EXPRESS WRITTEN CONSENT OF LEGRAND | AV.

CAD GENERATED DRAWING, DO NOT MANUALLY UPDATE.					6436 CITY WEST PKWY EDEN PRAIRIE MN, 55344 PHONE: 866-977-3901 FAX: 877-894-6918	
DRAWN BY	MM	9/9/2021	DESCRIPTION			
ENG APPROVAL			U-PANEL S & BARCO XT, LED MOUNT, 5-HIGH			
MFG APPROVAL			MODEL NO.			
QA APPROVAL			TIL1X5UU			
SHEET 1 OF 3		SCALE	SIZE	DWG. NO.	REV.	
		1:10	B	TECH-001192		

DETAIL VIEW ON SHEET 3



REAR VIEW (WALL SIDE)

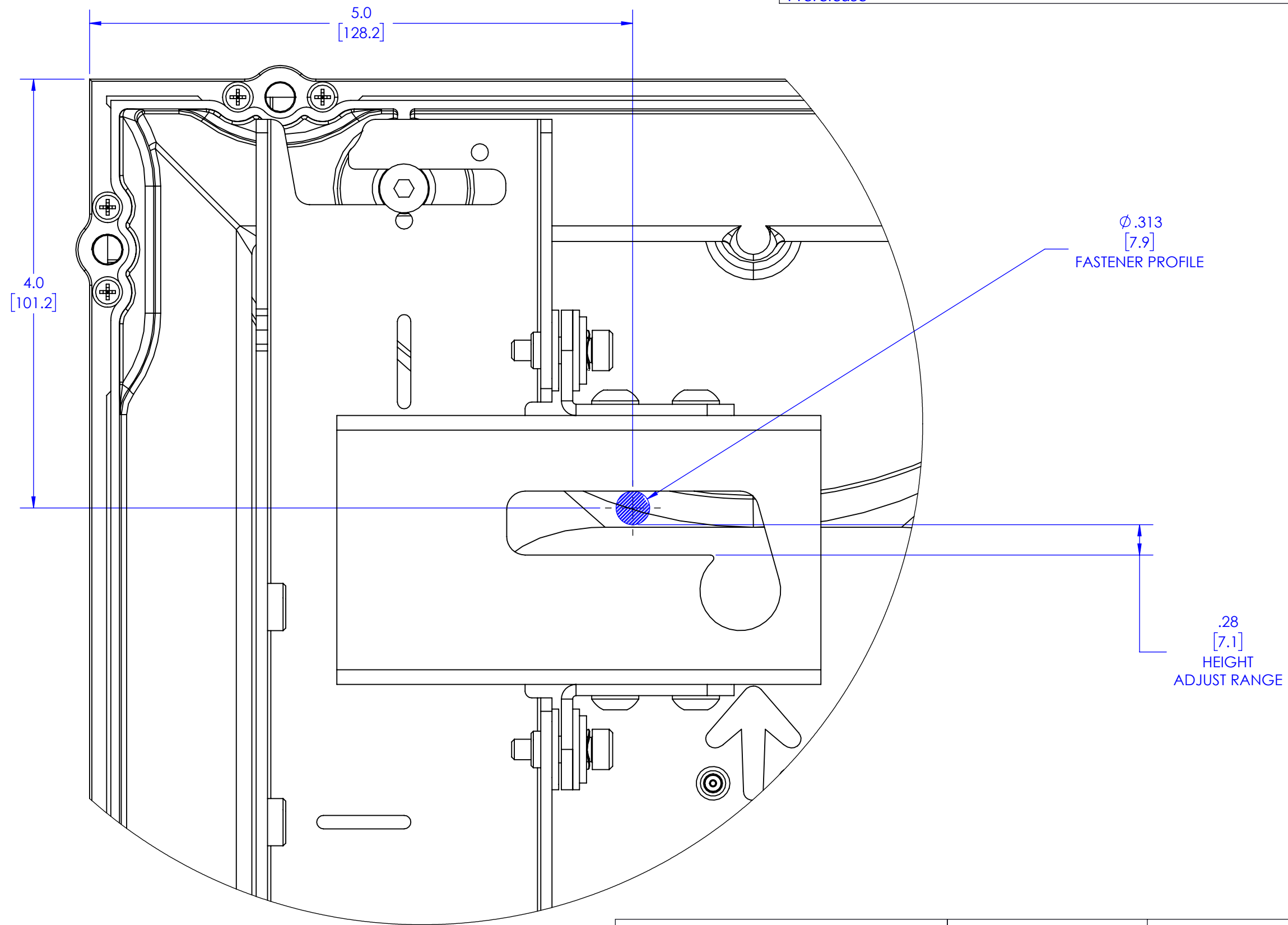


THE INFORMATION AND DESIGNS CONTAINED IN THIS DRAWING ARE CONFIDENTIAL AND THE PROPRIETARY PROPERTY OF LEGRAND | AV. NEITHER THIS DESIGN NOR ANY INFORMATION CONTAINED IN THIS DRAWING MAY BE REPRODUCED OR DISCLOSED TO OTHERS WITHOUT THE EXPRESS WRITTEN CONSENT OF LEGRAND | AV.

CAD GENERATED DRAWING, DO NOT MANUALLY UPDATE.					6436 CITY WEST PKWY EDEN PRAIRIE, MN, 55344 PHONE: 866-977-3901 FAX: 877-894-6918	
DRAWN BY	MM	9/9/2021	DESCRIPTION			
ENG APPROVAL			U-PANEL S & BARCO XT, LED MOUNT, 5-HIGH			
MFG APPROVAL			MODEL NO.			
QA APPROVAL			TILX5UU			
SHEET 2 OF 3		SCALE 1:10	SIZE B	DWG. NO. TECH-001192	REV.	

STATUS:
Prerelease

TECH-001192



DETAIL B
SCALE 1 : 1

THE INFORMATION AND DESIGNS CONTAINED IN THIS DRAWING ARE CONFIDENTIAL AND THE PROPRIETARY PROPERTY OF LEGRAND | AV. NEITHER THIS DESIGN NOR ANY INFORMATION CONTAINED IN THIS DRAWING MAY BE REPRODUCED OR DISCLOSED TO OTHERS WITHOUT THE EXPRESS WRITTEN CONSENT OF LEGRAND | AV.

CAD GENERATED DRAWING, DO NOT MANUALLY UPDATE.					6436 CITY WEST PKWY EDEN PRAIRIE, MN, 55344 PHONE: 866-977-3901 FAX: 877-894-6918	
DRAWN BY	MM	9/9/2021	DESCRIPTION			
ENG APPROVAL			U-PANEL S & BARCO XT, LED MOUNT, 5-HIGH			
MFG APPROVAL			MODEL NO.			
QA APPROVAL			TIL1X5UU			
SHEET 3 OF 3		SCALE	SIZE	DWG. NO.	REV.	
		1:10	B	TECH-001192		