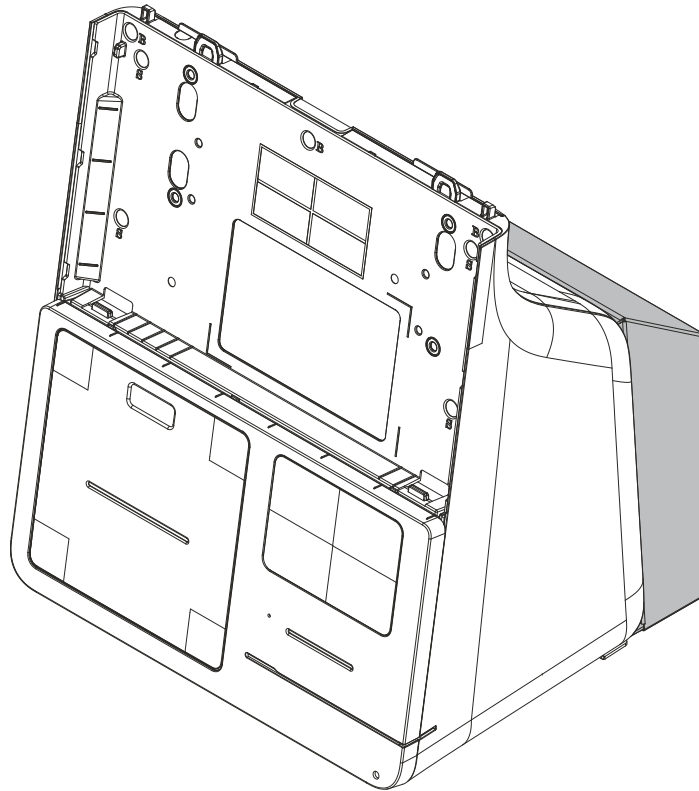

INSTALLATION INSTRUCTIONS



Kiosk Wall Mount

DISCLAIMER

Legrand | AV and its affiliated corporations and subsidiaries (collectively "Legrand | AV"), intend to make this manual accurate and complete. However, Legrand | AV makes no claim that the information contained herein covers all details, conditions or variations, nor does it provide for every possible contingency in connection with the installation or use of this product. The information contained in this document is subject to change without notice or obligation of any kind. Legrand | AV makes no representation of warranty, expressed or implied, regarding the information contained herein. Legrand | AV assumes no responsibility for accuracy, completeness or sufficiency of the information contained in this document.

Chief® is a registered trademark of Legrand AV Inc.

DEFINITIONS

MOUNTING SYSTEM: A MOUNTING SYSTEM is the primary Chief product to which an accessory and/or component is attached.

ACCESSORY: AN ACCESSORY is the secondary Chief product which is attached to a primary Chief product, and may have a component attached or setting on it.

COMPONENT: A COMPONENT is an audiovisual item designed to be attached or resting on an accessory or mounting system such as a video camera, CPU, screen, display, projector, etc.



WARNING: A WARNING alerts you to the possibility of serious injury or death if you do not follow the instructions.



CAUTION: A CAUTION alerts you to the possibility of damage or destruction of equipment if you do not follow the corresponding instructions.



IMPORTANT SAFETY INSTRUCTIONS



WARNING: Failure to read, thoroughly understand, and follow all instructions can result in serious personal injury, damage to equipment, or voiding of factory warranty! It is the installer's responsibility to make sure all mounting systems are properly assembled and installed using the instructions provided.



WARNING: Failure to provide adequate structural strength for this mounting system / accessory can result in serious personal injury or damage to equipment! It is the installer's responsibility to make sure the structure to which this mounting system is attached can support five times the combined weight of all equipment. Reinforce the structure as required before installing the mounting system. The wall to which the mounting system is being attached may have a maximum drywall thickness of 5/8" (1.6cm). Do not install drywall anchors into the seam between drywall pieces.



WARNING: Exceeding the weight capacity can result in serious personal injury or damage to equipment! It is the installer's responsibility to make sure the combined weight of all components attached to mounting system does not exceed 40 lbs (18.14 kg).



WARNING: Use this mounting system only for its intended use as described in these instructions. Do not use attachments not recommended by the manufacturer.



WARNING: Never operate this mounting system if it is damaged. Return the mounting system to a service center for examination and repair.



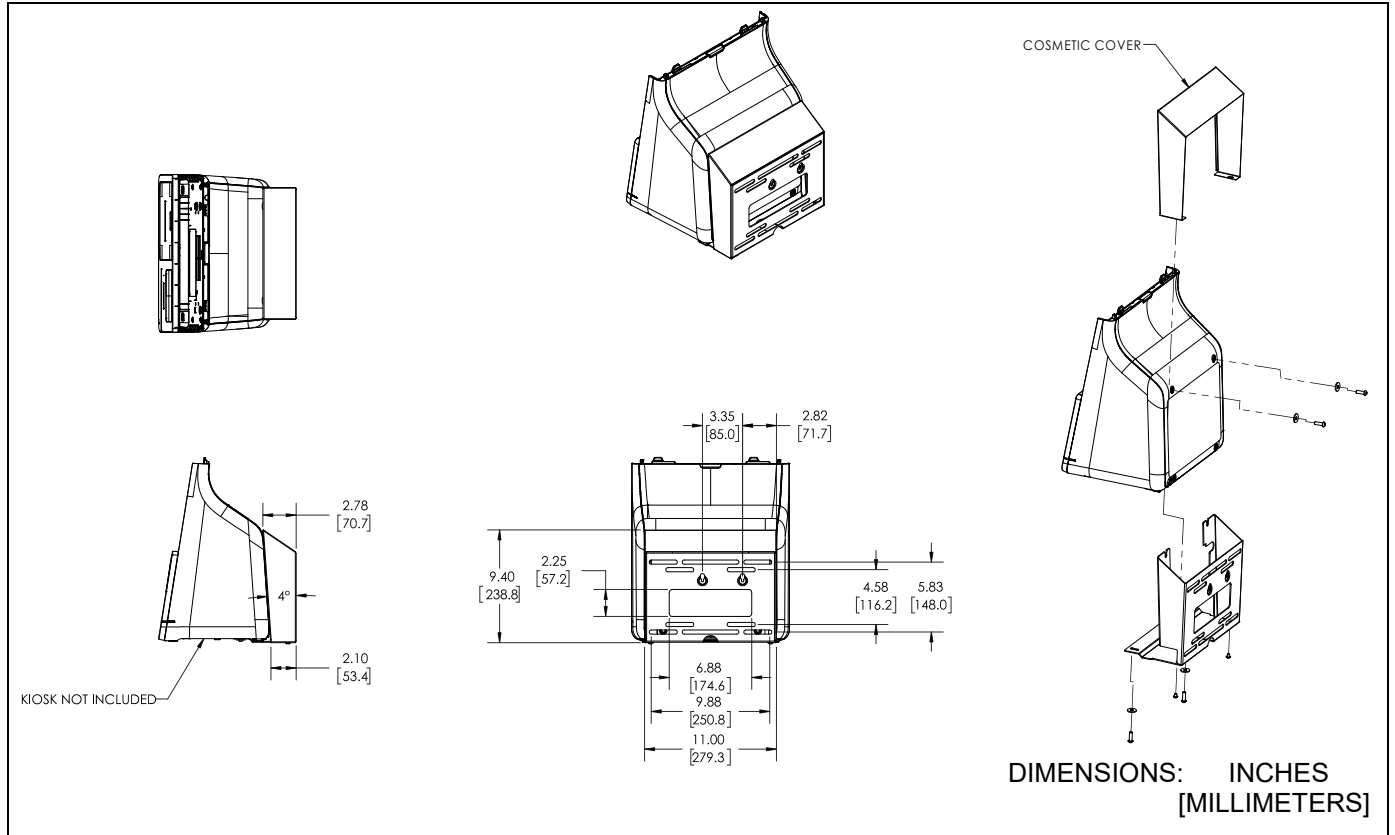
WARNING: Do not use this mounting system outdoors.

IMPORTANT ! : The SKM24AW mounting system is designed to be mounted to a:

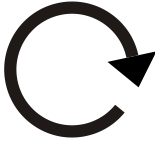

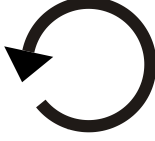


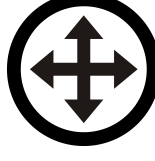






- drywall wall;
- 8" concrete or 8"x8"x16" concrete block wall;
- 2" x 4" wood studs (16" on center) wall; or
- 2" x 4"-25ga minimum steel studs wall.

--SAVE THESE INSTRUCTIONS--

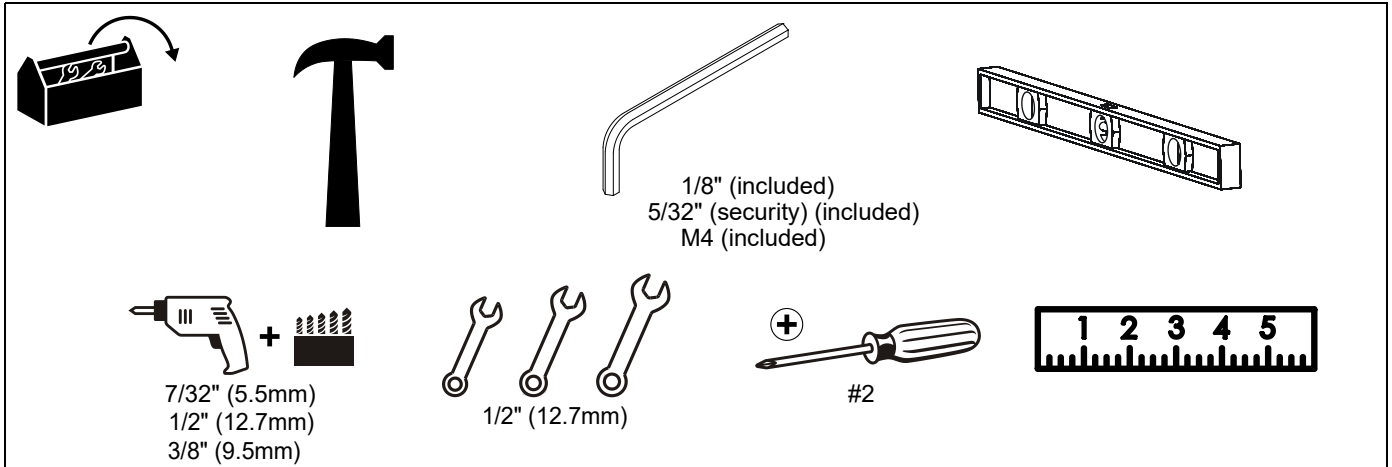
DIMENSIONS



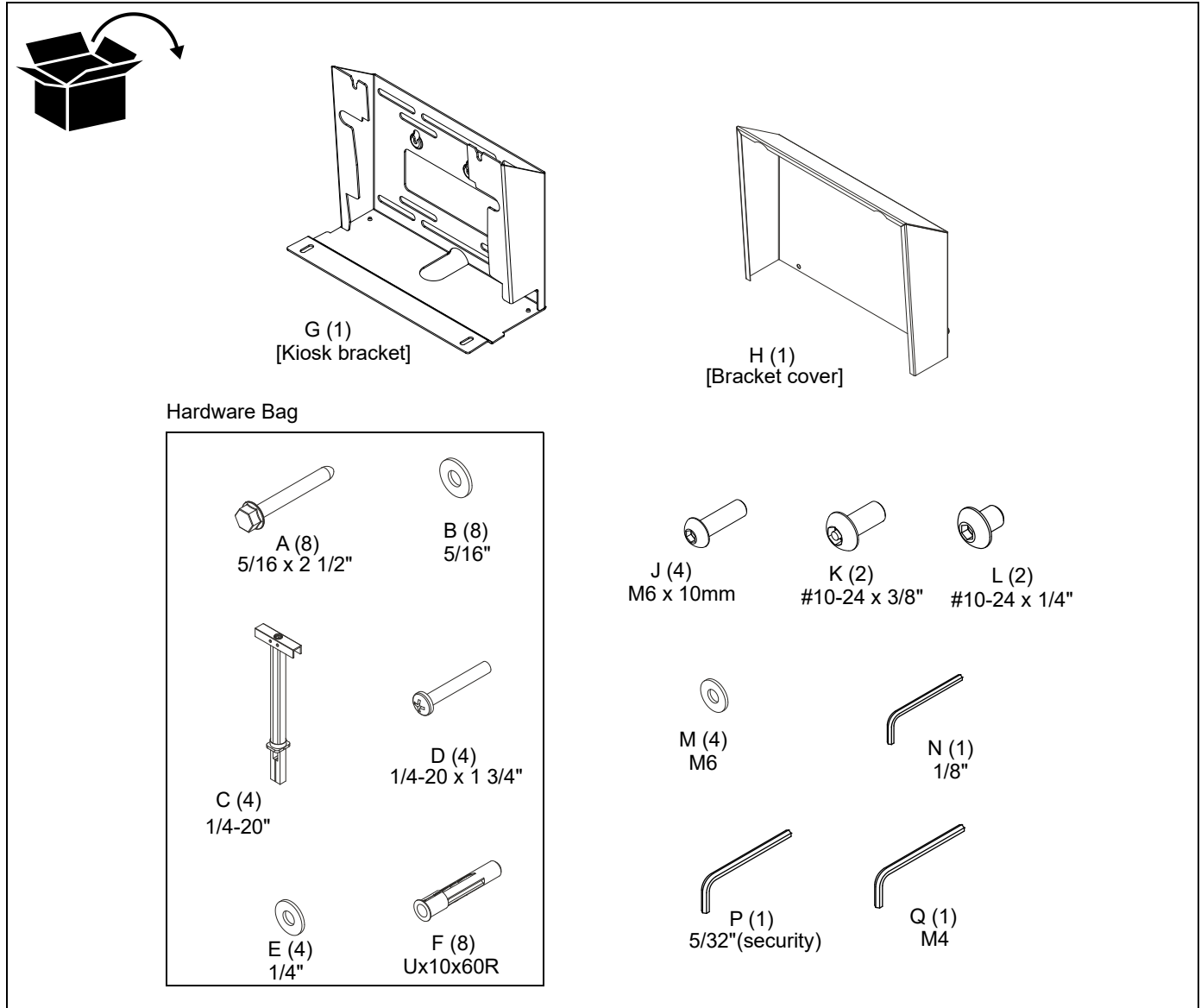
LEGEND

	Tighten Fastener Apretar elemento de fijación Befestigungsteil festziehen Apertar fixador Serrare il fissaggio Bevestiging vastdraaien Serrez les fixations		Pencil Mark Marcar con lápiz Stiftmarkierung Marcar com lápis Segno a matita Potloodmerkteken Marquage au crayon
	Loosen Fastener Aflojar elemento de fijación Befestigungsteil lösen Desapertar fixador Allentare il fissaggio Bevestiging losdraaien Desserrez les fixations		Drill Hole Perforar Bohrloch Fazer furo Praticare un foro Gat boren Percez un trou
	Phillips Screwdriver Destornillador Phillips Kreuzschlitzschraubendreher Chave de fendas Phillips Cacciavite a stella Kruiskopschroevendraaier Tournevis à pointe cruciforme		Adjust Ajustar Einstellen Ajustar Regolare Afstellen Ajuster
	Open-Ended Wrench Llave de boca Gabelschlüssel Chave de bocas Chiave a punte aperte Steeksleutel Clé à fourche		Remove Quitar Entfernen Remover Rimuovere Verwijderen Retirez
	By Hand A mano Von Hand Com a mão A mano Met de hand À la main		Optional Opcional Optional Opcional Opzionale Optie En option
	Hex-Head Wrench Llave de cabeza hexagonal Sechskantschlüssel Chave de cabeça sextavada Chiave esagonale Zeskantsleutel Clé à tête hexagonale		Security Wrench Llave de seguridad Sicherheitsschlüssel Chave de segurança Chiave di sicurezza Veiligheidssleutel Clé de sécurité

TOOLS REQUIRED FOR INSTALLATION



PARTS



Assembly And Installation

IMPORTANT ! : The SKM24AW mounting system is designed to be mounted to an:

- 1/2" drywall wall
- 8" concrete or 8"x8"x16" concrete block wall;
- 2" x 4" wood studs (16" on center) wall; or
- 2" x 4"-25ga minimum steel studs wall.

Installing Kiosk Bracket to Drywall only or Drywall/Steel Stud

NOTE: If installing to a steel stud wall, position mount so that one set of mounting holes lines up over steel stud.

1. Hold kiosk bracket (G) up to wall at desired mounting location. Use a level to make sure the bracket is level. (See Figure 1)
2. Mark hole locations on wall. If mounting to steel stud, make sure one set of holes is located over middle of steel stud. (See Figure 1)
3. Drill 1/2" pilot holes at hole locations. (See Figure 1)

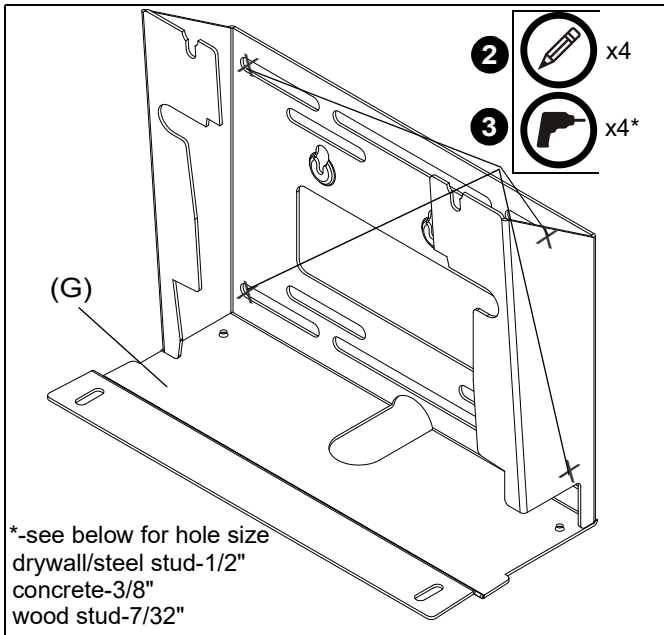


Figure 1

4. Hold metal channel on anchor (C) flat alongside plastic straps and slide channel through hole. (See Figure 2)

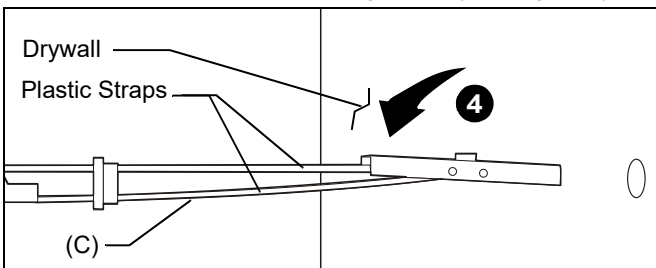


Figure 2

5. Holding plastic straps on anchor (C), pull anchor away from wall until channel rests flush behind wall making sure anchor channel is positioned vertically on stud. (See Figure 3)

6. Slide plastic cap on anchor (C) towards wall until flange of cap is flush with wall. (See Figure 3)

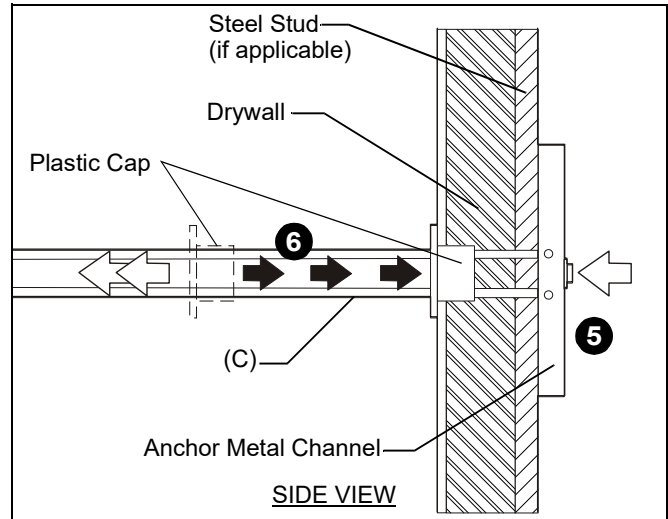


Figure 3

7. Snap off plastic straps on anchor at wall by pushing side to side, snapping off straps level with flange of plastic cap. (See Figure 4)

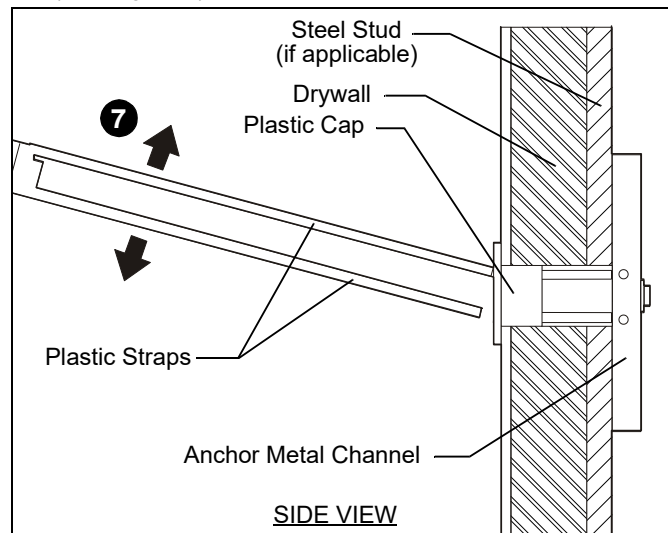


Figure 4

- Use four 1/4-20 x 1 3/4" Phillips pan machine screws (D) and 1/4" washers (E) to secure kiosk bracket (G) to wall. (See Figure 8)

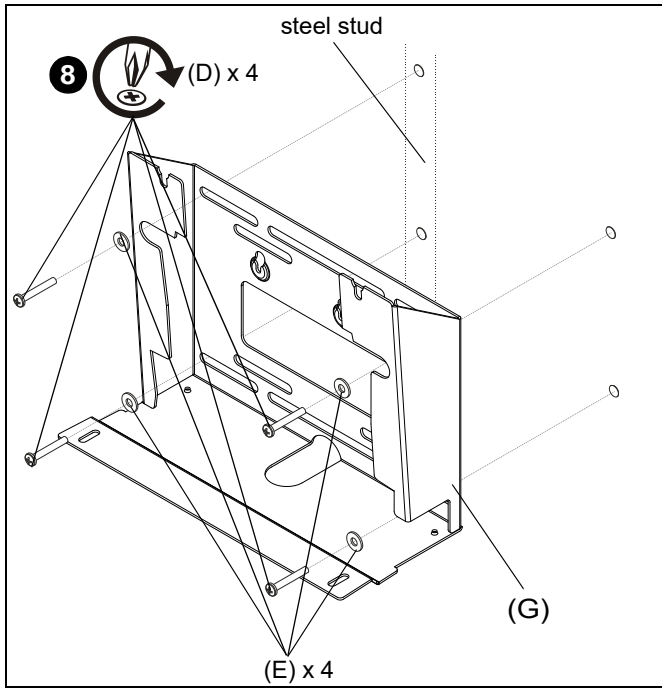


Figure 5

Installing Kiosk Bracket to Concrete

- Hold kiosk bracket (G) up to wall at desired mounting location. Use a level to make sure the bracket is level. (See Figure 1)
- Mark hole locations on wall. (See Figure 1)
- Drill 3/8" pilot holes with a depth of 3 1/4" at hole locations. (See Figure 1)
- Install Ux10x60R anchors (F) into drilled holes (See Figure 6)
- Use four 5/16 x 2 1/2" hex head lag screws (A) and 5/16" washers (B) to secure kiosk bracket (G) to wall. (See Figure 6)

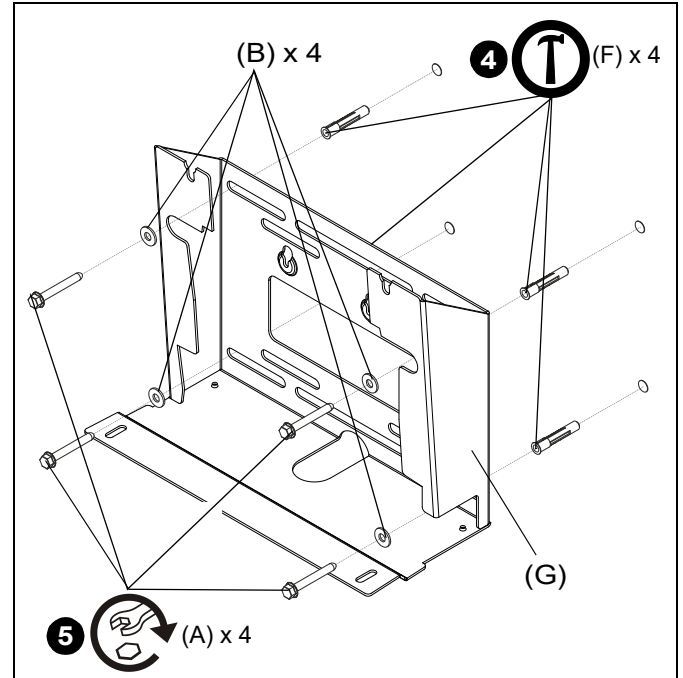


Figure 6

Installing Kiosk Bracket to Wood Stud/ Drywall

- Hold kiosk bracket (G) up to wall at desired mounting location with one mounting location centered over a single wood stud. Use a stud finder to locate wood stud and use a level to make sure the bracket is level. (See Figure 1)
- Mark hole locations on wall. (See Figure 1)
- Drill 1/2" pilot holes at hole locations NOT on wood stud. Drill 7/32" pilot holes at hole locations ON wood stud. (See Figure 1)

NOTE: Follow Steps 4-7 for holes NOT located over wood stud.

- Hold metal channel on anchor (C) flat alongside plastic straps and slide channel through hole. (See Figure 7)

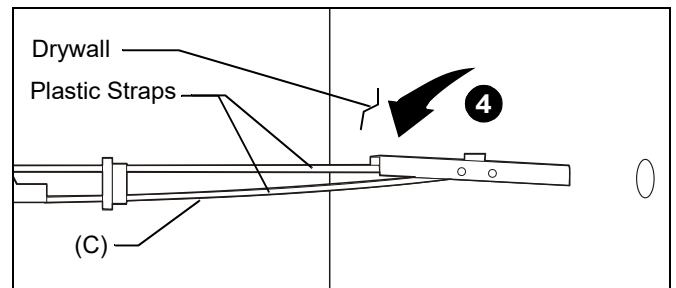


Figure 7

5. Holding plastic straps on anchor (C), pull anchor away from wall until channel rests flush behind wall making sure anchor channel is positioned vertically on stud. (See Figure 8)
6. Slide plastic cap on anchor (C) towards wall until flange of cap is flush with wall. (See Figure 8)

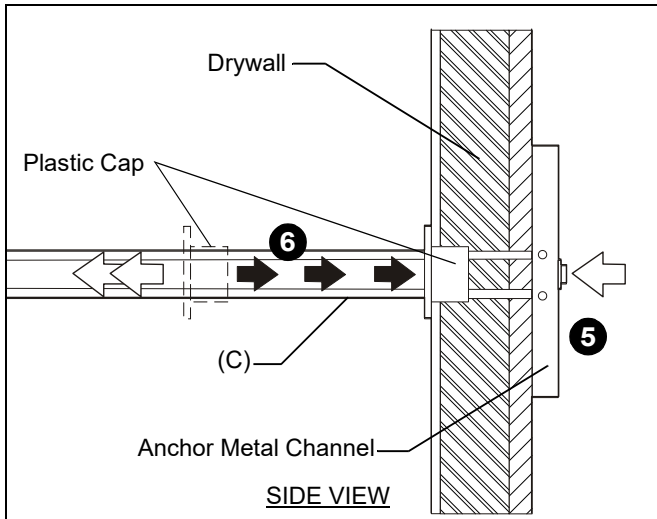


Figure 8

7. Snap off plastic straps on anchor at wall by pushing side to side, snapping off straps level with flange of plastic cap. (See Figure 9)

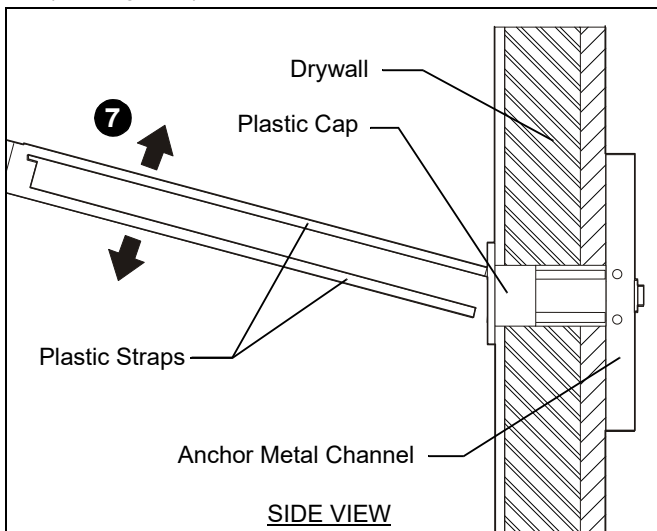


Figure 9

8. Use two 5/16 x 2 1/2" hex head lag screws (A) and 5/16" washers (B) to secure kiosk bracket (G) to wall over wood stud. (See Figure 10)
9. Use two 1/4-20 x 1 3/4" Phillips pan machine (D) screws and 1/4" washer (E) to secure kiosk bracket (G) to wall on drywall location. (See Figure 10)

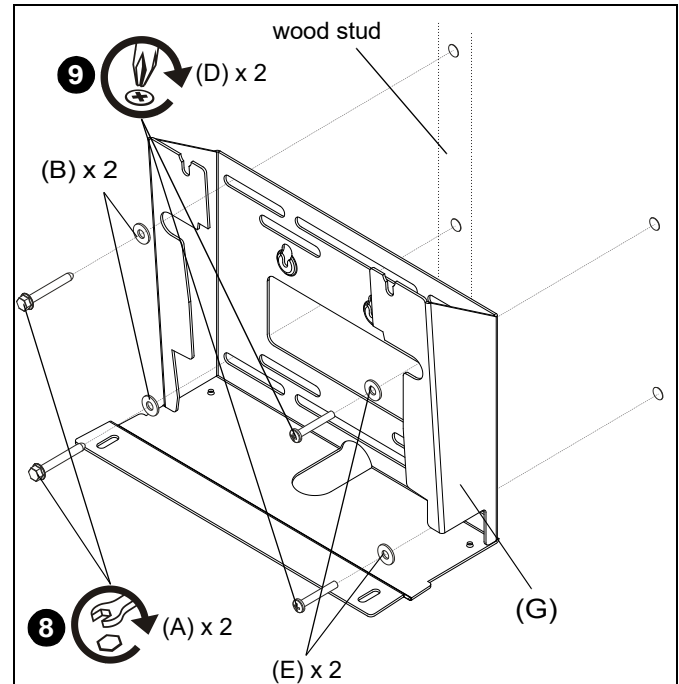


Figure 10

Installing Kiosk to Kiosk Bracket

1. Loosely install two M6 x 10mm button head cap screws (J) through M6 washers (M) and into top holes on back of kiosk (not included). (See Figure 11)
2. Install kiosk to kiosk bracket (G) by inserting screws installed in Step 1 into top grooves on bracket. (See Figure 11)
3. Tighten screws to secure kiosk to bracket (G).

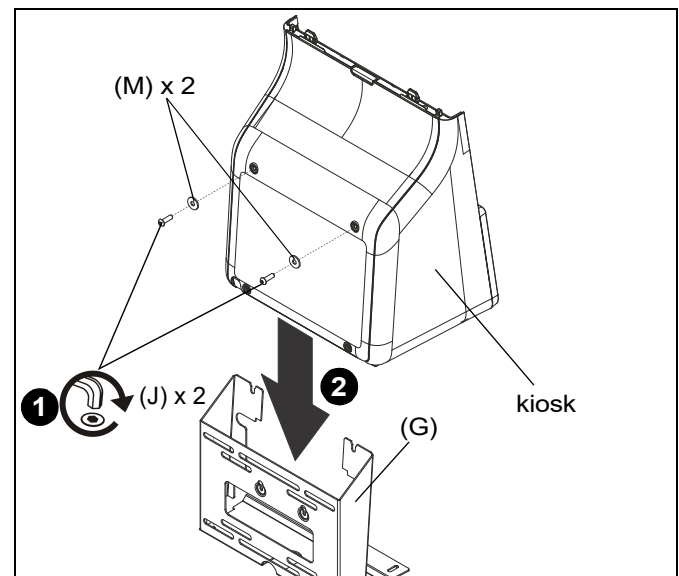


Figure 11

4. Install two M6 x 10mm button head cap screws (J) through two M6 washers (M) and into bottom holes on kiosk bracket (G). (See Figure 12)

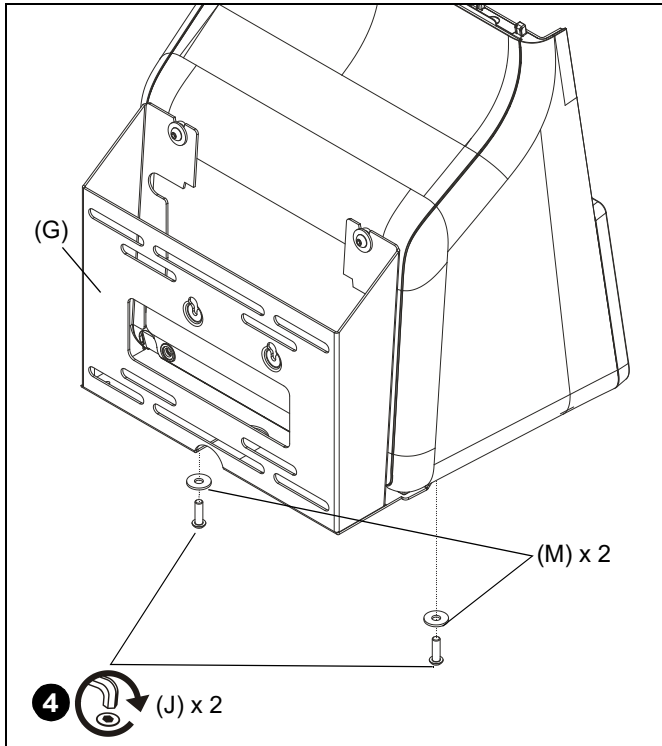


Figure 12

5. Install bracket cover (H) over kiosk bracket (G). (See Figure 13)

NOTE: Cover (H) will need to be flexed outward in order to fit over bracket.

6. Use two #10-24 x 3/8" button head cap screws (K) or two #10-24 x 1/4" security screws (L) to secure cover to kiosk bracket (G). (See Figure 13)

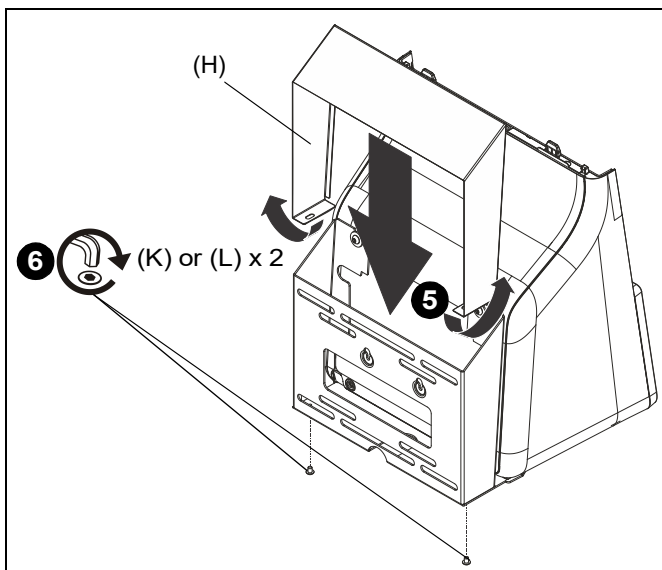


Figure 13

Device Storage

NOTE: The SKM24AW can store any type of that fits in the kiosk bracket and does not exceed the weight limit when combined with the weight of the kiosk and display. The slots are designed specifically for installing Intel NUC™ devices. The following steps apply to installing a NUC™ device.

1. Install two NUC™ screws (not included) into back of NUC™ (not included). (See Figure 14)
2. Hang NUC™ screws into keyholes on back of kiosk bracket. (See Figure 14)

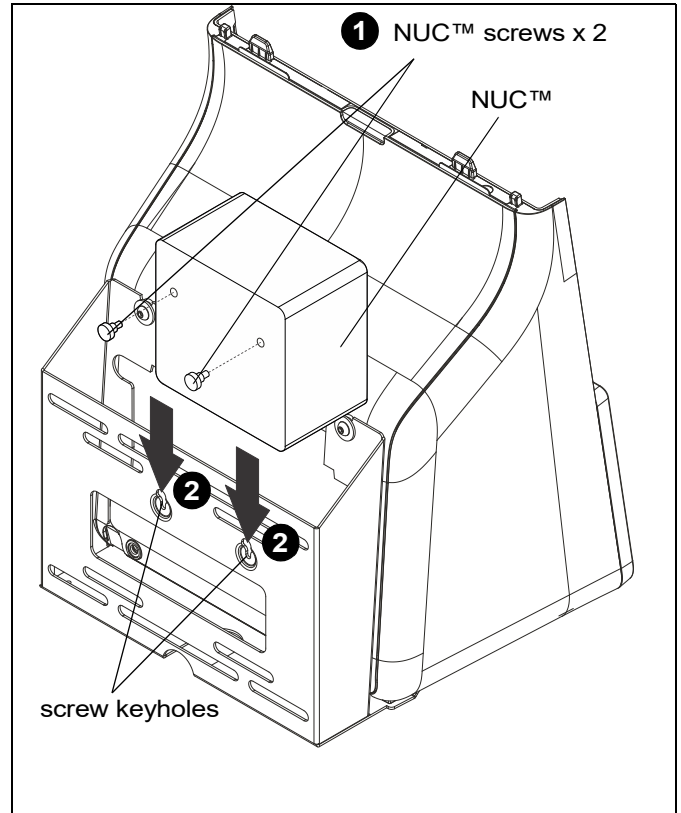


Figure 14



A brand of  **legrand**[®]

8800-003358 Rev00
©2022 Legrand | AV
www.legrandav.com
05/2022

USA/International	A 6436 City West Parkway, Eden Prairie, MN 55344 P 800.582.6480 / 952.225.6000 F 877.894.6918 / 952.894.6918
Europe	A Franklinstraat 14, 6003 DK Weert, Netherlands P +31 (0) 495 580 852 F +31 (0) 495 580 845
Asia Pacific	A Office No. 918 on 9/F, Shatin Galleria 18-24 Shan Mei Street Fotan, Shatin, Hong Kong P 852 2145 4099 F 852 2145 4477

