

# INSTALLATION INSTRUCTIONS

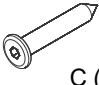
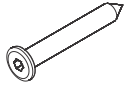


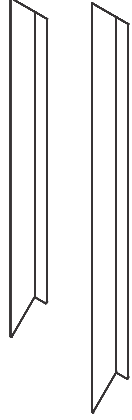

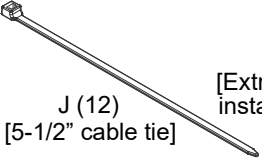




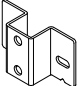

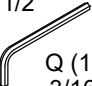
## TA500 Hardware Kits

The TA500HWKITx hardware kits are designed for use with Chief Series TA500. See the specific instructions provided with the mount for additional installation information.

**NOTE:** Unpack carton and verify kit contents. If any listed parts are missing, immediately contact a Chief Customer Service representative.



**WARNING: IMPROPER INSTALLATION CAN LEAD TO EQUIPMENT FALLING CAUSING SERIOUS PERSONAL INJURY AND DAMAGE TO EQUIPMENT! DO NOT substitute hardware. Use only hardware supplied by manufacturer!**

<p><b>TA500HWKIT1</b></p>  <p>C (12) M7 x 40mm</p>  <p>D (4) M7 x 50mm</p>  <p>B (4) [Mounting spacers]</p>  <p>E (1) M4 [Allen driver bit]</p>	<p><b>TA500HWKIT3</b></p>  <p>F (4 - 2 long, 2 short) [Trim pieces]</p>  <p>H (4) [Cable tie mounts]</p>  <p>J (12) [5-1/2" cable tie]</p>  <p>G (6) 08 x 1/2" [Extras if needed for installing electrical box]</p>  <p>K (16) [Tape squares]</p>  <p>L (4) [9/16"]</p>  <p>M (4) 5/16-18 X 1/2"</p>
<p>NOTE: letters match up with TA500 installation instructions</p>	<p><b>TA500HWKIT2</b></p>  <p>N (4) [Attach bracket]</p>  <p>P (8) 5/16-18 X 1/2"</p>  <p>Q (1) 3/16"</p>

## Installation Instructions



**WARNING: OVER TIGHTENING OF SCREWS CAN DAMAGE PARTS AND CAN LEAD TO SERIOUS PERSONAL INJURY AND DAMAGE TO EQUIPMENT! DO NOT over tighten screws when installing interface brackets.**

1. Use hardware from kits as shown in TA500 installation instructions.

Chief® is a registered trademark of Legrand AV Inc.



Legrand | AV and its affiliated corporations and subsidiaries (collectively "Legrand | AV"), intend to make this manual accurate and complete. However, Legrand | AV makes no claim that the information contained herein covers all details, conditions or variations, nor does it provide for every possible contingency in connection with the installation or use of this product. The information contained in this document is subject to change without notice or obligation of any kind. Legrand | AV makes no representation of warranty, expressed or implied, regarding the information contained herein. Legrand | AV assumes no responsibility for accuracy, completeness or sufficiency of the information contained in this document.



A brand of  Legrand

Chief, a brand of Legrand  
6436 City West Parkway, Eden Prairie, MN 55344

• P: 800.582.6480 / 952.225.6000 • F: 877.894.6918 / 952.894.6918

8800-003242 Rev00

©2020 Legrand | AV

[www.legrandav.com](http://www.legrandav.com)

09/2020