

WL40S-950BL18

NEOMOUNTS HEAVY DUTY TV WALL MOUNT

SPECIFICATIONS

GENERAL

Min. screen size*	55 inch
Max. screen size*	110 inch
Max. weight	125 kg (per screen)
Screens	1
VESA minimum	300x200
VESA maximum	800x600
Distance to wall	8,2-70,3 cm

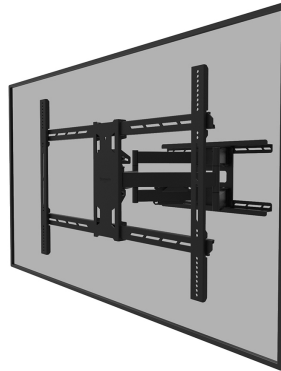
FUNCTIONALITY

Type	Full motion
Height adjustment	0-1 cm
Lockable	Not lockable
Tilt (degrees)	+15°, -5°
Swivel (degrees)	+45°, -45°
Rotate (degrees)	+3°, -3°
Height	63 cm
Width	88 cm
Depth	8,2 cm

INFORMATION

Color	Black
Main material	Steel
Warranty	5 year
EAN code	8717371449575

*Please note: The inch sizes stated are just an indication, combined with the weight and VESA sizes. The maximum weight and VESA size are absolute restrictions for the products and should not be exceeded.



Neomounts



Neomounts

Neomounts WL40S-950BL18 full motion wall mount for 55-110" screens - Black

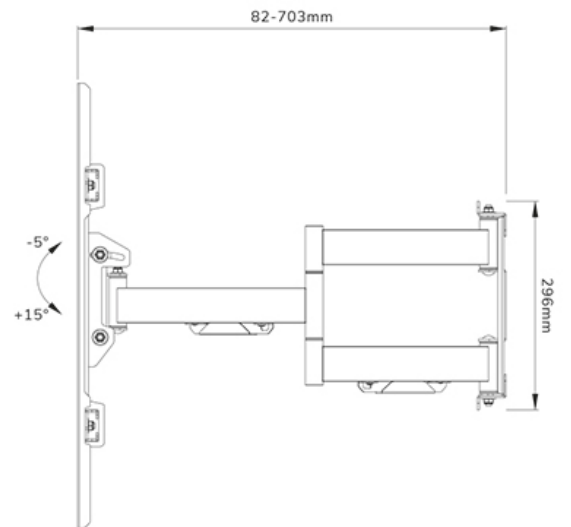
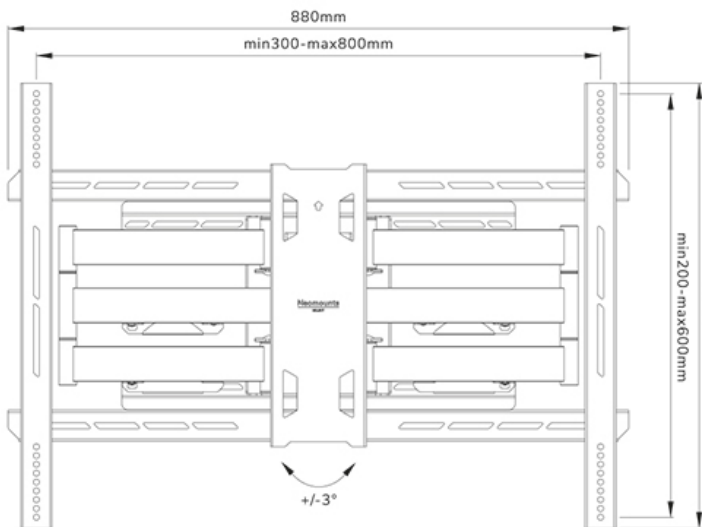
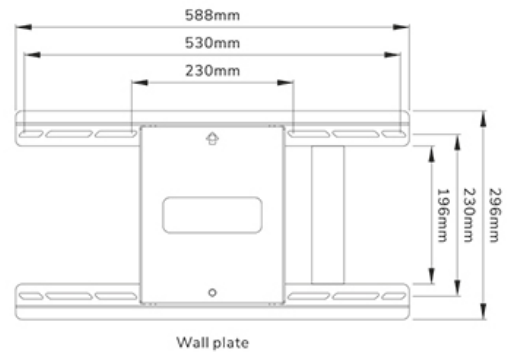
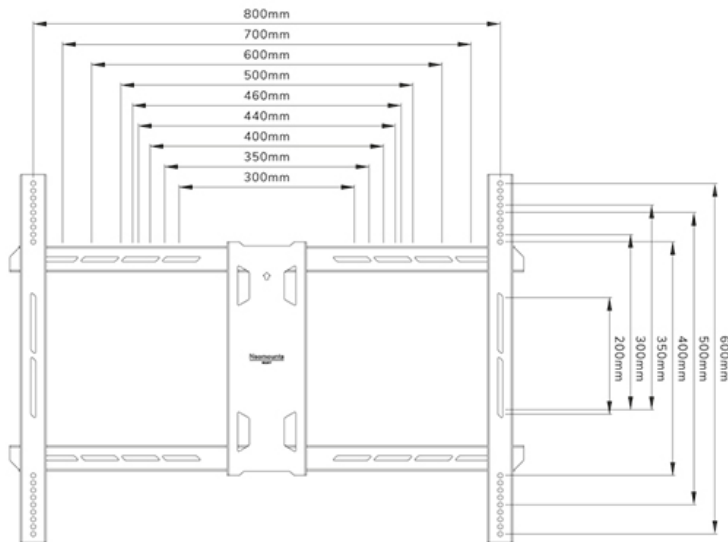
The Neomounts WL40S-950BL18 is a full motion heavy-duty wall mount for flat screens up to 110" with a maximum weight capacity of 125 kg. The versatile tilt (20°) and swivel (90°) technology allows you to create the optimum viewing angle. Level adjustment is available for the perfect installation.

The WL40S-950BL18 has a depth of 8,2-70 cm and is suitable for screens that meet VESA hole pattern 300x200 to 800x600 mm. For extra-large VESA patterns (800x600 to 1200x900), the optional VESA adapter set AWLS-950BL1 is available.

The mount features a nifty Easy-release system, that allows you to attach the TV in a wink of an eye. To ensure easy installation, the wall mount is packed pre-assembled and a separate spirit level tool, as well as a fixing template, is included with the wall mount. The mount is equipped with high quality steel cable management to secure any loose cables at the back of the screen.

WL40S-950BL18

NEOMOUNTS HEAVY DUTY TV WALL MOUNT



Neomounts