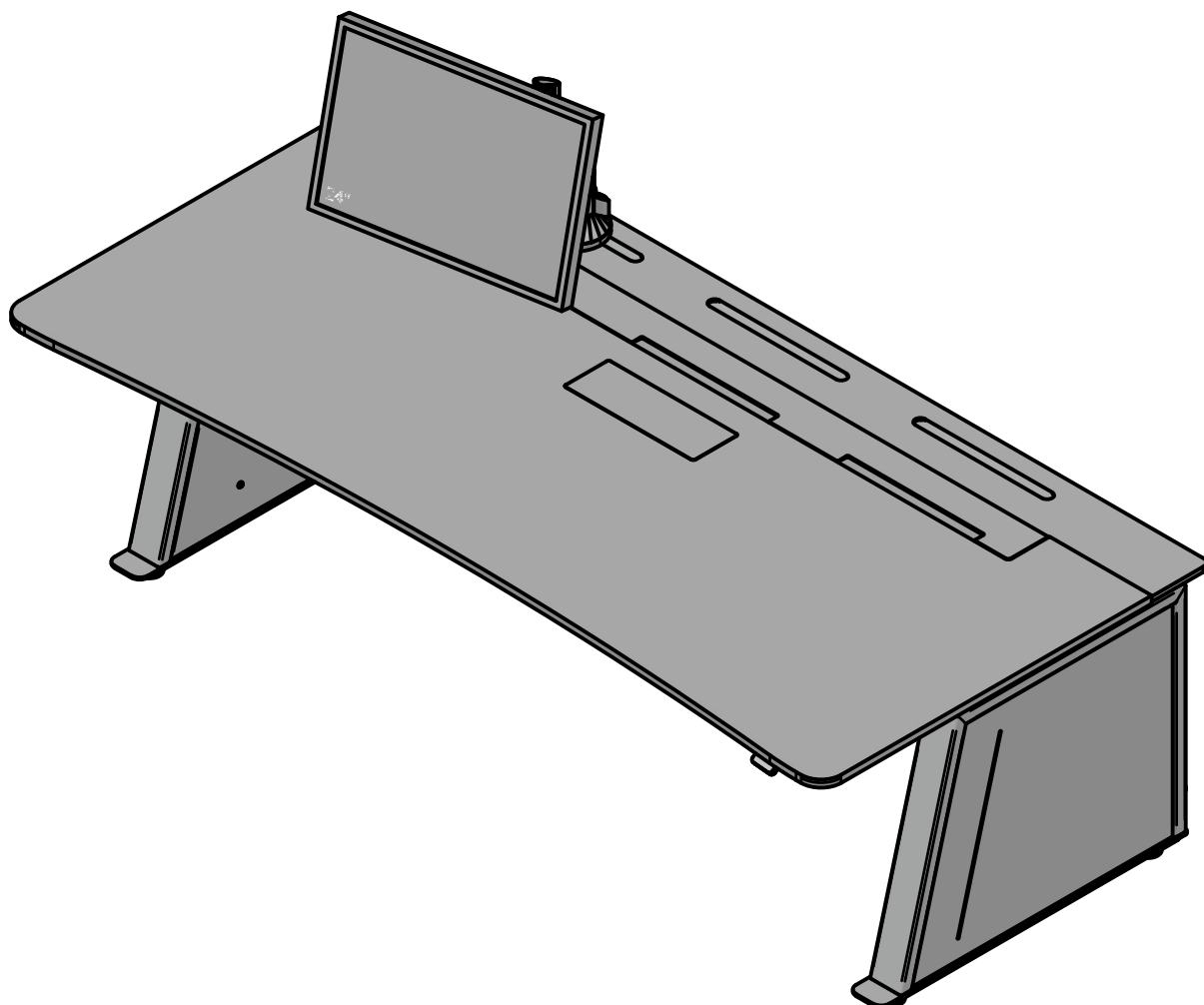
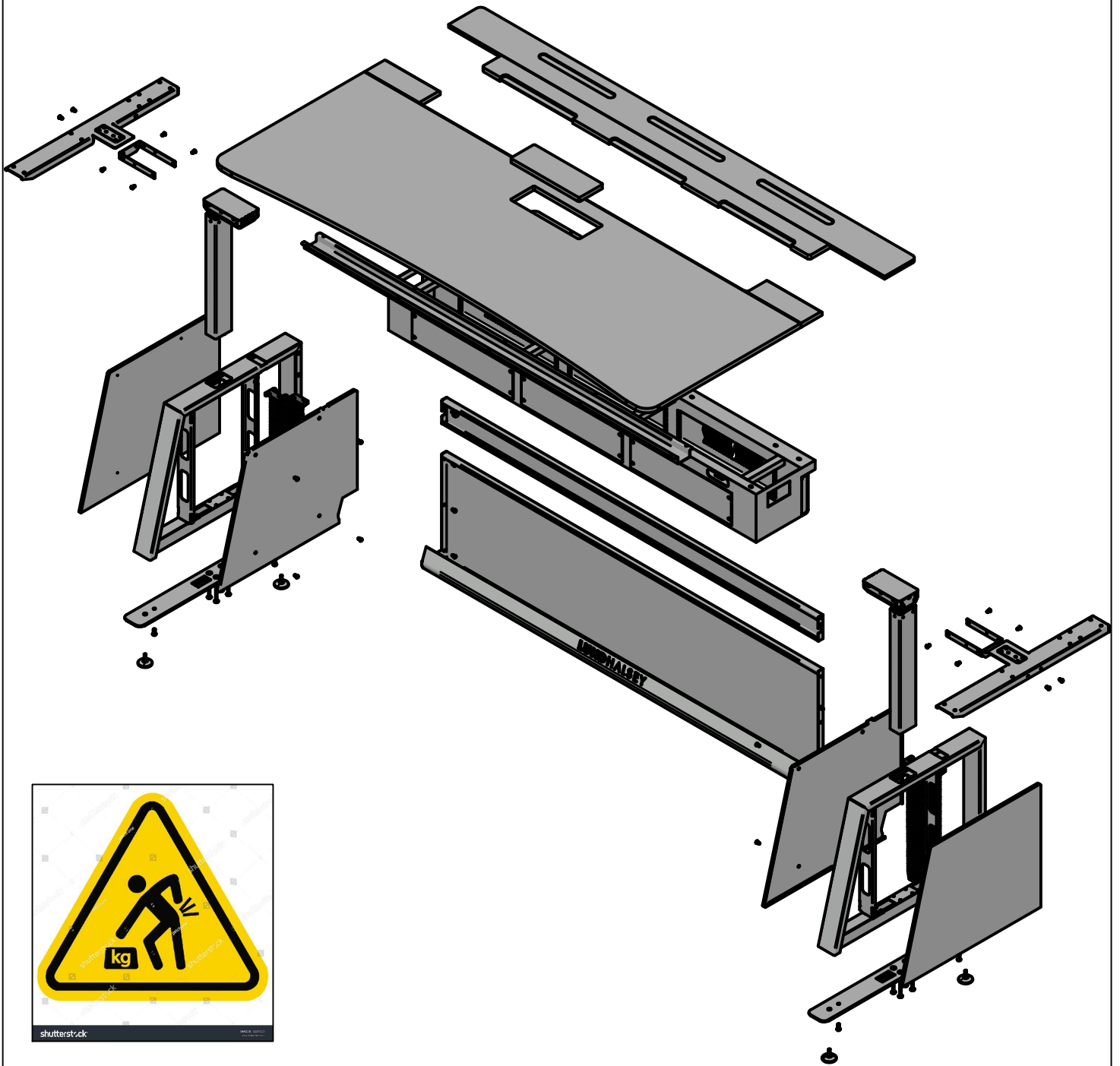


**LUNDHALSEY**

**VISIONLINE.** Assembly instructions





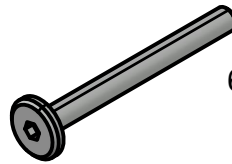
**Warning! Heavy items require at least 2 people to lift.**

To prevent scratches where necessary place parts onto a soft, clean surface and do not slide parts

## Fixing kit



Adjustable feet x4



60mm Flat allen head fixing x8



Cable caps x2



25mm M8 button head fixing x 6



15mm M8 Nylon washers x2



10mm M6 button head fixings x 97



4x10mm screws x 8



20mm M6 pozi drive fixings x 4



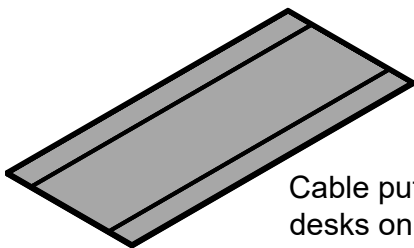
M6 Thumbscrew x 2



M6 washers x 21

Fixing kit supplied for largest style desk. There may be some fixings left over.

## Fixings for height adjustable desks.



Cable putty x1 (used on HA desks only)

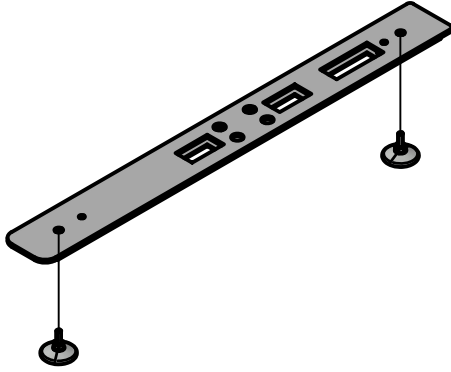


M4 23mm Flange head fixing x 2



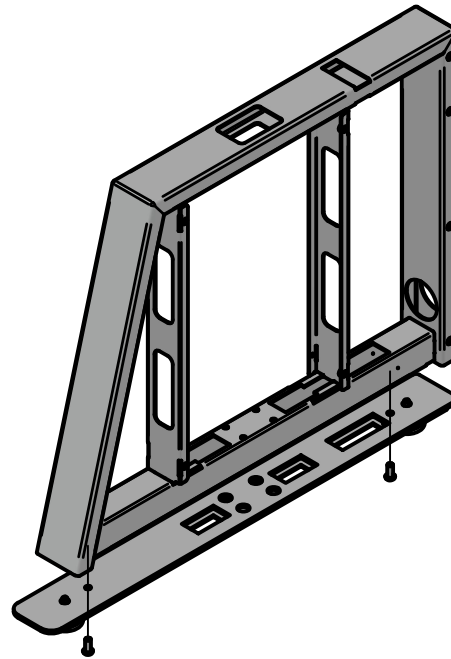
40mm M6 allen head fixing x 2

1



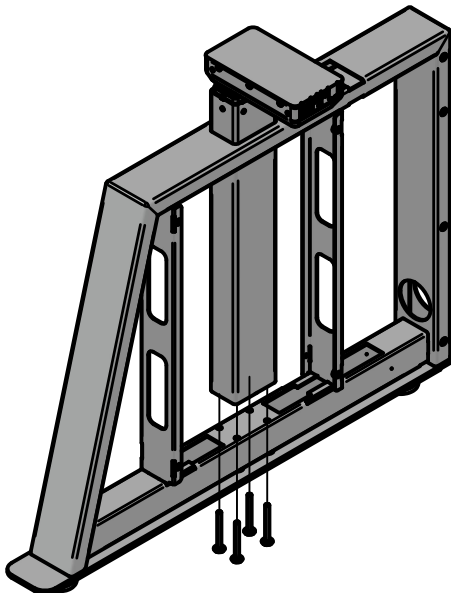
Fit adjustable feet to foot plate

2



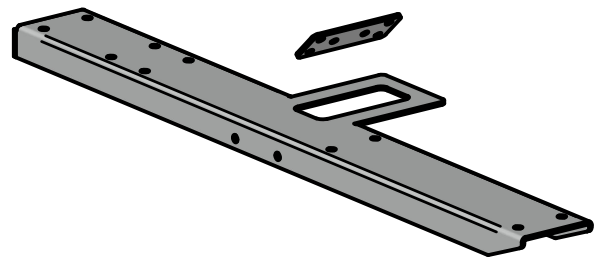
Fit foot plate to leg frame with 25mm M8 button head fixings.

3



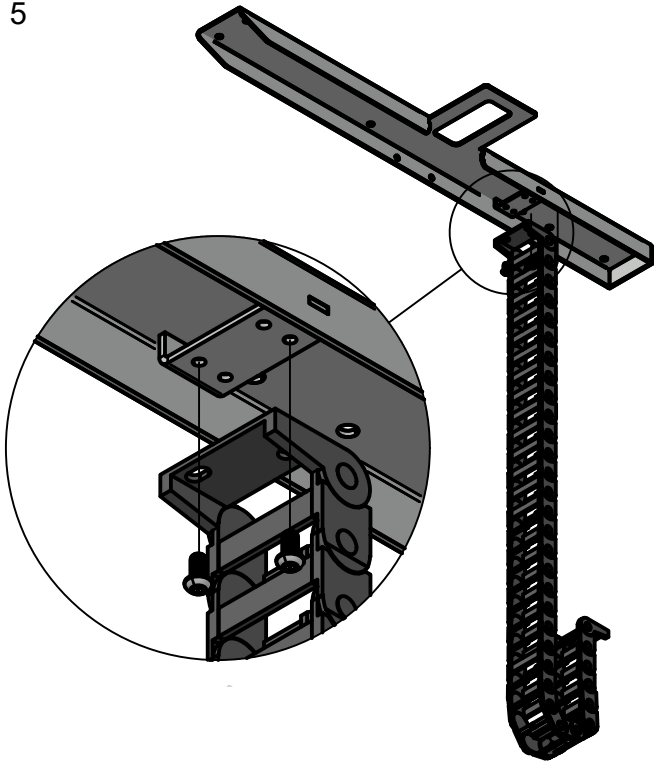
Fit Actuator through top of leg assembly and fix using 60mm flat Allen head fixing.

4



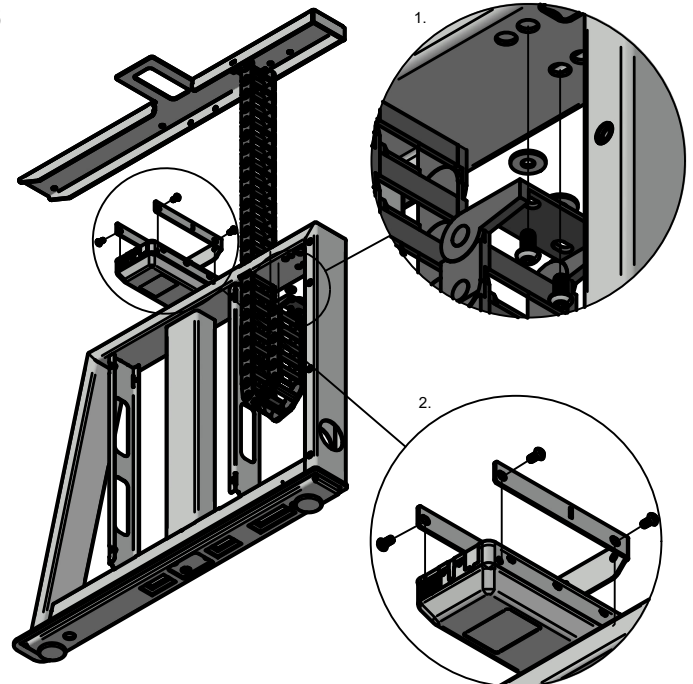
Remove bracket from T plate (see stage 12)

5



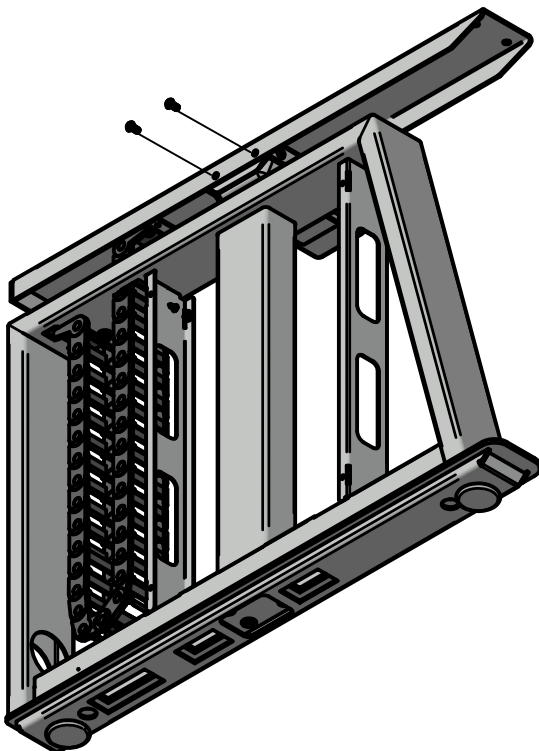
Fit energy chain to T plate using 10mm M6 button head fixings.

6



1. Feed energy chain into leg assembly and fix using 10mm M6 button head fixings and m6 washers
2. Fit bracket to actuator using 10mm M6 button head fixings.

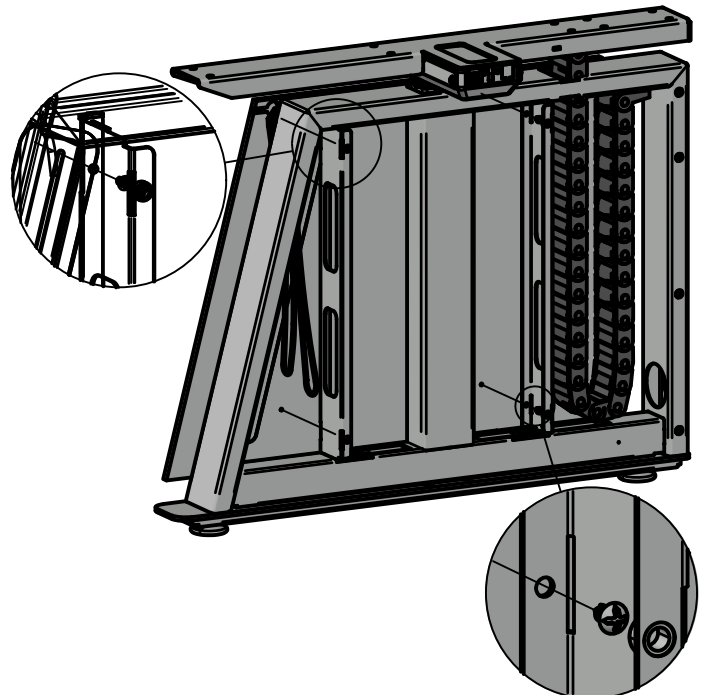
7



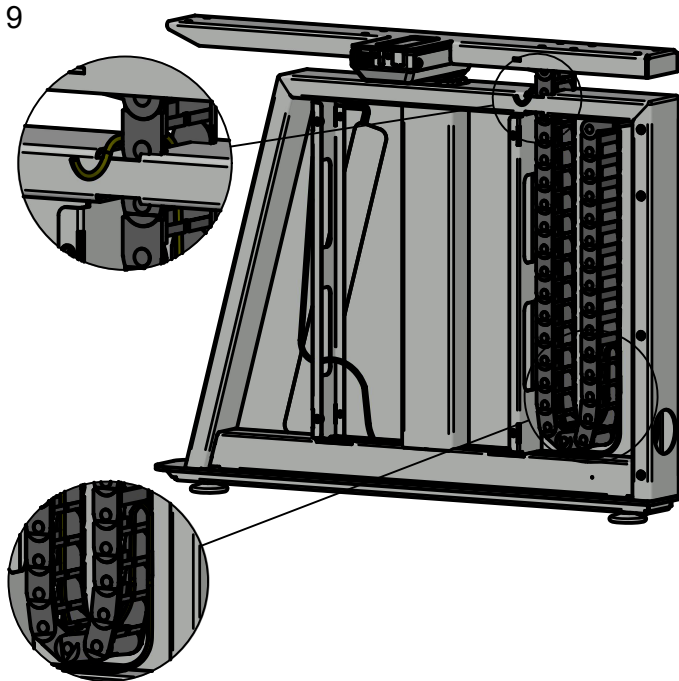
Fit T plate to bracket fitted to actuator using 10mm M6 button head fixings.

8

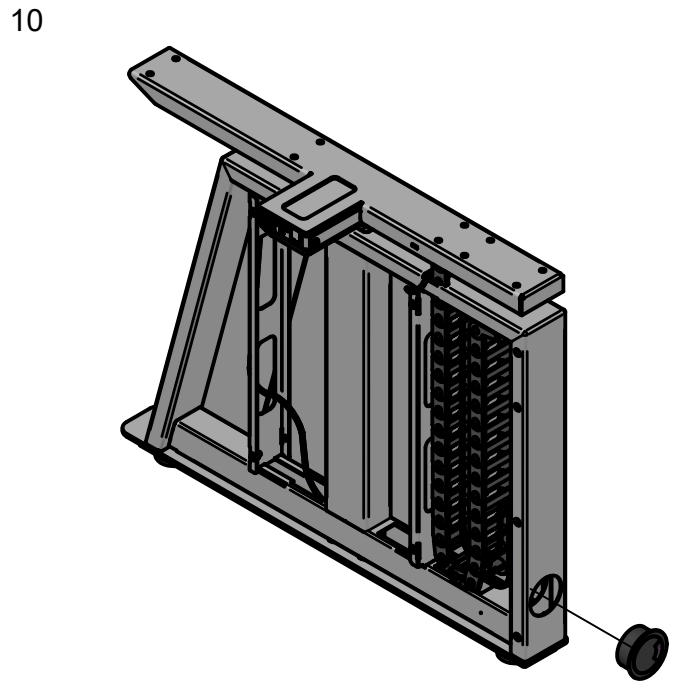
To prevent scratches place gloss panel onto a soft, clean surface and do not slide parts



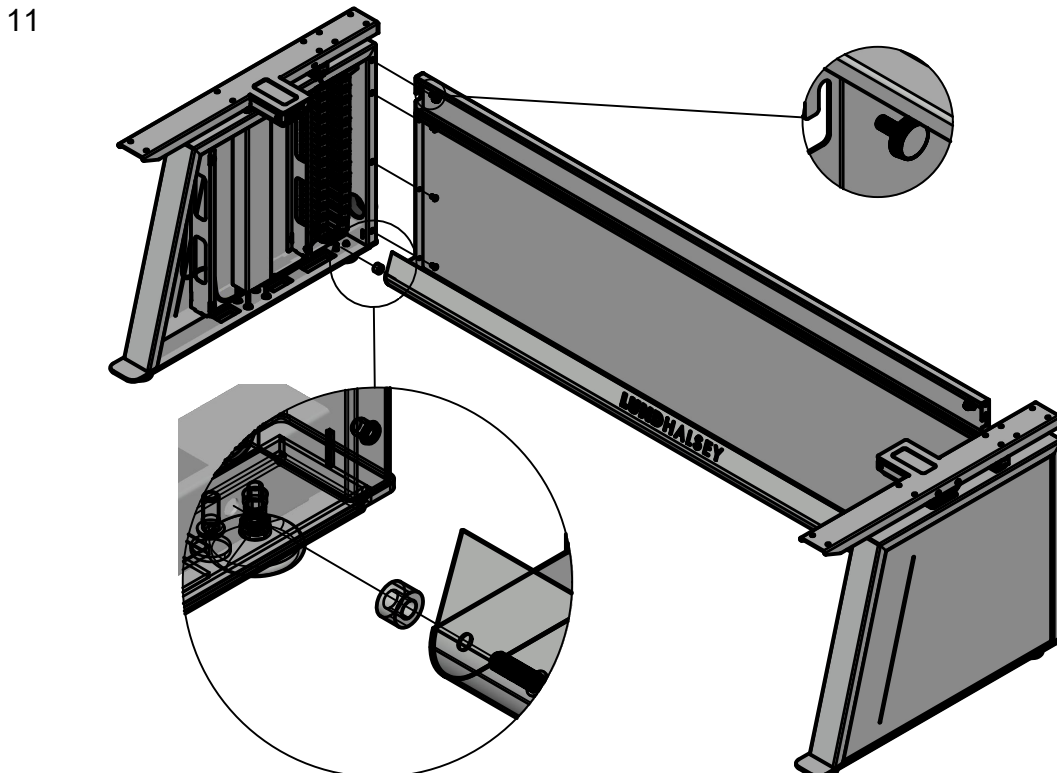
Fix outer panel to leg assembly with 4x10mm x4.



Feed cables all the way through leg frame, into the energy chain and out the top of the leg. see page 12 for further cable routing examples.



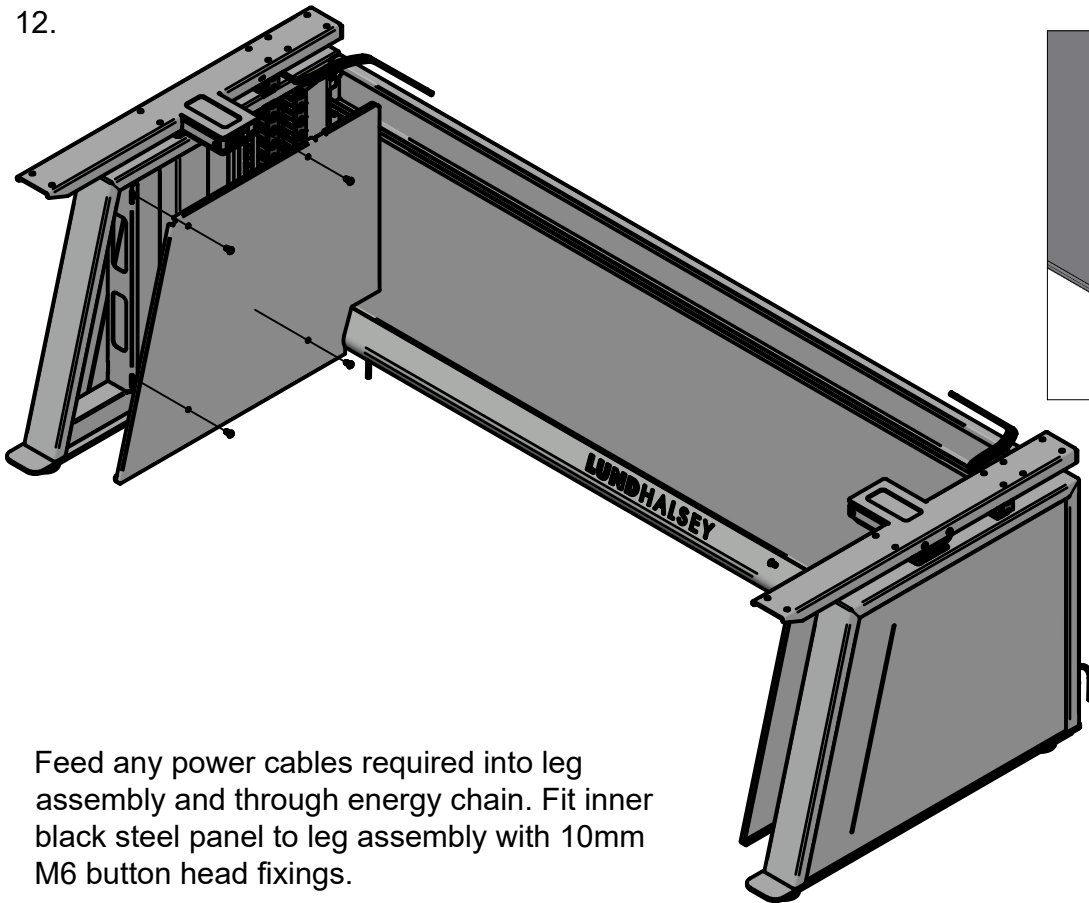
Fit cable cap to rear of leg assembly. Repeat steps 1 to 9 for opposite leg assembly.



If Bridging cabinets are being used please refer to Bridging cabinet assembly instructions

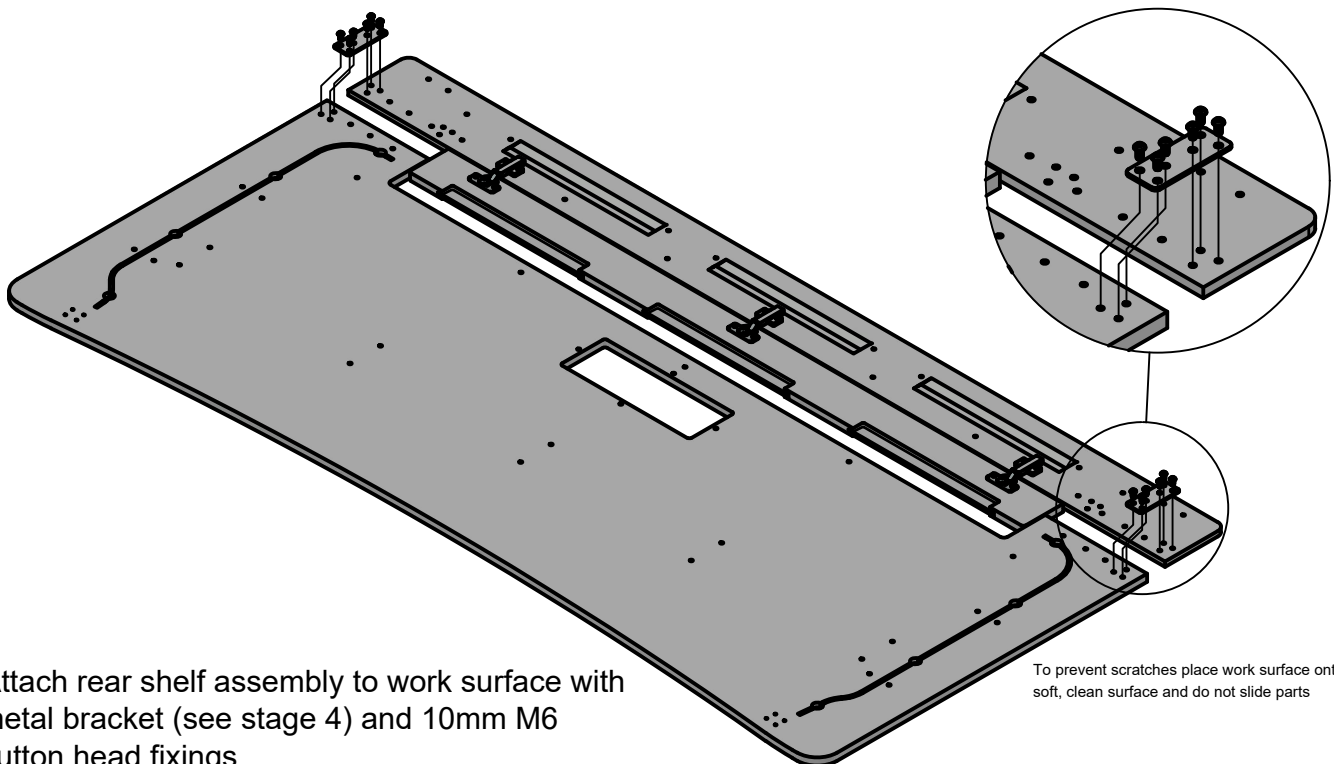
Attach both leg assemblies to large modesty panel with 25mm M8 button head fixings with 15mm M8 spacer and 10mm M6 button head fixings. Attach small (top) modesty panel to leg assemblies using M6 thumbscrews (do not over tighten).

12.



Feed any power cables required into leg assembly and through energy chain. Fit inner black steel panel to leg assembly with 10mm M6 button head fixings.

13.

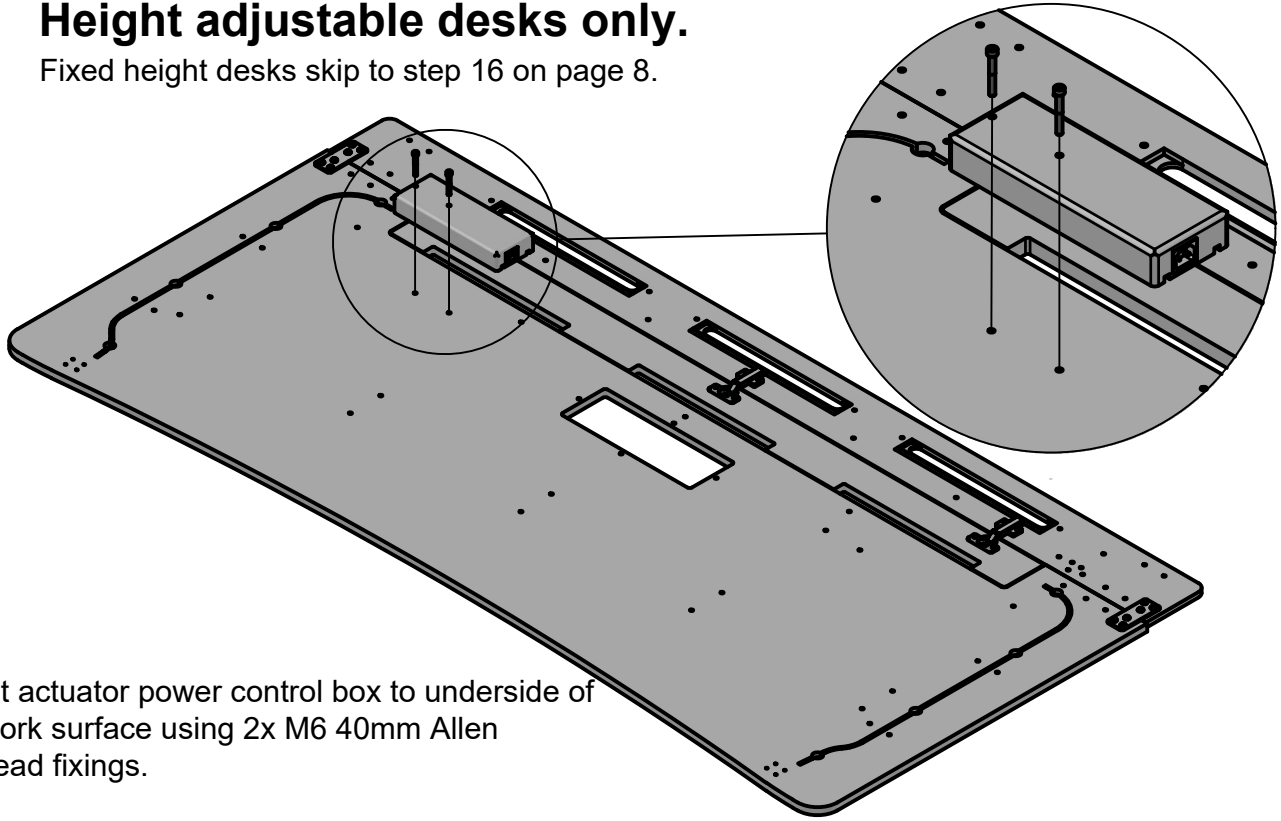


Attach rear shelf assembly to work surface with metal bracket (see stage 4) and 10mm M6 button head fixings.

To prevent scratches place work surface onto a soft, clean surface and do not slide parts

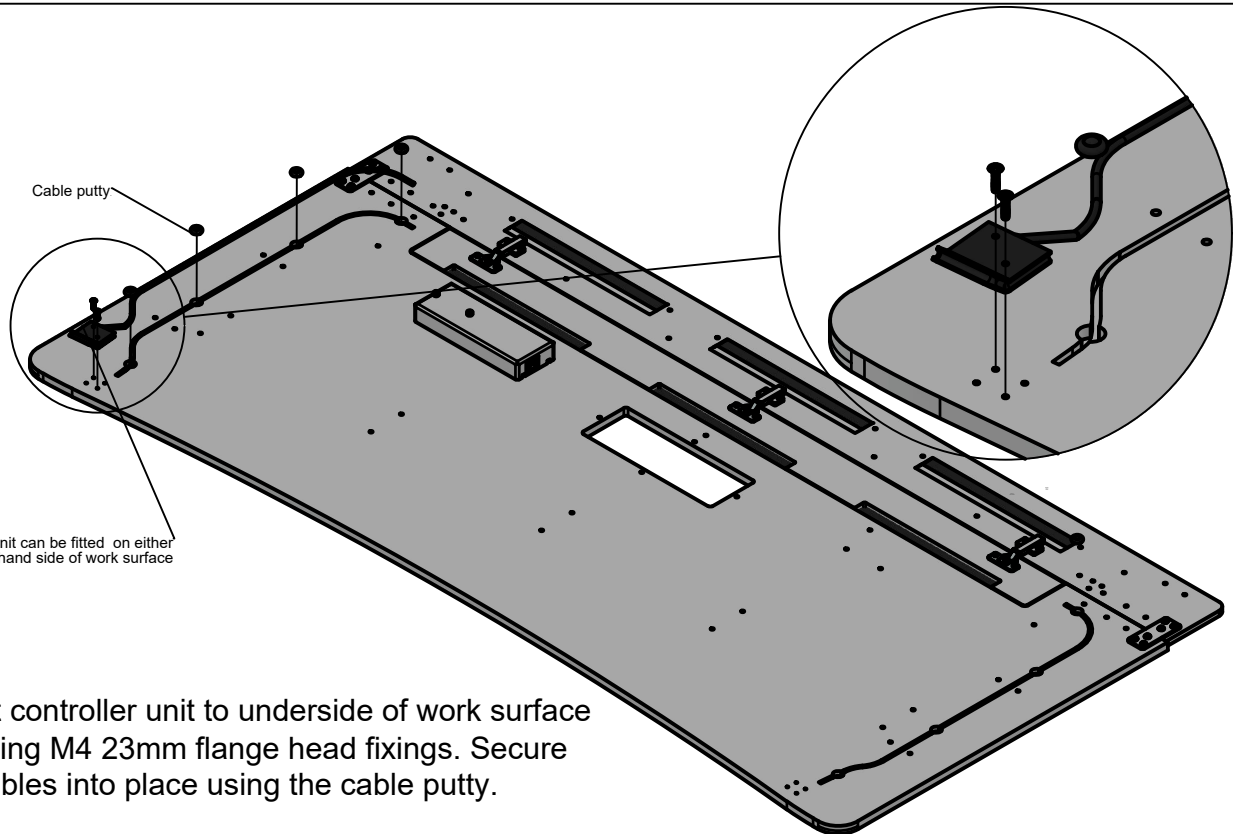
## Height adjustable desks only.

14. Fixed height desks skip to step 16 on page 8.



Fit actuator power control box to underside of work surface using 2x M6 40mm Allen head fixings.

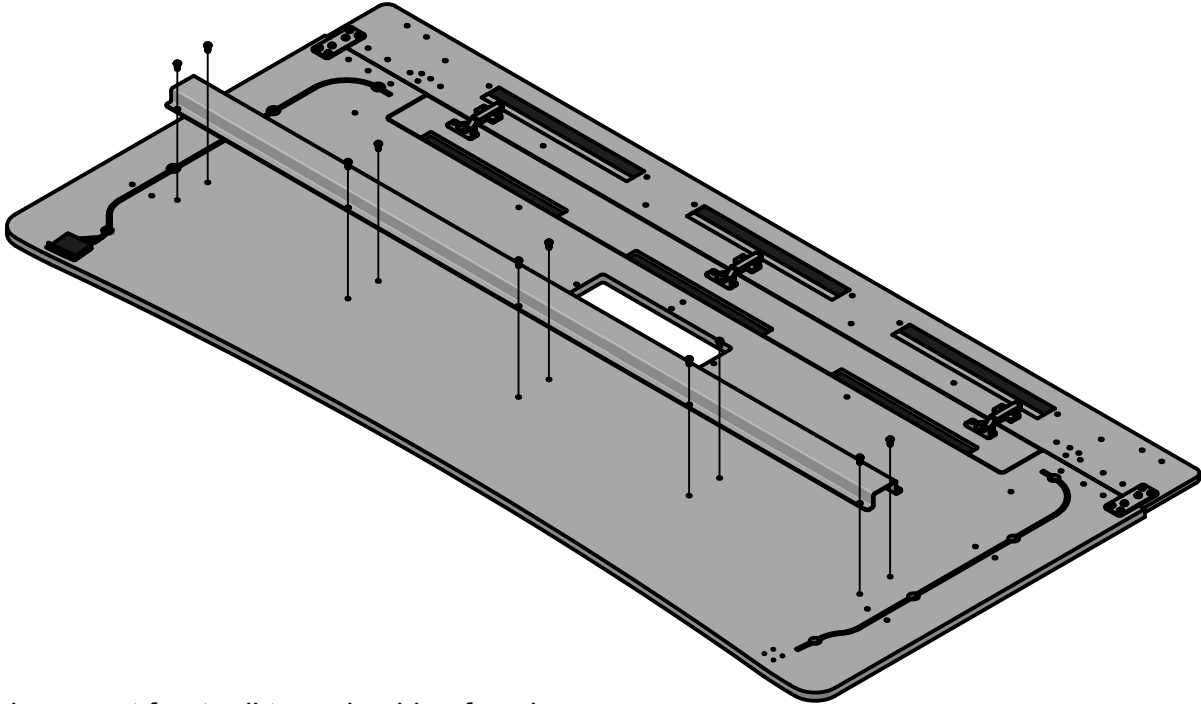
15.



Controller unit can be fitted on either left or right hand side of work surface

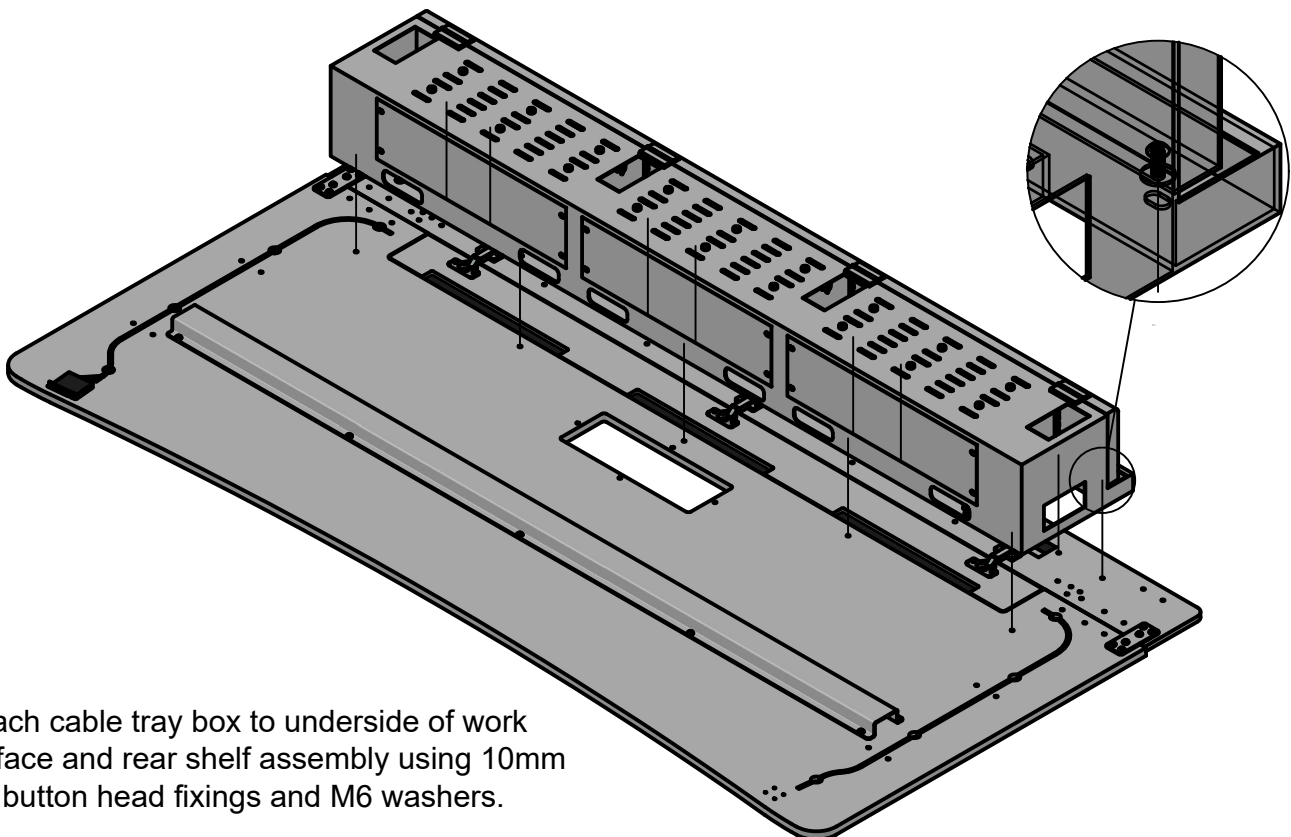
Fit controller unit to underside of work surface using M4 23mm flange head fixings. Secure cables into place using the cable putty.

16



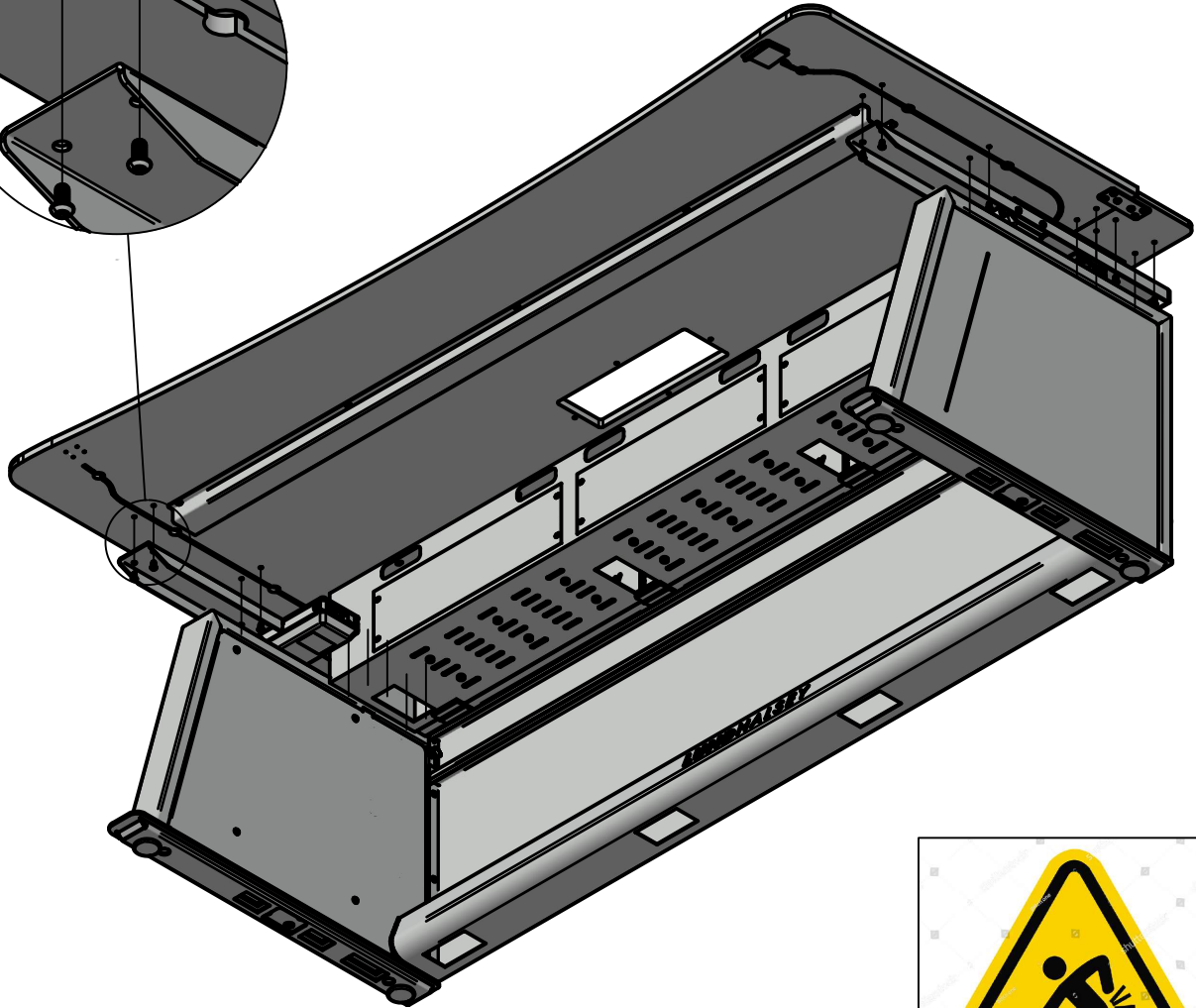
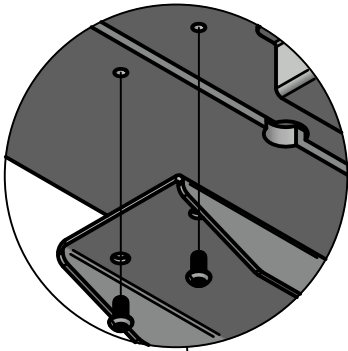
Attach support front rail to underside of work surface using 10mm M6 button head fixings.

17



Attach cable tray box to underside of work surface and rear shelf assembly using 10mm M6 button head fixings and M6 washers.

18.



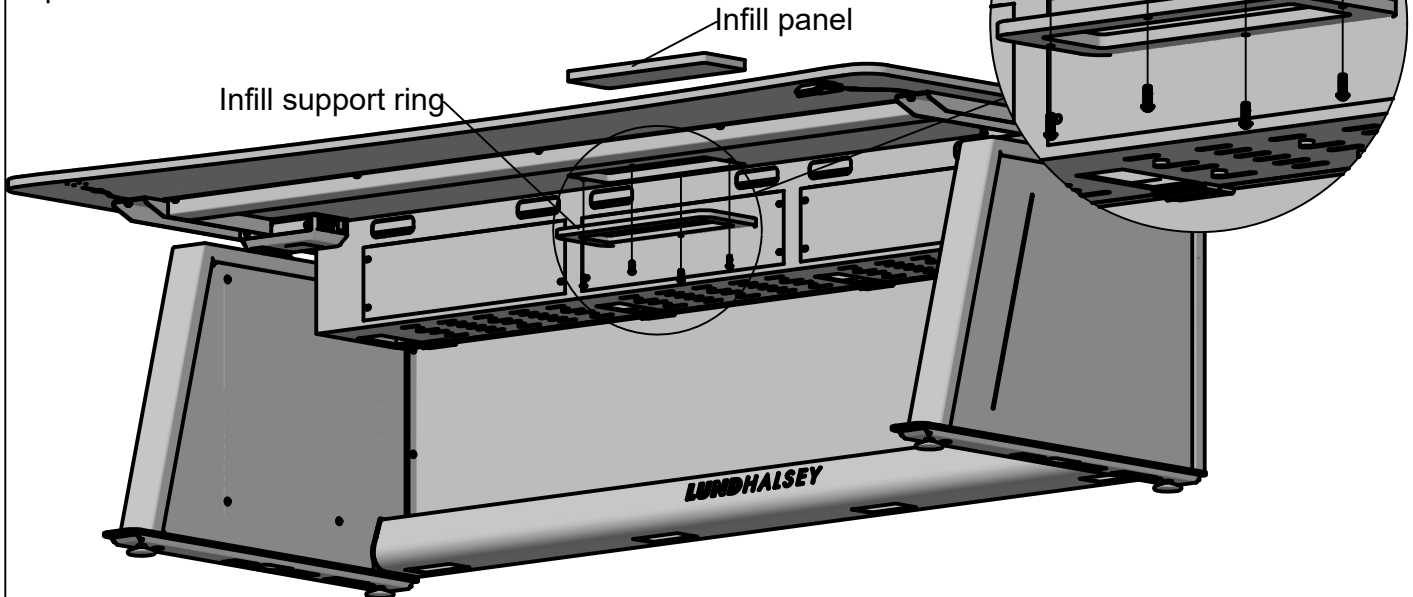
**Warning! Heavy items require at least 2 people to lift.**

Turn work surface and cable tray box assembly over and fit to leg and modesty assembly using 10mm M6 button head fixings.

19a

## Desks without Kontrol Touch power dock.

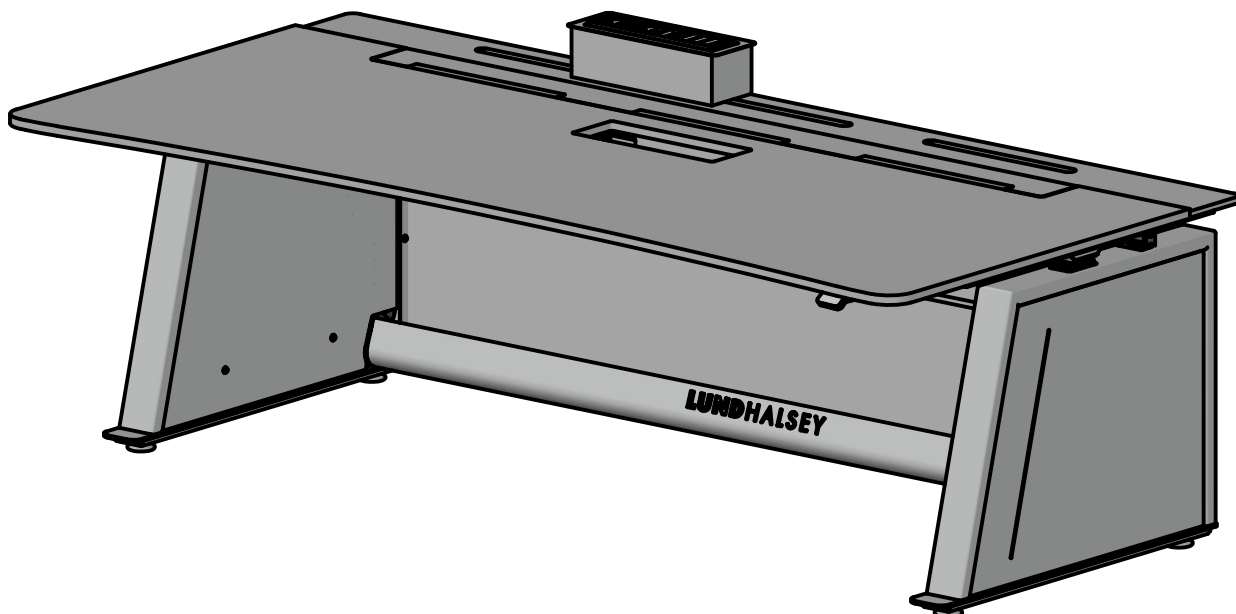
Fit infill support ring to underside of worktop with M4 x 20mm fixing and drop infill panel into place.



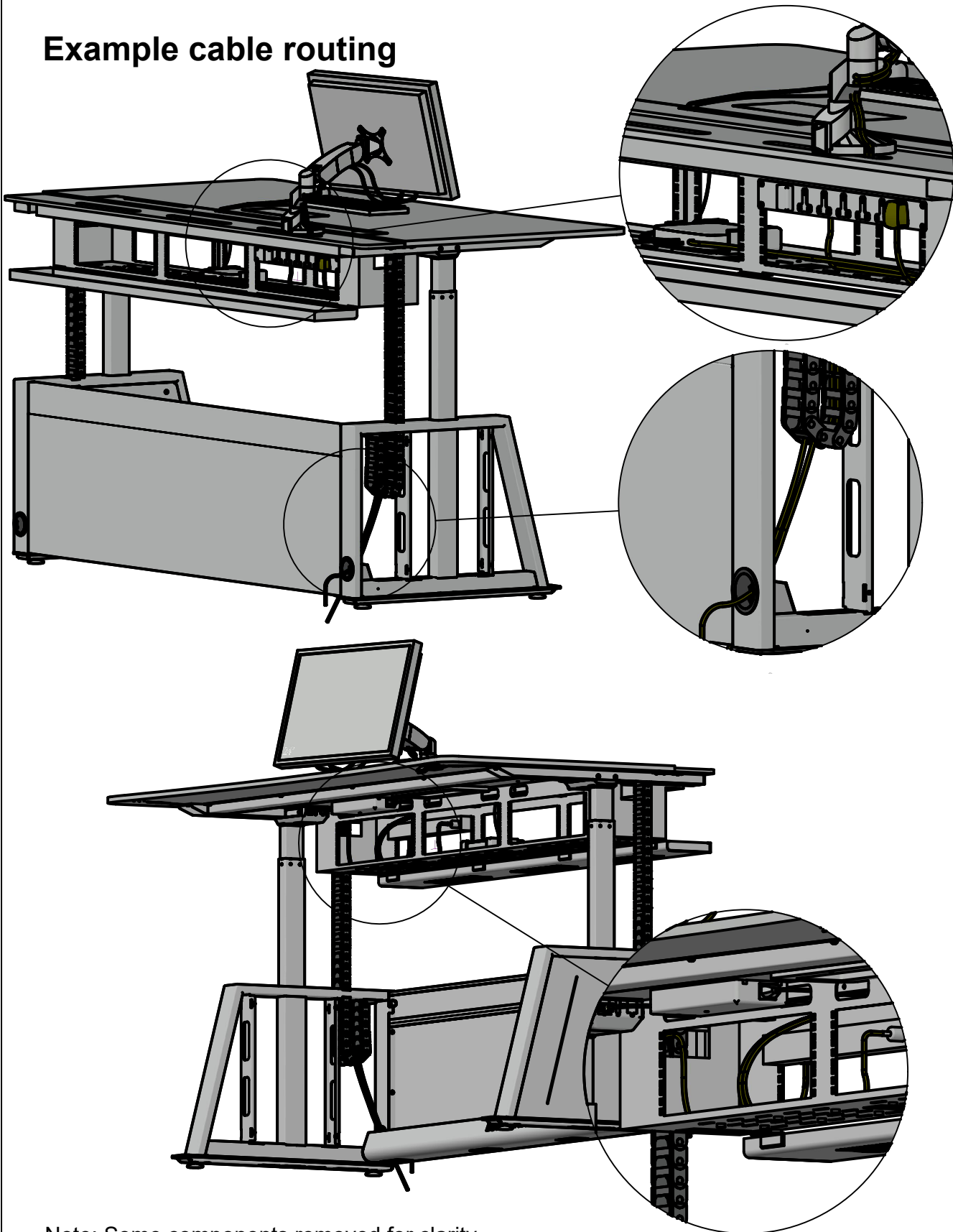
19b

## Desks with Kontrol Touch power dock.

Remove infill panel and support ring if previously fitted and drop Kontrol Touch power dock into place.

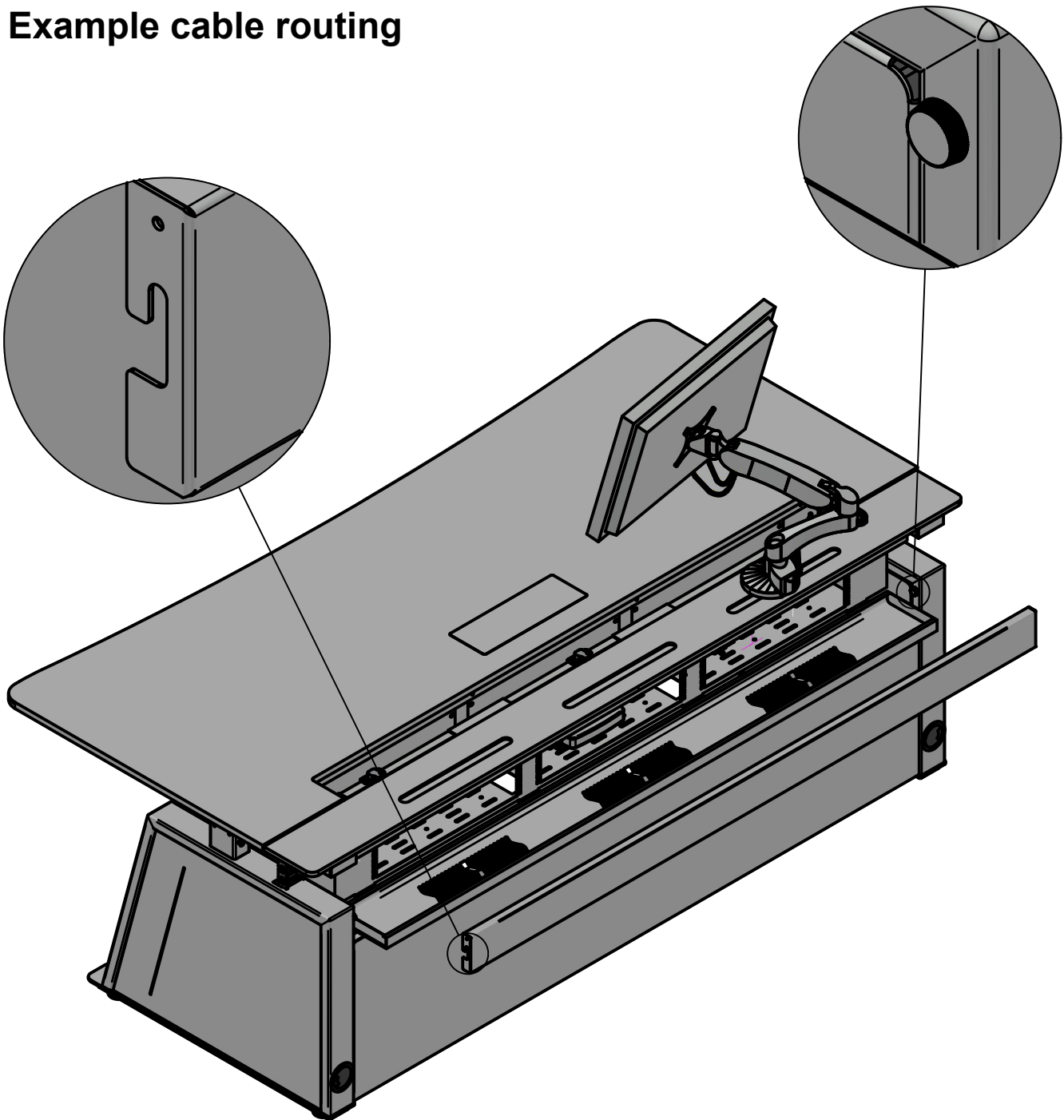


## Example cable routing



Note: Some components removed for clarity.

## Example cable routing



On fixed height desks and height adjustable desks in the lower position access to cable tray box rear door can be achieved by loosening thumbscrews and removing small modesty panel.