

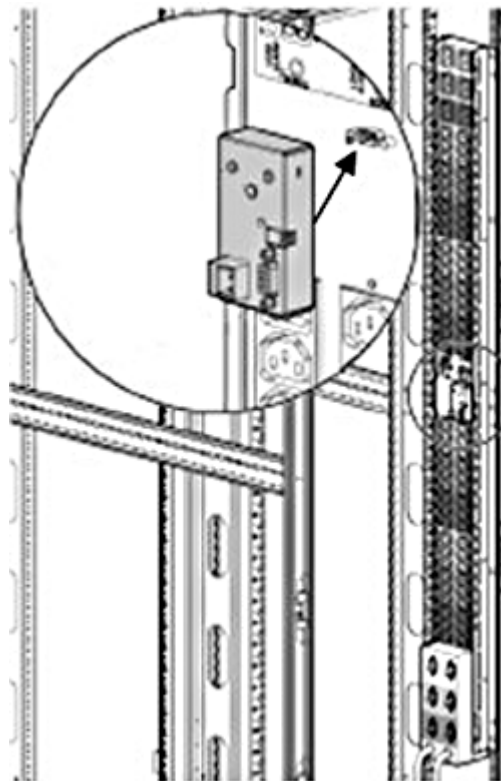
Overview

The HP PDU Management Module enables you to monitor and manage power environments through comprehensive control of individual HP PDUs.

- Access the management module:
 - Remotely through a Web browser.
 - Remotely through a Telnet session.
 - Locally through a terminal emulation program.

The management module can be configured to send alert traps to HP Systems Insight Manager and other SNMP management programs or used as a standalone management system. This flexibility enables you to monitor and manage with up to two PDUs through the network connector; the serial connector located on the front of the management module is only used for configuration. To facilitate day-to-day maintenance tasks, the firmware provides detailed system logs.

- Use the management module firmware to:
 - Customize alerts
 - Send email notification messages
 - Send SNMP traps
 - Monitor and manager PDUs
 - Manage independent PDU load segments to provide separate power control of connected equipment
 - Display text logs for analysis
 - Monitor the status of PDUs



Overview

Models

HP PDU Management Module

AF400A

Kit Contents

- Installation Guide
- Warranty Card
- Serial Cable, 6'

Product Highlights

- Use HP Systems Insight Manager to:
 - Discover management modules. As part of the discovery process, HP SIM can detect an installed management module. The web interface for the discovered module can be launched from the HPSIM Servers Links tab.
 - Receive SNMP traps from the management module. The module can send event-based traps to HPSIM that include a URL in the trap. This functionality enables administrators to easily launch the web interface of the module in context. For example, if the management module detects an alarm condition, the module can send a trap to HP SIM with an attached hyperlink that routes users directly to the Overview screen for the attached PDU.
 - Conveniently launch the management module web interface from within HP SIM.
 - Tools menu-Users can add a link to the web interface on the HP SIM Tools menu using a tools definition file.
 - Event-based trap-A URL is included in each trap to link directly from HP SIM to the Overview screen for the specific device for which the trap was sent.
 - Access to the management module can also be done by clicking on the Management Module link that is automatically created when the HP PDU Management Module is discovered by HPSIM.

Security Considerations

Overview

- The management module implements strict security for two important reasons:
 - The module monitors devices that have the potential to perform operations that are sensitive and destructive.
 - The management module has browser accessibility.
- To better ensure the security of the management module and the devices it manages, consider the following topics in accordance with your organization's security policies and the environment in which the module will operate.
 - Remote access to the management module requires a user account. Logging in requires the use of a user name and password, which should be kept properly secured.
 - Each account in can be given different access levels, providing different capabilities. Ensure that the appropriate access level is granted to users.
 - Browsing to the management module can be done using SSL, which encrypts the data between the browser and management module. The module is supported by a 128-bit encryption level. SSL also provides authentication of the management module by means of its digital certificate. Securely importing this certificate must be done to ensure the identification of the management module.

Web Interface Requirements

Software

Web Browser Client

Browser

- Microsoft® operating systems
- Microsoft Internet Explorer 6.0 with Service Pack 1 (32-bit only)
- Red Hat Linux operating system (32-bit only)
- Mozilla 1.4
- SUSE Linux operating system (32-bit only)
- Mozilla 1.6

Plug-in

Macromedia Flash Player 7.0 (available at the Macromedia website (<http://www.macromedia.com>))

Monitor Resolution

- Minimum supported resolution of 1024 x 768, 16-bit
- high color (maximize browser window for optimal display)

Service and Support, HP Care Pack, and Warranty Information

Warranty

HP PDU Management Modules are backed by a limited 3-year warranty

HP Care Pack Information For HP Care Pack (hardware & software) information, as well as orderable part numbers, please refer to the URL listed below:

<http://h18005.www1.hp.com/services/carepaq/index.html>

Related Options

HP Power Distribution Unit HP Monitored Power Distribution Unit: Full Rack Version

with Power Monitoring	HP 17.3 kVA S2324 Monitored PDU- dual input, 3-phase, 24A (NA/JPN)	370959-D71
	HP 8.3 kVA S1324 Monitored PDU- single input, 3-phase, 24A (NA/JPN)	370960-D71
	HP 16.6 kVA S2140 Monitored PDU- dual input, 1-phase, 40A (NA/JPN)	370961-D71
	HP 8.6 S1140 Monitored PDU- single input, 1-phase, 40A (NA/JPN)	370962-D71
	HP 22.1 kVA S2316 Monitored PDU- dual input, 3-phase, 16A (INTL)	370963-B31
	HP 11 kVA S 1316 Monitored PDU- single input, 3-phase, 16A (INTL)	370964-B31
	HP 14.7 kVA S2132 Monitored PDU- dual input, 1-phase, 32A (INTL)	370965-B31
	HP 7.4 kVA S1132 Monitored PDU- single input, 1-phase, 32A (INTL).	370966-B31

HP Monitored Power Distribution Unit: Half Rack Version

	HP 17.3 kVA S348 Monitored PDU- single input, 3Ø, 48A (NA/JPN)	AF916A
	HP 22 kVA S332 Monitored PDU- single input, 3-phase, 32A (INTL)	AF917A

Service and Support Offerings (HP Care Pack Services)	Hardware Installation (Electronic)	U2871E
--	------------------------------------	--------

Technical Specifications

Mechanical Dimensions (WxHxD)	1.625 x 3.125 x 1 in (4.128 x 7.938 x 2.54 cm)
Unit Weight	0.5 lb (.23 kg)
Shipping Dimensions (WxHxD)	8.5 x 2.3 x 9.7 in (21.59 x 5.84 x 24.62 cm)
Shipping Weight	1.3 lb (.59 kg)
Operating Temperature	212° to 932° F (100° to 500° C)
Operating Relative Humidity (%)	20% to 80 % relative humidity non-condensing
Operating Elevation	0 to 10,000 ft (0 to 3048 m)
Storage Temperature	212° to 932° F (100° to 500° C)
Storage Relative Humidity (%)	5% to 95 % relative humidity non-condensing
Storage Elevation	0 to 49,000 ft (0 to 14935 m)

Environment-friendly Products and Approach	End-of-life Management and Recycling	Hewlett-Packard offers end-of-life HP product return, trade-in, and recycling programs in many geographic areas. For trade-in information, please go to http://www.hp.com/go/green . To recycle your product, please go to: http://www.hp.com/go/green or contact your nearest HP sales office. Products returned to HP will be recycled, recovered or disposed of in a responsible manner. The EU WEEE directive (2002/95/EC) requires manufacturers to provide treatment information for each product type for use by treatment facilities. This information (product disassembly instructions) is posted on the Hewlett Packard web site at: http://www.hp.com/go/green . These instructions may be used by recyclers and other WEEE treatment facilities as well as HP OEM customers who integrate and re-sell HP equipment.
---	---	--

© Copyright 2007 Hewlett-Packard Development Company, L.P.

The information contained herein is subject to change without notice.

The only warranties for HP products and services are set forth in the express warranty statements accompanying such products and services. Nothing herein should be construed as constituting an additional warranty. HP shall not be liable for technical or editorial errors or omissions contained herein.