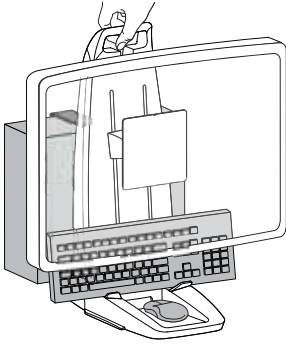


# Ergotron® Neo-Flex™

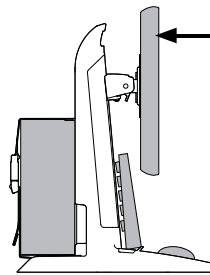
Dimensional &  
Range of Motion  
Illustrations

## Neo-Flex All-In-One Lift Stands



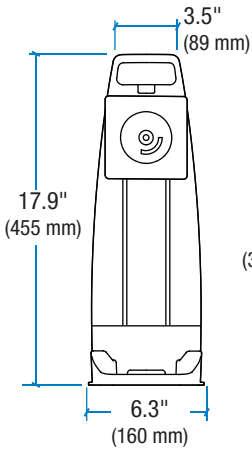
Maximum dimensions of CPU or console:  
14" x 4" (356 x 101 mm)  
-or- circumference of 36" (914 mm)  
Minimum dimensions of CPU or console:  
7" x 1.8" (178 x 46 mm)  
-or- circumference of 17.6" (447 mm)

Weight Capacity:

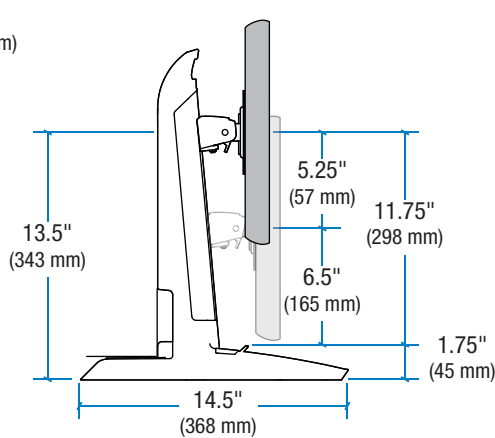


Weight Capacity  
for Display:  
**6 - 16 lbs**  
(2.7 - 7.2 kg)

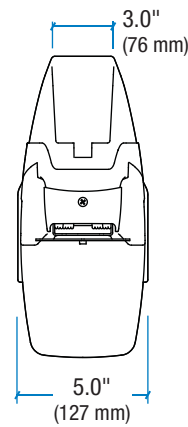
Total Maximum Weight  
Capacity for Stand:  
(includes display, CPU,  
keyboard and mouse) **37 lbs**  
(16.7 kg)



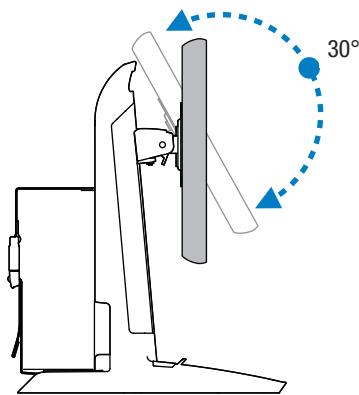
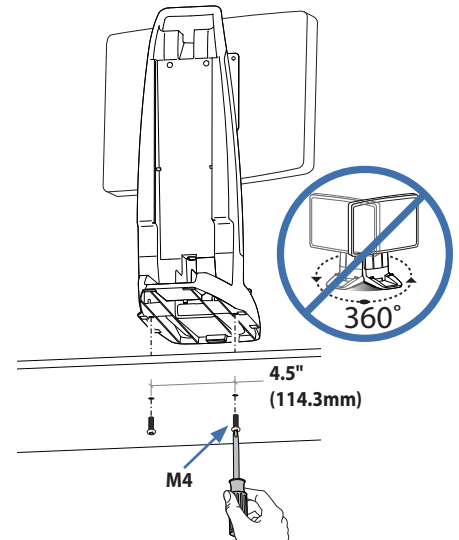
Front View



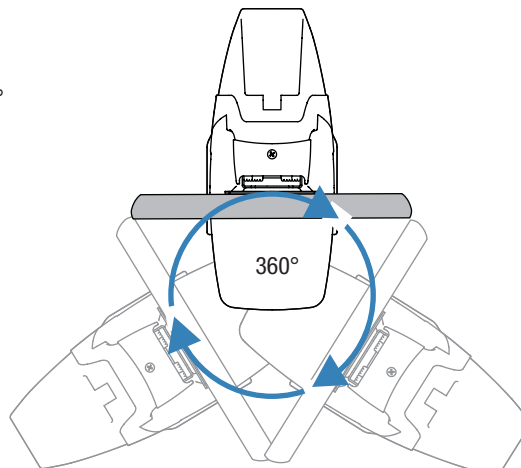
Side View



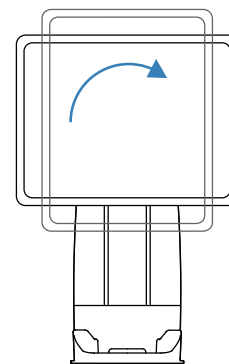
Top View



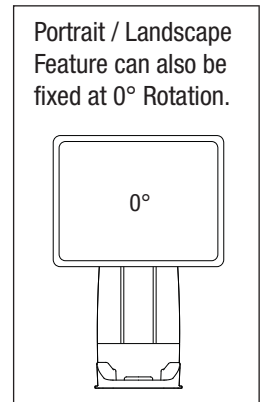
Side View



Top View



Front View



© 2010 Ergotron, Inc. rev. 12/08/2010 DIM-074-D Content is subject to change without notification

### Americas Sales and Corporate Headquarters

St. Paul, MN USA  
(800) 888-8458  
+1-651-681-7600  
www.ergotron.com  
sales@ergotron.com

### EMEA Sales

Amersfoort, The Netherlands  
+31 33 45 45 600  
www.ergotron.com  
info.eu@ergotron.com

### APAC Sales

Tokyo, Japan  
www.ergotron.com  
apaccustomerservice@ergotron.com

### Worldwide OEM Sales

www.ergotron.com  
info.oem@ergotron.com

